

BUILT-TO-LAST HYDRAULIC TOOLS FROM RACINE RAILROAD PRODUCTS

Operator Comfort & Safety

The patented handle & trigger design allows comfortable operation in either horizontal or vertical positions. Integrated trigger guard accommodates large gloved hands while preventing accidental engagement. Overspeed valve protects motor and stone from excessive RPM. Assist handle provides good control and leverage.

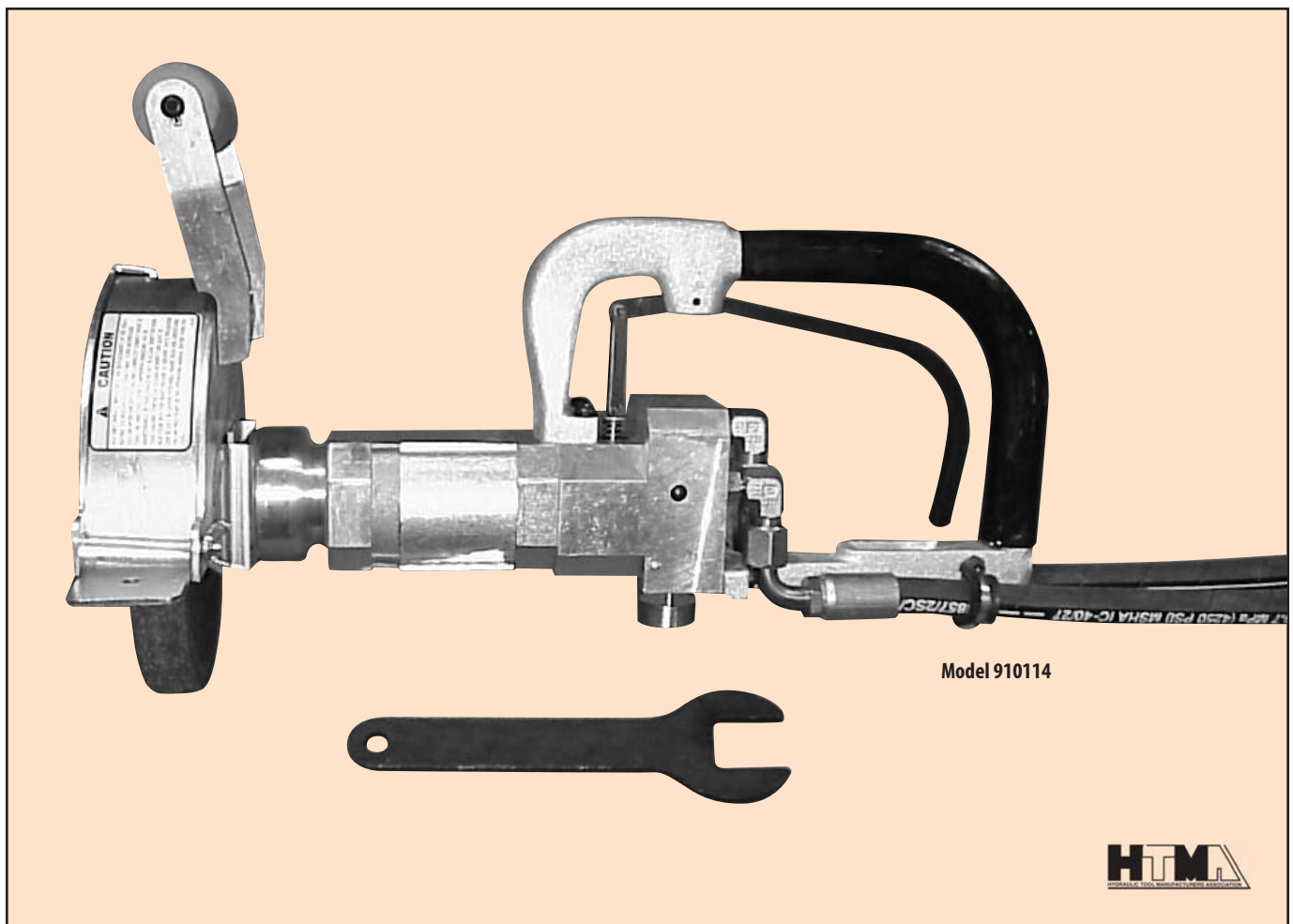
Versatile

Clockwise or counterclockwise rotation available for either left or right handed operators.

Lightweight & Powerful

Weighing 15 lbs, the powerful 10 GPM motor @ 2000 PSI delivers plenty of grinding power for most grinding applications.

Model 910114	
Flow	5-10 GPM
Pressure	2000 PSI
Height	10.5 in.
Width	10 in.
Length	16 in.
Weight	15 lbs.



Visit our web site: www.racinerailroad.com

For a complete list of specifications and machine options available, contact
Racine Railroad Products at: Tel (262) 637-9681 • Fax (262) 637-9069 • email: custserv@racinerailroad.com
1524 Frederick Street • Racine, Wisconsin 53404