



INNOVATIVE DESIGN FROM RACINE RAILROAD PRODUCTS

**The Ride-On Regauge Adzer is utilized for adzing ties on re-gauge projects utilizing a high-speed 1-7/16" mill type cutter.**

### Applications

Specifically designed for Curve Gangs where re-gauging rail is only required.

### Precise Cut Positioning

Uses proportional controls for precise placement of the Workhead. Workhead traverses side to side or up and down. Equipped with a laser to project the cutting pattern onto the ties for more accurate cuts.

### Cuts Either Rail Seat

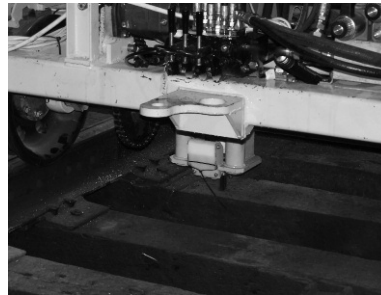
The workhead has full latitude run to adz either rail seat without having to turn the machine around.

### Excellent Visibility

Workhead resides in a large open area for better visibility. Plexiglas barrier prevents wood chips and rock from entering the cab.

### Lightweight

At just 5,800 lbs, the machine can easily be moved on/off track by a speed swing, excavator or front end loader.



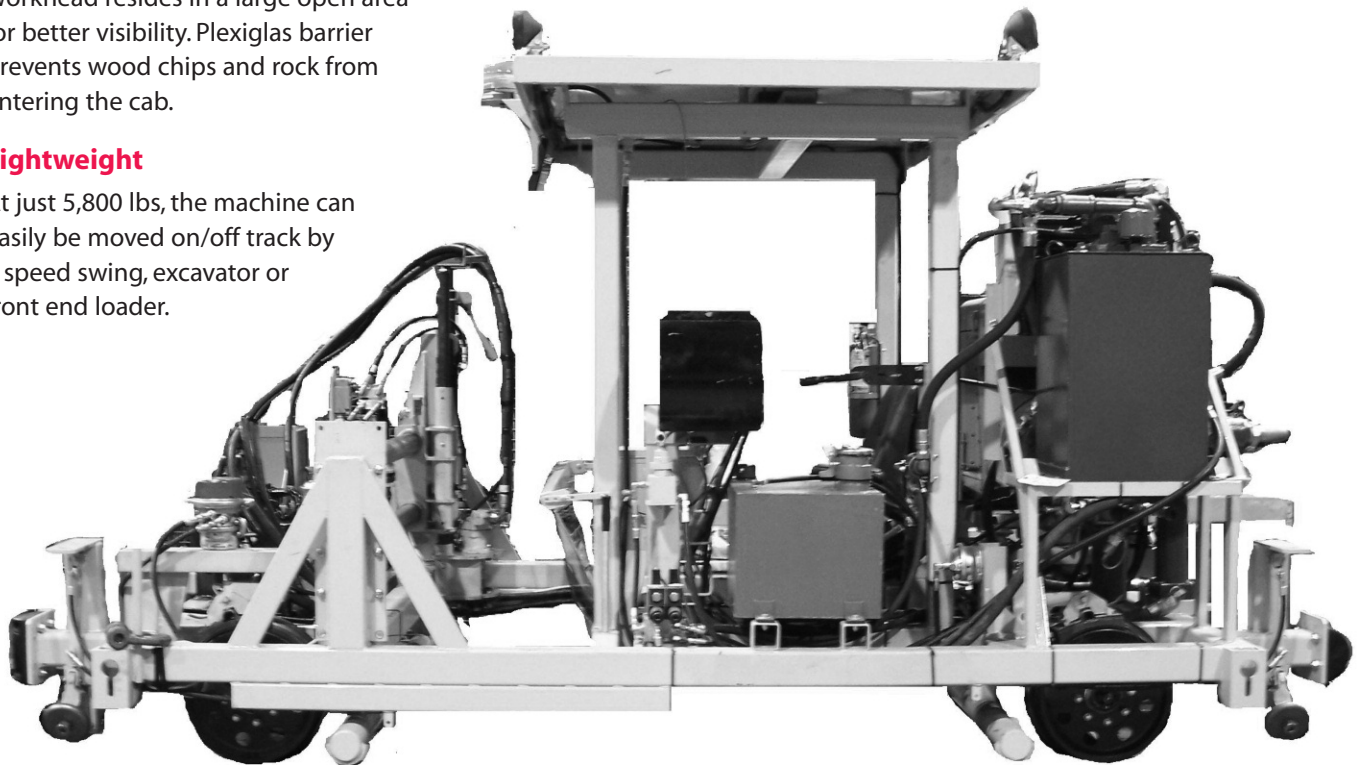
Adzer workhead



Excellent visibility

### PRODUCT SPECIFICATIONS:

- Engine: Hatz 2L41C Diesel
- Fuel capacity: 15 gal
- Hydraulic capacity: 25 gal
- Dimensions: 157" L x 85" W x 88" H, 5,800 lbs



**Visit our web site: [www.racinerailroad.com](http://www.racinerailroad.com)**

For a complete list of specifications and machine options available, contact  
Racine Railroad Products at: Tel (262) 637-9681 • Fax (262) 637-9069 • email: [custserv@racinerailroad.com](mailto:custserv@racinerailroad.com)  
1524 Frederick Street • Racine, Wisconsin 53404