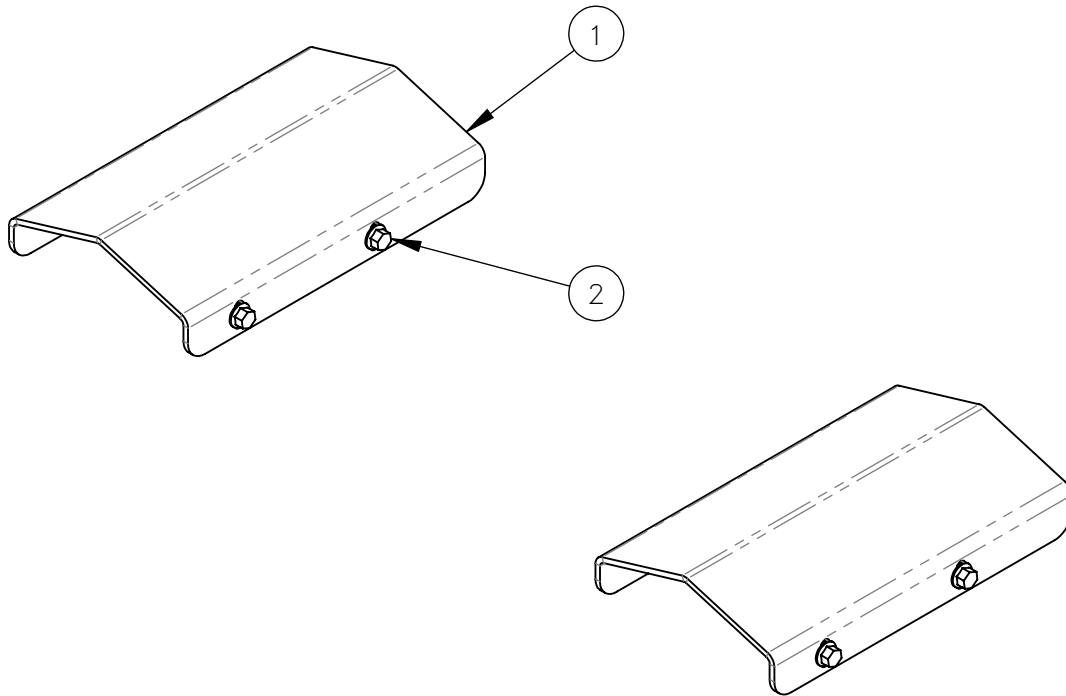


NO.	QTY	DESCRIPTION	PART NO.
1	2	COVER	318586
2	8	SCR, HEX FLG: .25-20 X .5	491539
3	1	INSTRUCTIONS, JACKSTAND GUARD	800268

DWG NO

793005



REV	EN	DESCRIPTION	DATE	DRN
1	3010	NEW RELEASE	3-18	MSO

DIMENSION TOLERANCES UNLESS OTHERWISE SPECIFIED

LINEAR	.XX=±.03	.XXX=±.010
ANGULAR	X°=±1°	X.X°=±.5°

SURFACE FINISH 125/ ✓ SMOOTH ALL SHARP EDGES
NOT TO EXCEED CLEAN ALL WELDS

THIS PRINT AND ALL INFORMATION WITHIN
BELONGS TO RACINE RAILROAD PRODUCTS

RACINE RAILROAD PRODUCTS

RACINE, WISCONSIN USA

DESCRIPTION
KIT, JACKSTAND GUARD

MATERIAL
SEE BOM

USED ON	SCALE	DATE
	1:4	03-21-18

DRN	CHK	APP	JOB NO	SHEET
MSO			RD150003	1 OF 1

EXP NO	DWG NO
	793005