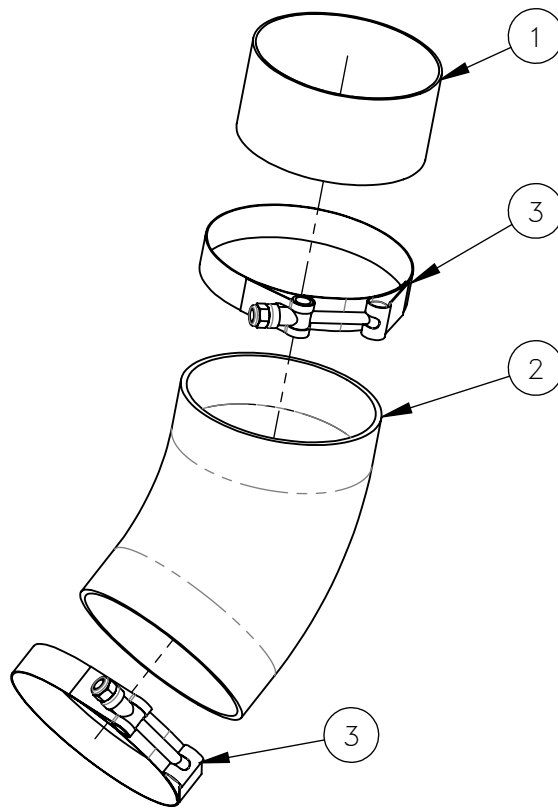


NO.	QTY	DESCRIPTION	PART NO.
1	1	TUBE	319409
2	1	ELBOW, 45°: 4 ID HOSE	473879
3	2	CLAMP, HOSE: 4 DIA	473883
4	1	INSTRUCTIONS, AIR INTAKE	800299

DWG NO

793038



REV	EN	DESCRIPTION	DATE	DRN
1	3592	NEW RELEASE	10-18	MSO

DIMENSION TOLERANCES UNLESS OTHERWISE SPECIFIED

LINEAR	.XX=±.03	.XXX=±.010
ANGULAR	X°=±1°	X.X°=±.5°

SURFACE FINISH 125/ ✓ SMOOTH ALL SHARP EDGES
NOT TO EXCEED CLEAN ALL WELDS

THIS PRINT AND ALL INFORMATION WITHIN
BELONGS TO RACINE RAILROAD PRODUCTS

RACINE RAILROAD PRODUCTS

RACINE, WISCONSIN USA

DESCRIPTION

KIT, AIR INTAKE

MATERIAL

SEE BOM

USED ON	SCALE	DATE
718433	1:4	10-04-18

DRN	CHK	APP	JOB NO	SHEET
MSO			RD150003	1 OF 1

EXP NO	DWG NO
	793038