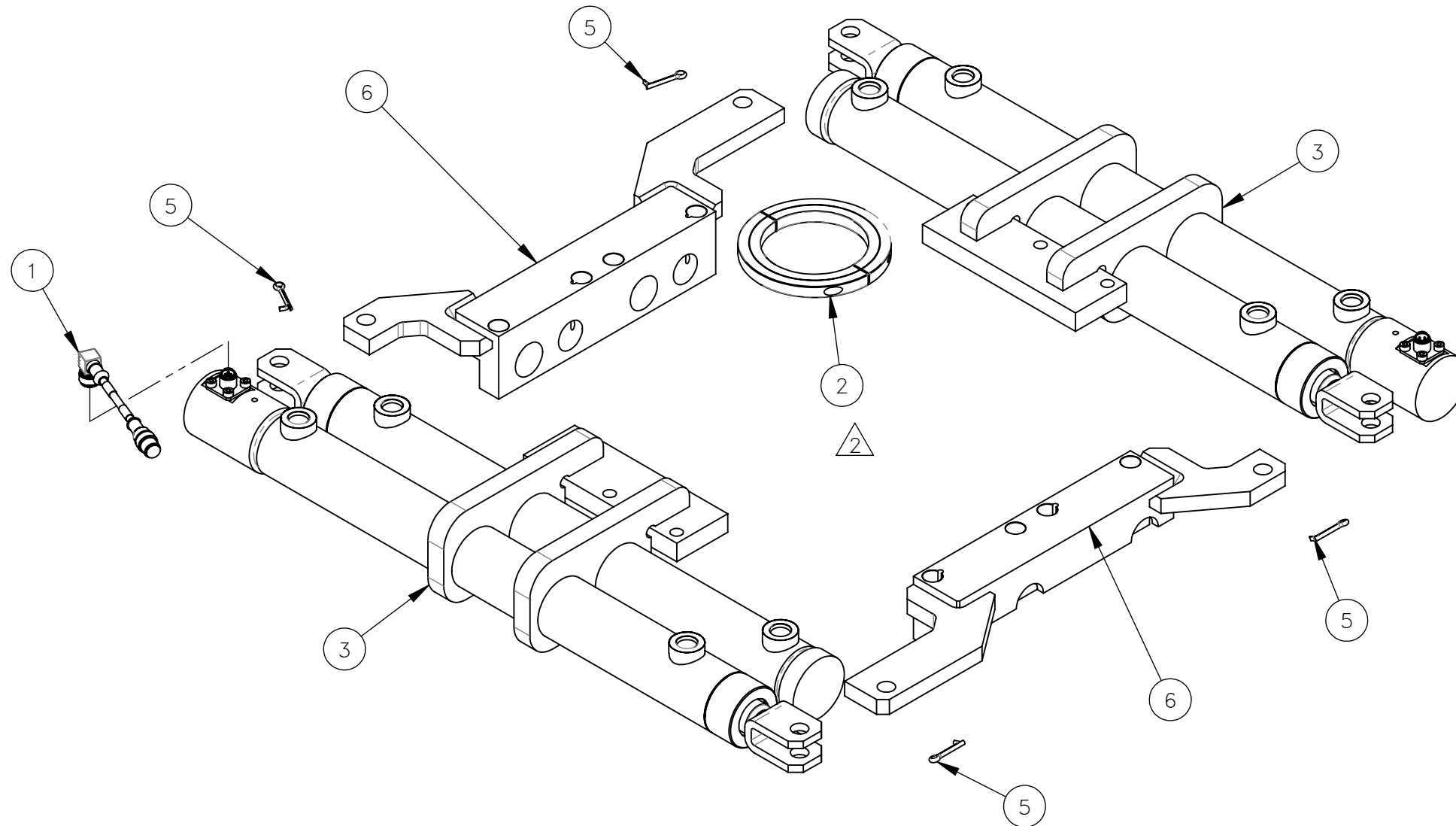


NO.	QTY	DESCRIPTION	PART NO.
1	1	CABLE, MICRO: 5 PIN(M) X 5 PIN(F) 90° .6 M	468270
2	1	COLLAR, SPLIT: 3 DOUBLE	472288
3	2	CYLINDERS, HYDR: 1.5 X 14.75	471962
4	1	INSTRUCTIONS, PUSH TOOL	800301
5	4	PIN, COTTER: .12 X 1	400900
6	2	PUSHER	780834



REV	EN	DESCRIPTION	DATE	DRN
1	3665	NEW RELEASE	10-18	MSO
2	3707	ADD 472288	11-18	MSO

DIMENSION TOLERANCES UNLESS OTHERWISE SPECIFIED

LINEAR	.XX=±.03	.XXX=±.010
ANGULAR	X°=±1°	X.X°=±.5°

SURFACE FINISH 125/✓ SMOOTH ALL SHARP EDGES  
NOT TO EXCEED CLEAN ALL WELDS

THIS PRINT AND ALL INFORMATION WITHIN BELONGS TO RACINE RAILROAD PRODUCTS

**RACINE RAILROAD PRODUCTS**  
RACINE, WISCONSIN USA

DESCRIPTION  
KIT, PUSH TOOL

MATERIAL  
SEE BOM

USED ON	915574	SCALE	1:4	DATE	10-25-18
---------	--------	-------	-----	------	----------

DRN	MSO	CHK	APP	JOB NO	RD150003	SHEET	1 OF 1
-----	-----	-----	-----	--------	----------	-------	--------

EXP NO	DWG NO	793040
--------	--------	--------