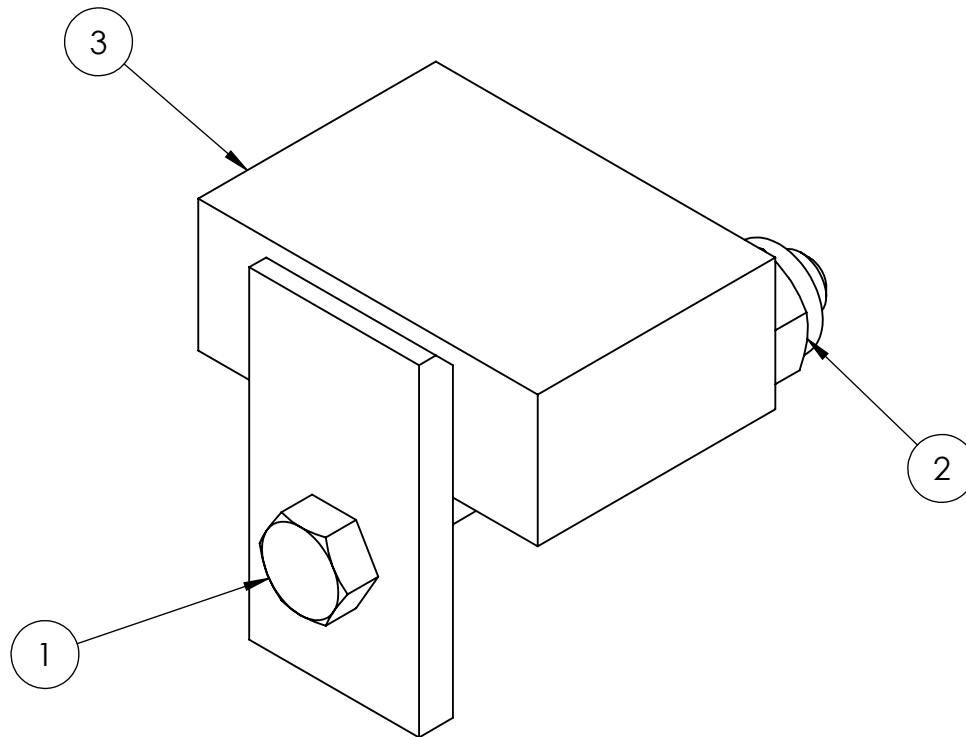


NO.	QTY	DESCRIPTION	PART NO.
1	1	SCR, HEX: .38-16 X 3.5	400715
2	1	NUT, HEX ES: .38-16 HVY	404401
3	1	STOP, FLOAT FRAME	782255
4	1	INSTRUCTIONS, FLOAT FRAME STOP	800306

DWG NO

793043



REV	EN	DESCRIPTION	DATE	DRN
1	3781	NEW RELEASE	12-18	MAI
2	6201	ADD 400715, 40401,782255	4-22	PR

DIMENSION TOLERANCES UNLESS OTHERWISE SPECIFIED

LINEAR	.XX=±.03	.XXX=±.010
ANGULAR	X°=±1°	X.X°=±.5°

SURFACE FINISH 125/ ✓ SMOOTH ALL SHARP EDGES
NOT TO EXCEED ✓ CLEAN ALL WELDS

THIS PRINT AND ALL INFORMATION WITHIN
BELONGS TO RACINE RAILROAD PRODUCTS

RACINE RAILROAD PRODUCTS

RACINE, WISCONSIN USA

DESCRIPTION

KIT, FLOAT FRAME STOP

MATERIAL

SEE BOM

USED ON	SCALE	DATE
914570	1:1	12-13-18

DRN	CHK	APP	JOB NO	SHEET
MI			RD140001	1 OF 1

DWG SIZE	CATALOG	DWG NO
A	K	793043