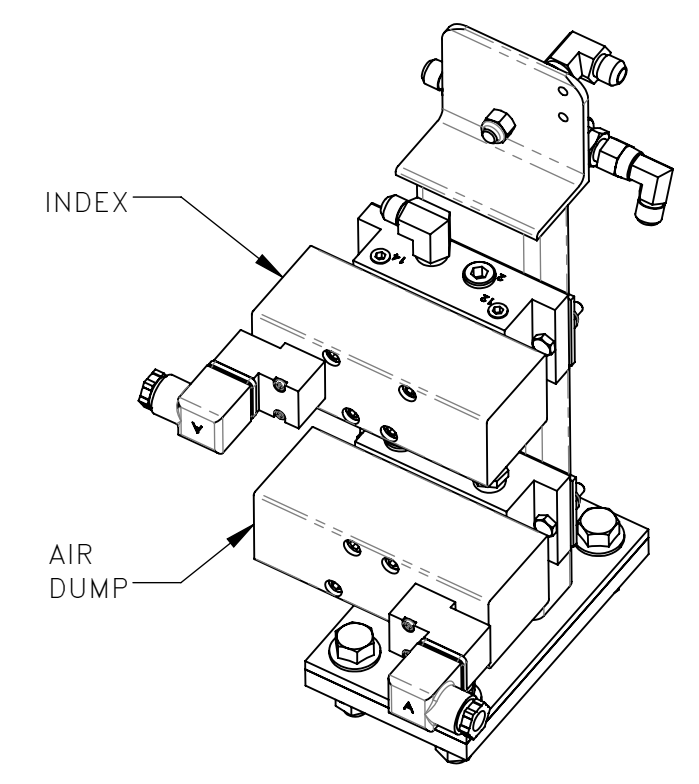


NO.	QTY	DESCRIPTION	PART NO.
1	1	FLAT	318304
2	4	SCR, HEX: .25-20 X 1.25	400687
3	1	SCR, HEX: .38-16 X 1	400717
4	3	PLUG, .12 NPT(M)	400922
5	3	PLUG, .38 NPT(M)	400930
6	1	NUT, HEX ES: .38-16	450577
7	1	BREATHER, .38 NPT	456604
8	2	ELBOW, 90°: #6 JIC(M) X #6 JIC(F)	459905
9	2	ELBOW, 90°: #4 JIC(M) X #4 JIC(F)	459906
10	5	ELBOW, 90°: .38 NPT(M) X #6 JIC(M)	459996
11	1	TEE, #4 JIC(M) X #4 JIC(F) X #4 JIC(M)	460003
12	1	TEE, #6 JIC(M) X #6 JIC(F) X #6 JIC(M)	460158
13	2	ADAPTER, .38 NPT(M) X #6 JIC(M)	460159
14	1	HOSE ASSY, #6 X 95 AIR	460212
15	1	ADAPTER, .12 NPT(M) X #4 JIC(M)	461112
16	1	VALVE, SHUTTLE	462554
17	1	VALVE, CONTROL	468288
18	2	BASE, CONTROL VALVE	468289
19	1	HOSE ASSY, #6 X 72 AIR	469013
20	1	HOSE ASSY, #6 X 91 AIR	469016
21	1	HOSE ASSY, #6 X 12 AIR	469552
22	1	VALVE, CONTROL	472046
23	2	CABLE, MICRO: 4 PIN DEUTSCH X DIN 43650 A 3 M	472622
24	2	MUFFLER, AIR: .38 NPT(M)	473083
25	4	SCR, HEX FLG: .5-13 X 1.75	491047
26	4	NUT, HEX ES: .25-20	491232
27	4	NUT, HEX FLG: .5-13	491487
28	1	BRACKET, AIR VALVES	781518
29	1	INSTRUCTIONS, INDEXING SERVICE BRAKE VALVES	800312



REV	EN	DESCRIPTION	DATE	DRN
1	3864	NEW RELEASE	2-19	MSO

DIMENSION TOLERANCES UNLESS OTHERWISE SPECIFIED

LINEAR	.XX=±.03	.XXX=±.010
ANGULAR	X°=±1°	X.X°=±.5°

SURFACE FINISH 125 ✓ SMOOTH ALL SHARP EDGES
NOT TO EXCEED CLEAN ALL WELDS

THIS PRINT AND ALL INFORMATION WITHIN
BELONGS TO RACINE RAILROAD PRODUCTS

RACINE RAILROAD PRODUCTS
RACINE, WISCONSIN USA

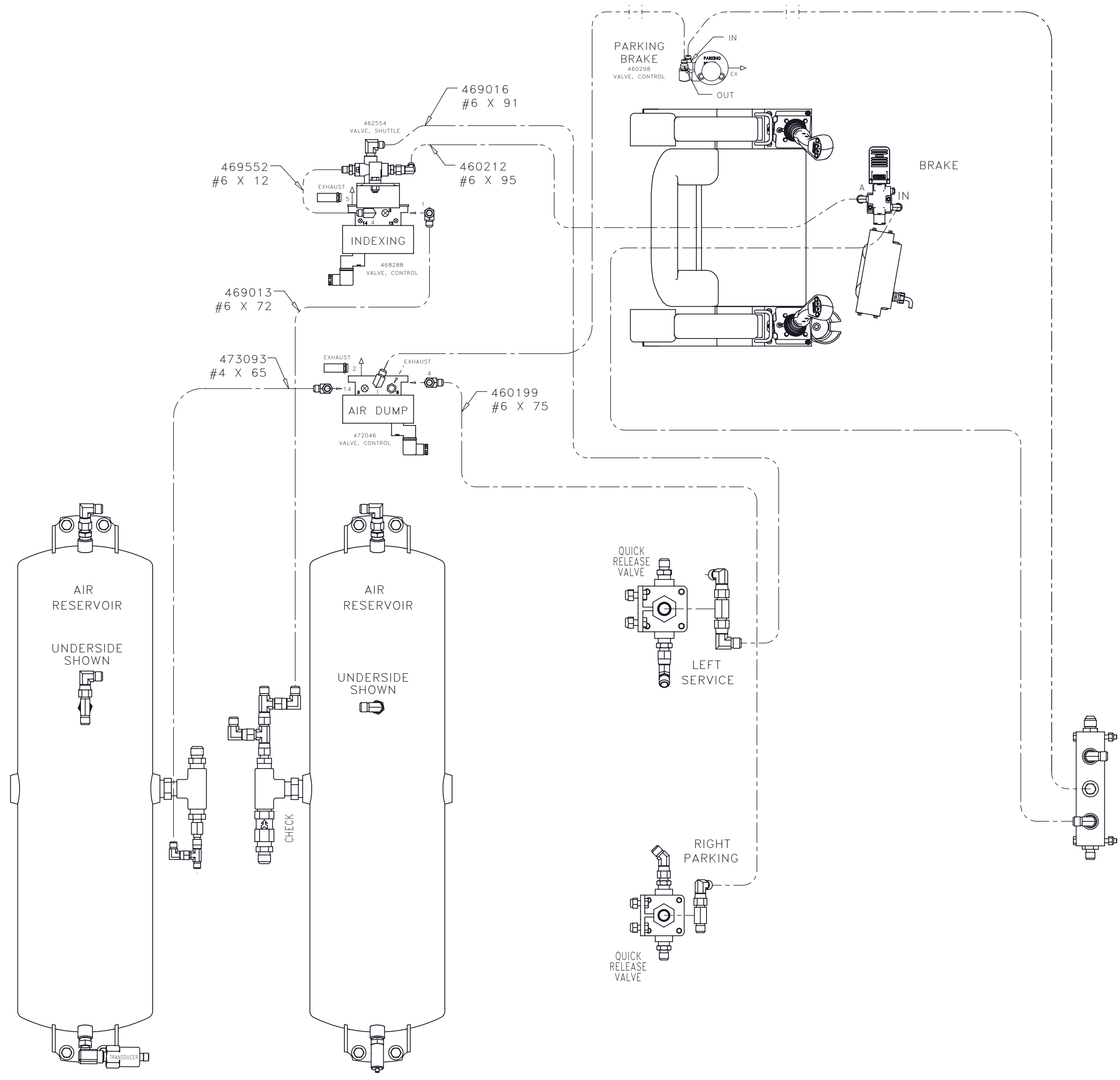
DESCRIPTION
KIT, INDEXING SERVICE BRAKE
VALVES

MATERIAL
SEE BOM

USED ON	935574	SCALE	1:2	DATE	02-05-19
---------	--------	-------	-----	------	----------

DRN	MSO	CHK	APP	JOB NO	RD150003	SHEET	1 OF 2
-----	-----	-----	-----	--------	----------	-------	--------

DWG SIZE	C	CATALOG	K	DWG NO	793048
----------	---	---------	---	--------	--------



REV	EN	DESCRIPTION	DATE	DRN
1	3864	NEW RELEASE	2-19	MSO
DIMENSION TOLERANCES UNLESS OTHERWISE SPECIFIED				
LINEAR	.XX=±.03	.XXX=±.010		
ANGULAR	X°=±1°	X.X°=±.5°		
SURFACE FINISH NOT TO EXCEED	125 ✓	SMOOTH ALL SHARP EDGES	CLEAN ALL WELDS	
THIS PRINT AND ALL INFORMATION WITHIN BELONGS TO RACINE RAILROAD PRODUCTS				
RACINE RAILROAD PRODUCTS				
RACINE, WISCONSIN USA				
DESCRIPTION				
KIT, INDEXING SERVICE BRAKE VALVES				
MATERIAL				
SEE BOM				
USED ON		935574	SCALE	DATE
			1:2	02-05-19
DRN	CHK	APP	JOB NO	SHEET
MSO			RD150003	2 OF 2
DWG SIZE	CATALOG	DWG NO		
C	K	793048		