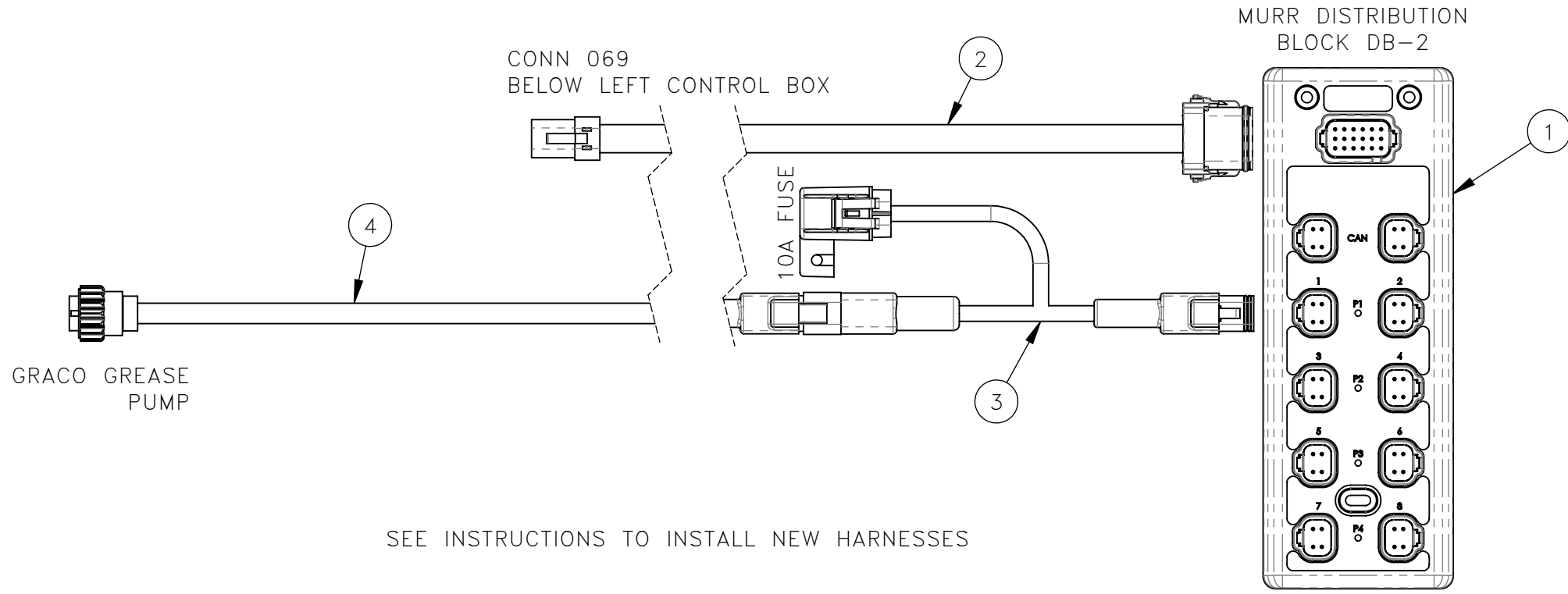


NO.	QTY	DESCRIPTION	PART NO.
1	1	BOX, DISTRIBUTION: 8 PORT	472535
2	1	WIRE HARNESS, DB POWER	719072
3	1	WIRE HARNESS, GRACO DC POWER	719722
4	1	WIRE HARNESS, GREASE PUMP	719732
5	1	INSTRUCTIONS, REPLACEMENT GREASE PUMP HARNESS	800333



SEE INSTRUCTIONS TO INSTALL NEW HARNESSES

REV	EN	DESCRIPTION	DATE	DRN
1	5039	NEW RELEASE	6-20	SAG
DIMENSION TOLERANCES UNLESS OTHERWISE SPECIFIED				
LINEAR		.XX=±.03	.XXX=±.010	
ANGULAR		X°=±1°	X.X°=±.5°	
SURFACE FINISH NOT TO EXCEED		125 ✓	SMOOTH ALL SHARP EDGES CLEAN ALL WELDS	
THIS PRINT AND ALL INFORMATION WITHIN BELONGS TO RACINE RAILROAD PRODUCTS				
<b>RACINE RAILROAD PRODUCTS</b> RACINE, WISCONSIN USA				
DESCRIPTION KIT, REPLACEMENT GREASE PUMP HARNESS				
MATERIAL SEE BOM				
USED ON			SCALE 1:3	DATE 06-02-20
DRN SG	CHK	APP	JOB NO RD150003	SHEET 1 OF 1
DWG SIZE B		CATALOG K	DWG NO 793086	