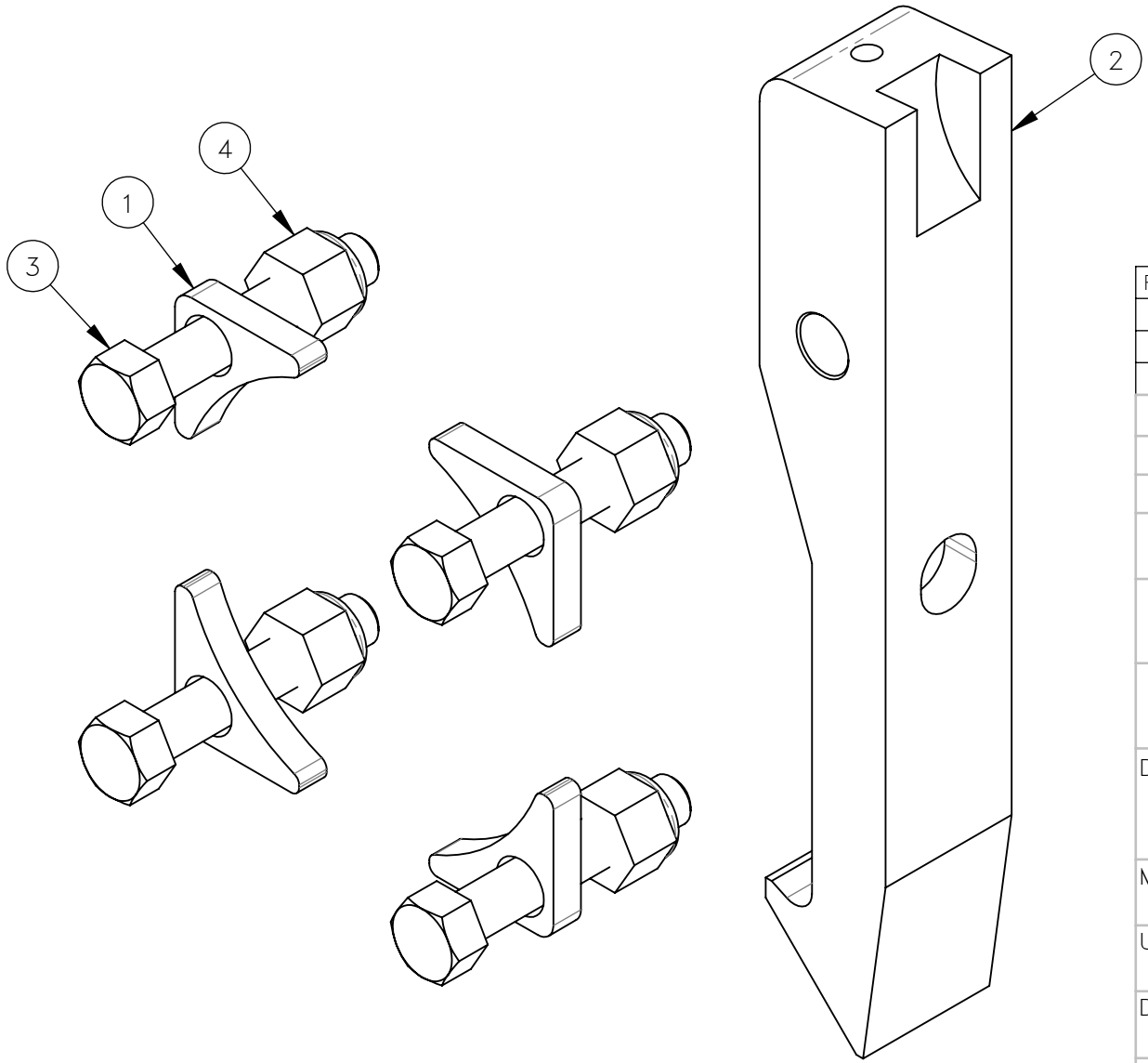


NO.	QTY	DESCRIPTION	PART NO.
1	4	PLATE, MOUNTING	321676
2	1	LATCH	322179
3	4	SCR, HEX: .62-11 X 3.5	400765
4	4	NUT, HEX ES: .62-11 HVY	405325
5	1	INSTRUCTIONS, CENTER JACK SPACER KIT	800339

DWG NO  
**793089**

3



REV	EN	DESCRIPTION	DATE	DRN
1	5247	NEW RELEASE	8-20	ASM
2	5424	ADD 800339	11-20	PR
3	5537	ADD 322179(1)	2-21	ASM

DIMENSION TOLERANCES UNLESS OTHERWISE SPECIFIED

LINEAR	.XX=±.03	.XXX=±.010
ANGULAR	X°=±1°	X.X°=±.5°

SURFACE FINISH 125/ ✓ SMOOTH ALL SHARP EDGES  
NOT TO EXCEED CLEAN ALL WELDS

THIS PRINT AND ALL INFORMATION WITHIN  
BELONGS TO RACINE RAILROAD PRODUCTS

**RACINE RAILROAD PRODUCTS**  
RACINE, WISCONSIN USA

DESCRIPTION  
**KIT, MOUNTING PLATE**

MATERIAL  
SEE BOM

USED ON \_\_\_\_\_ SCALE 1:1 DATE 08-19-20

DRN ASM CHK APP JOB NO RD150003 SHEET 1 OF 1

DWG SIZE A CATALOG K DWG NO 793089