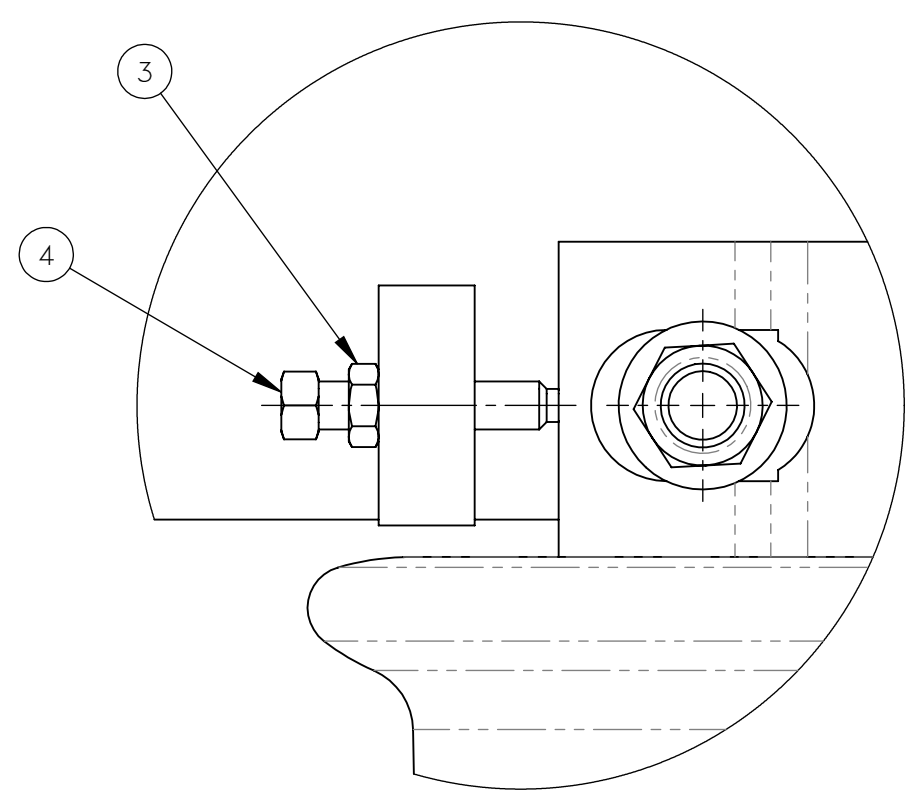
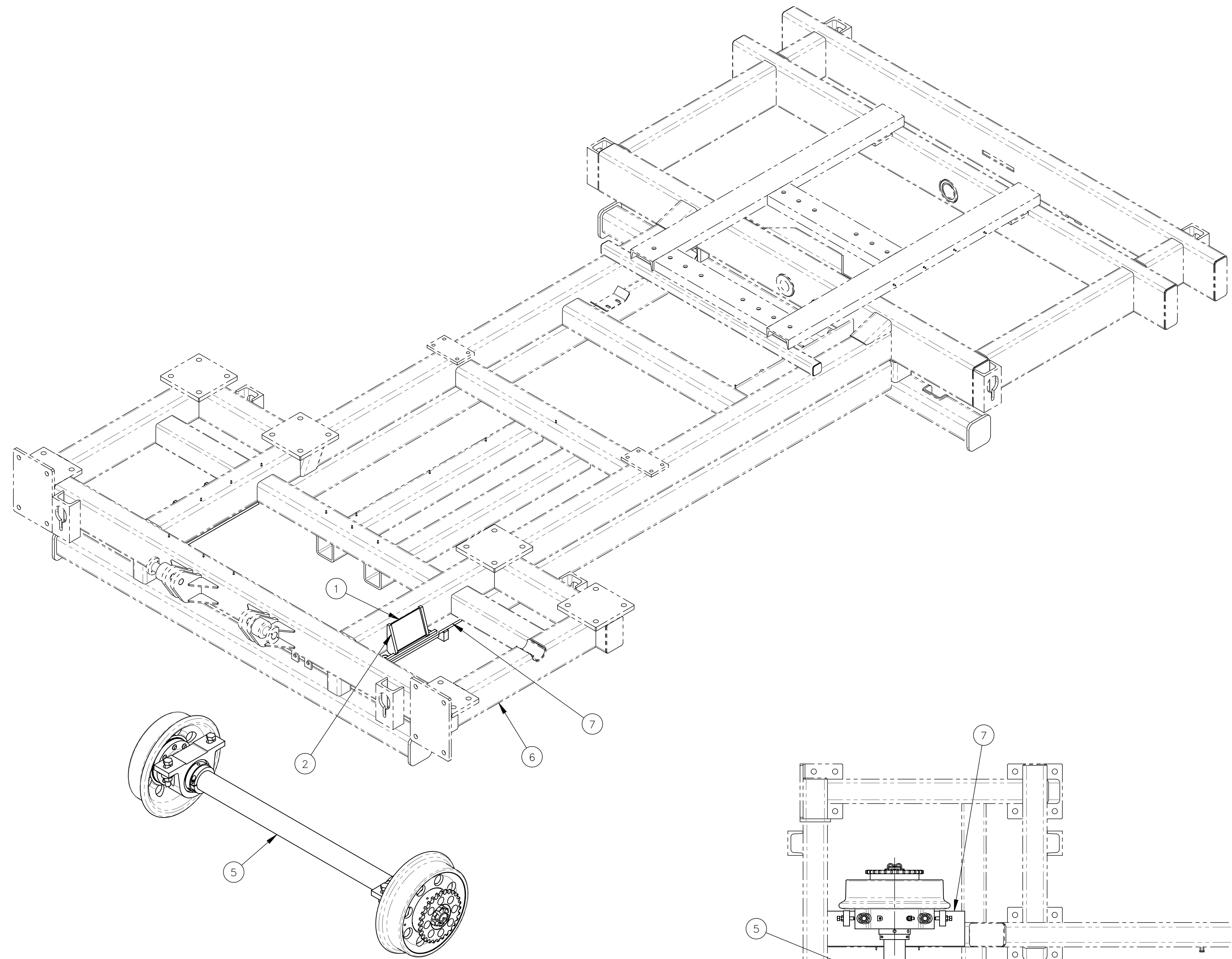
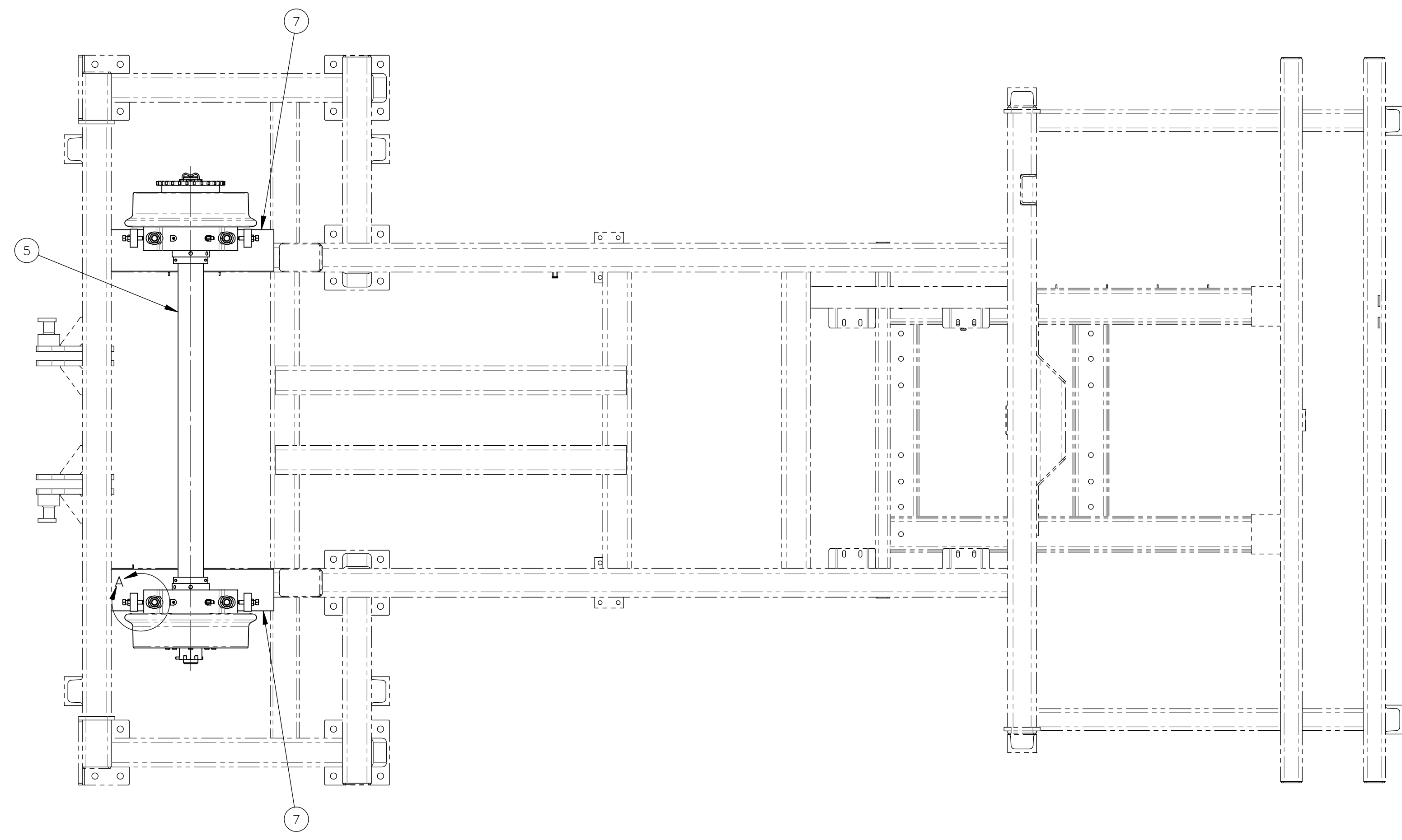


NO.	QTY	DESCRIPTION	PART NO.
1	2	FLAT	319694
2	4	GUSSET, .5 X 2 X 5.5	319696
3	4	NUT, HEX JAM: .5-13	491298
4	4	SCR, SO SET: .5-13 X 2.5	491521
5	1	AXLE, 3.50 DIA INS #80 28T	718912
6	REF	FRAME, INTERMEDIATE	781158
7	2	PLATE, BEARING	781623
8	1	INSTRUCTIONS, 3.50 DIA AXLE KIT	800348



DETAIL A  
SCALE 1 : 2



REV	EN	DESCRIPTION	DATE	DRN
1	5528	NEW RELEASE	2-21	ASM

DIMENSION TOLERANCES UNLESS OTHERWISE SPECIFIED

LINEAR	.XX=±.03	.XXX=±.010
ANGULAR	X' = ±1"	X.X' = ±.5"

SURFACE FINISH 125/√ SMOOTH ALL SHARP EDGES  
NOT TO EXCEED CLEAN ALL WELDS

THIS PRINT AND ALL INFORMATION WITHIN  
BELONGS TO RACINE RAILROAD PRODUCTS

**RACINE RAILROAD PRODUCTS**  
RACINE, WISCONSIN USA

DESCRIPTION  
KIT, 3.50 DIA AXLE

MATERIAL  
SEE BOM

USED ON	781646	SCALE	DATE
		1:12	02-08-21

DRN	CHK	APP	JOB NO	SHEET
ASM			RD150003	1 OF 1

DWG SIZE	CATALOG	DWG NO
D	K	793107