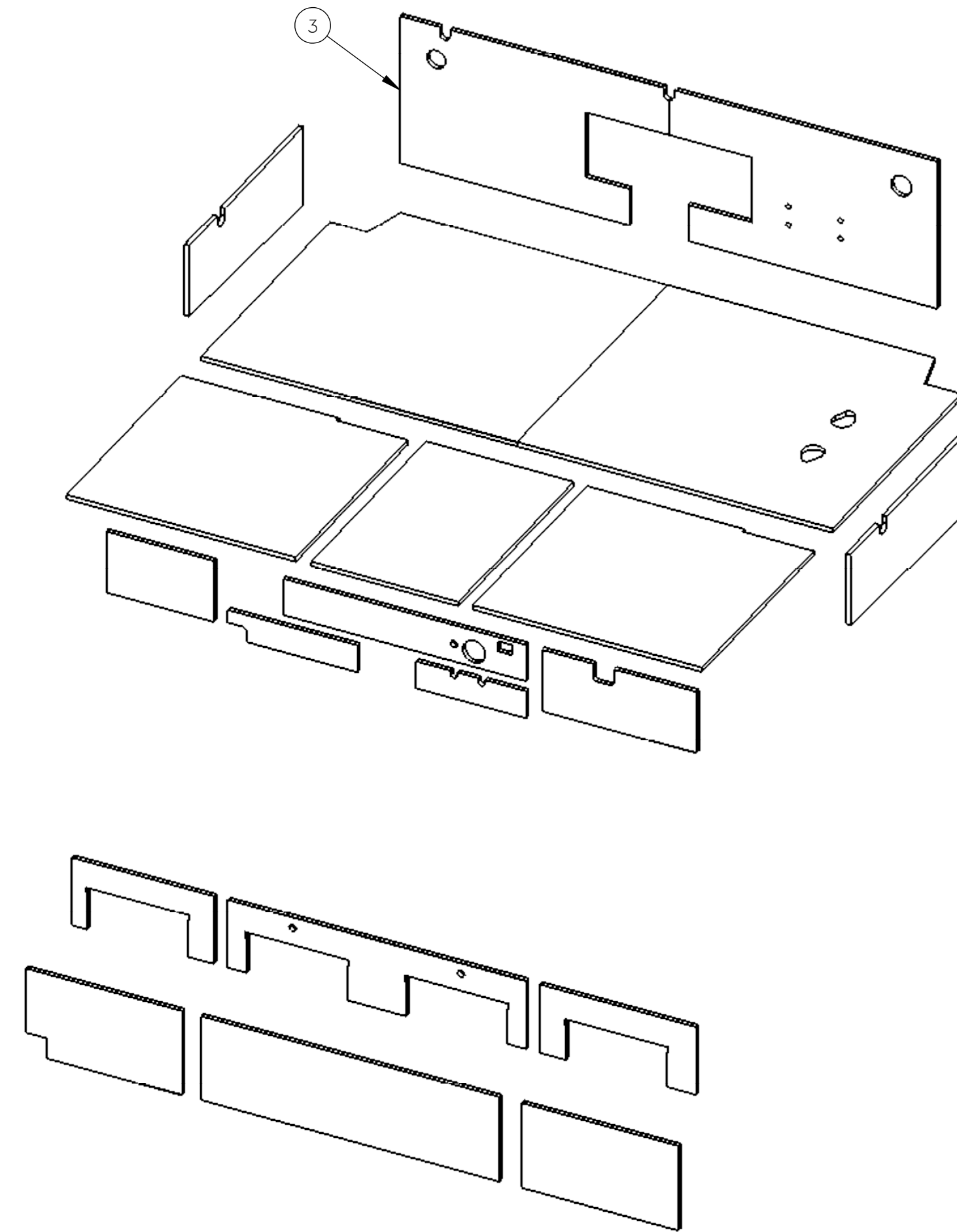
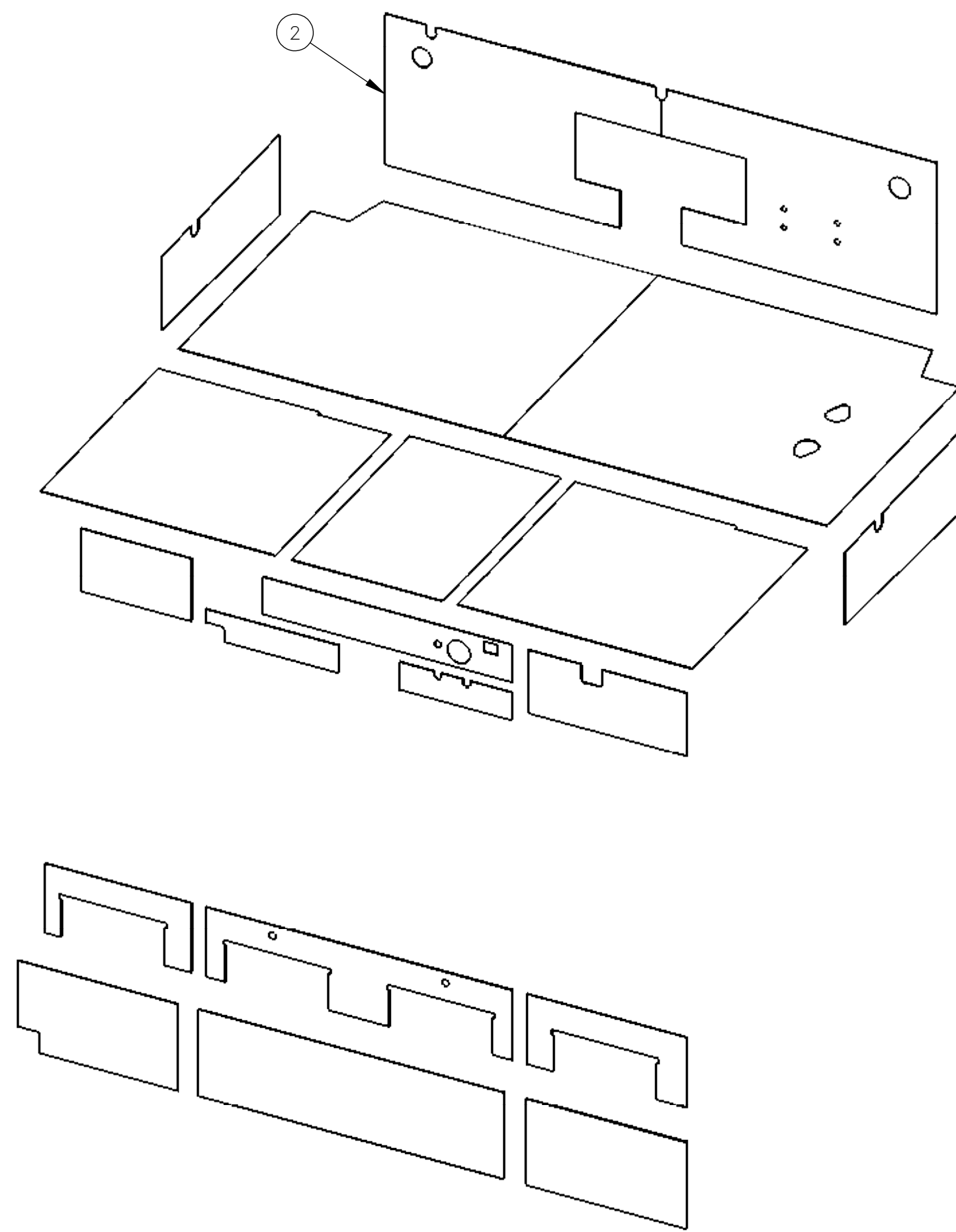
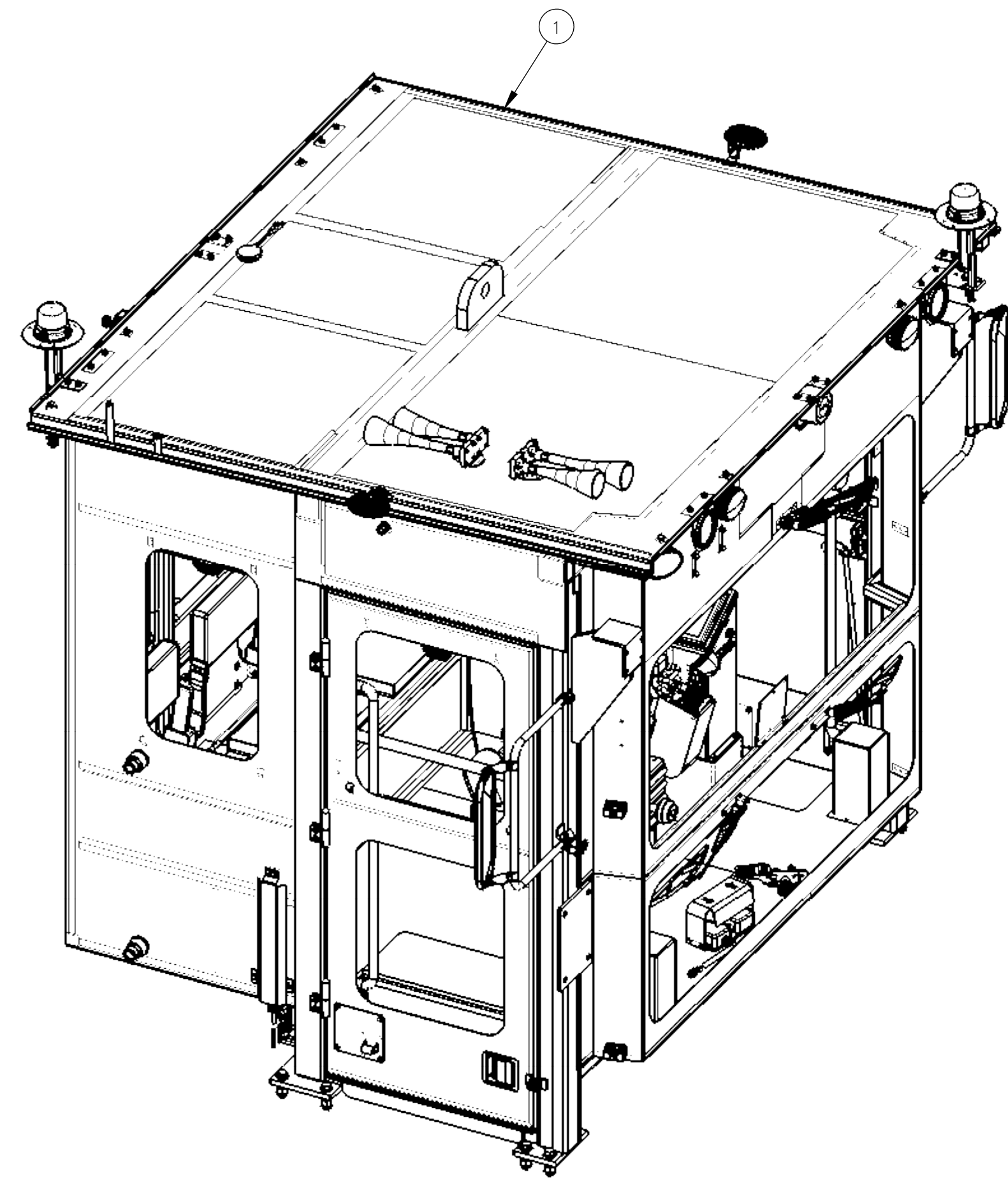


NO.	QTY	DESCRIPTION	PART NO.
1	1	CAB	718435
2	1	DAMPENER, CAB	719965
3	1	INSULATION, CAB	719989
4	1	INSTRUCTIONS, CAB DAMPENER	800349



REV	EN	DESCRIPTION	DATE	DRN
1	5541	NEW RELEASE	2-21	ASM

DIMENSION TOLERANCES UNLESS OTHERWISE SPECIFIED

LINEAR	.XX=±.03	.XXX=±.010
ANGULAR	X'=±1°	X.X'=±.5°

SURFACE FINISH 125/√ SMOOTH ALL SHARP EDGES
NOT TO EXCEED CLEAN ALL WELDS

THIS PRINT AND ALL INFORMATION WITHIN
BELONGS TO RACINE RAILROAD PRODUCTS

RACINE RAILROAD PRODUCTS
RACINE, WISCONSIN USA

DESCRIPTION
KIT, CAB DAMPENER

MATERIAL
SEE BOM

USED ON	718435	SCALE	DATE
		1:16	02-12-21

DRN	CHK	APP	JOB NO	SHEET
ASM			RD150003	1 OF 1

DWG SIZE	CATALOG	DWG NO
D	K	793108