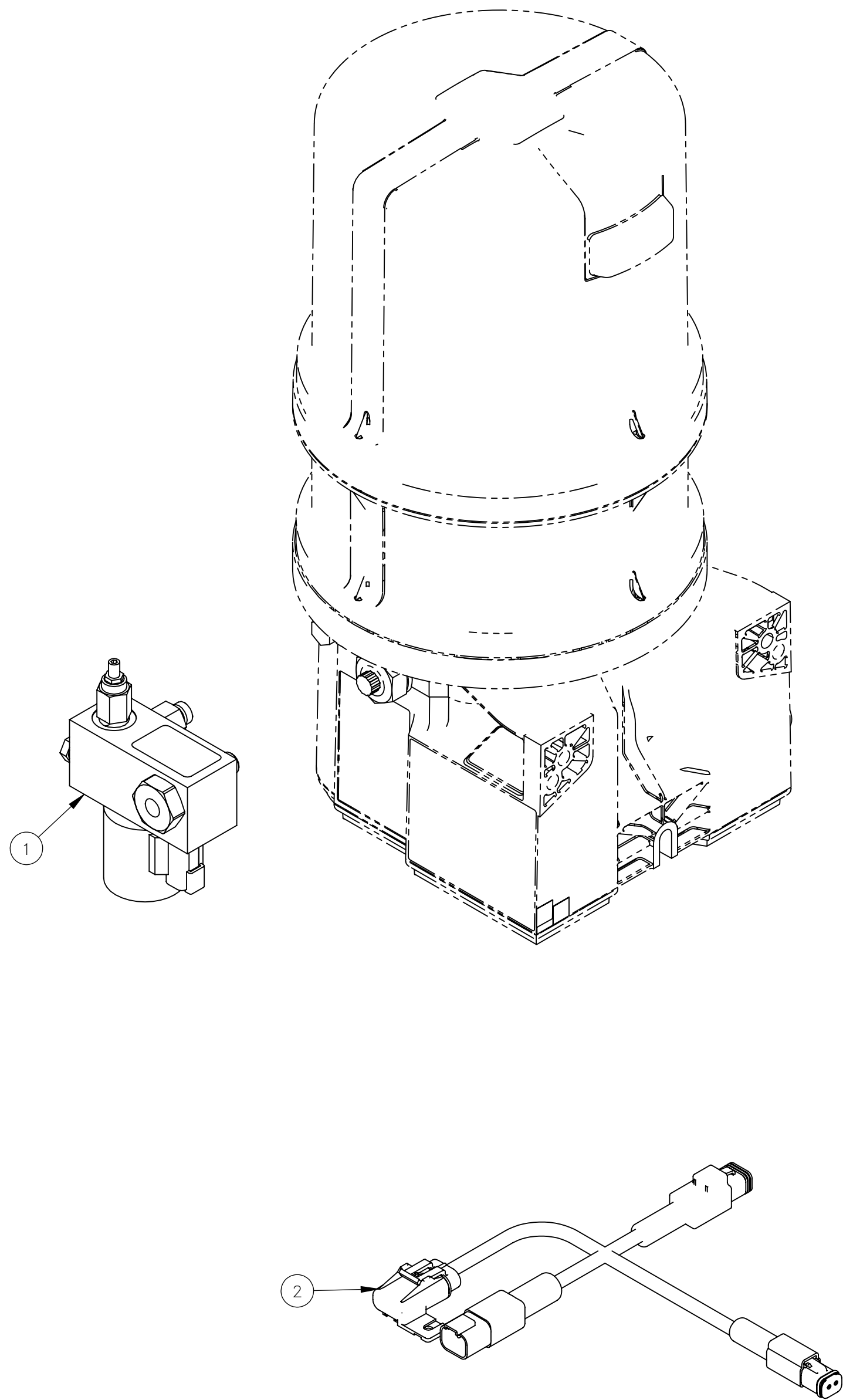


NO.	QTY	DESCRIPTION	PART NO.
1	1	VALVE, VENT	475734
2	1	WIRE HARNESS, GRACO DC POWER	719722
3	1	INSTRUCTIONS, LUBE REMOTE KIT	800350



REV	EN	DESCRIPTION	DATE	DRN
1	5582	NEW RELEASE	3-21	ASM
DIMENSION TOLERANCES UNLESS OTHERWISE SPECIFIED				
LINEAR	.XX=±.03	.XXX=±.010		
ANGULAR	X°=±1°	X.X°=±.5°		
SURFACE FINISH NOT TO EXCEED	125 ✓	SMOOTH ALL SHARP EDGES CLEAN ALL WELDS		
THIS PRINT AND ALL INFORMATION WITHIN BELONGS TO RACINE RAILROAD PRODUCTS				
RACINE RAILROAD PRODUCTS				
RACINE, WISCONSIN USA				
DESCRIPTION				
KIT, LUBE REMOTE				
MATERIAL				
SEE BOM				
USED ON		SCALE	DATE	
719029		1:2.5	03-08-21	
DRN	CHK	APP	JOB NO	SHEET
ASM			RD150003	1 OF 1
DWG SIZE	CATALOG	DWG NO		
C	K	793110		