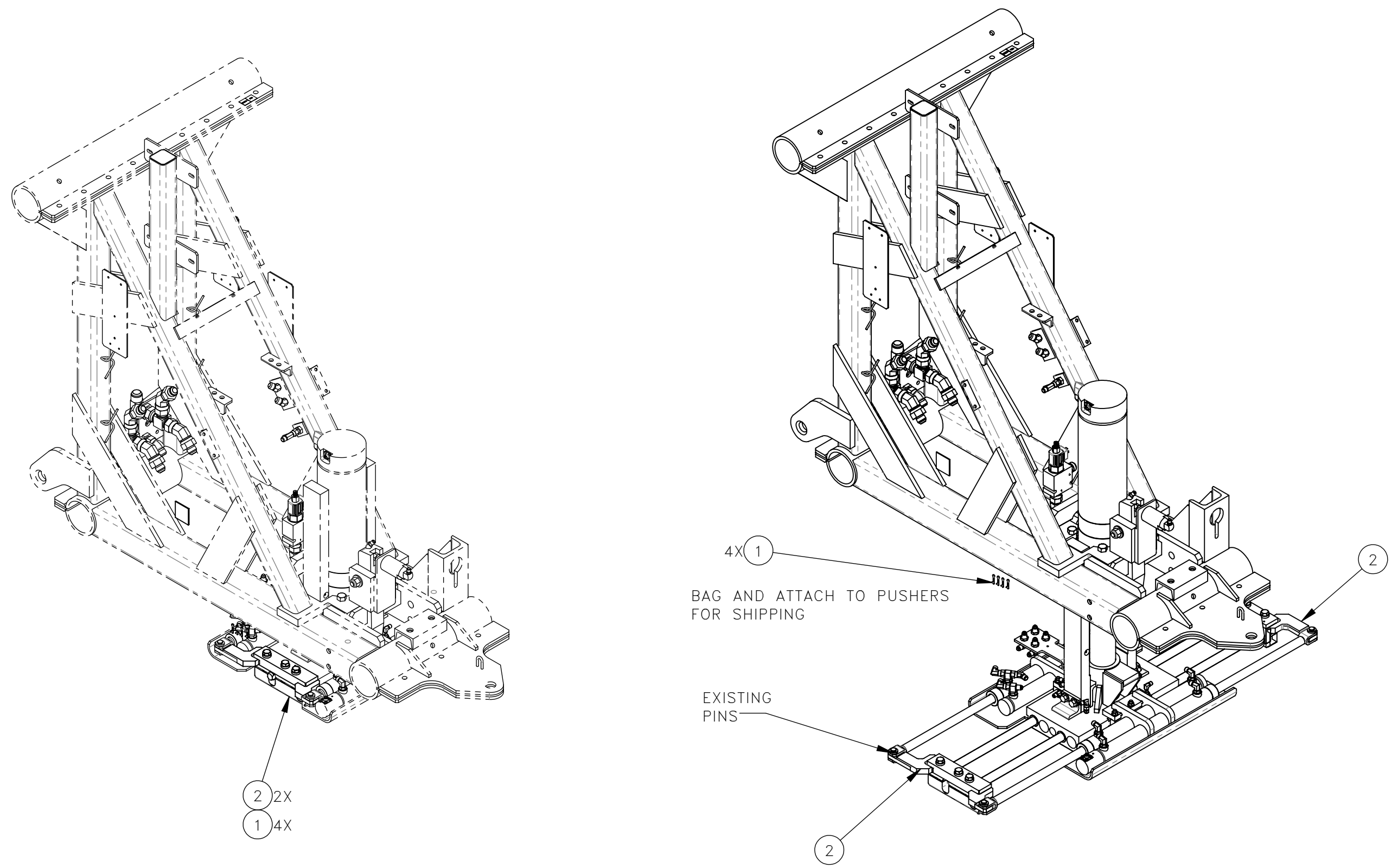


NO.	QTY	DESCRIPTION	PART NO.
1	4	PIN, COTTER: .12 X 1	400900
2	2	PUSHER	720134
3	1	INSTRUCTIONS, CENTER JACK PUSHER KIT	800358



REV	EN	DESCRIPTION	DATE	DRN
1	5869	NEW RELEASE	8-21	PR
DIMENSION TOLERANCES UNLESS OTHERWISE SPECIFIED				
LINEAR		.XX=±.03	.XXX=±.010	
ANGULAR		X°=±1°	X.X°=±.5°	
SURFACE FINISH NOT TO EXCEED		125 ✓	SMOOTH ALL SHARP EDGES CLEAN ALL WELDS	
THIS PRINT AND ALL INFORMATION WITHIN BELONGS TO RACINE RAILROAD PRODUCTS				
RACINE RAILROAD PRODUCTS				
RACINE, WISCONSIN USA				
DESCRIPTION				
KIT, CENTER JACK PUSHER				
MATERIAL				
SEE BOM				
USED ON		932587	SCALE	DATE
			1:12	08-23-21
DRN	CHK	APP	JOB NO	SHEET
PR			RD150003	1 OF 1
DWG SIZE		CATALOG	DWG NO	
C		K	793119	