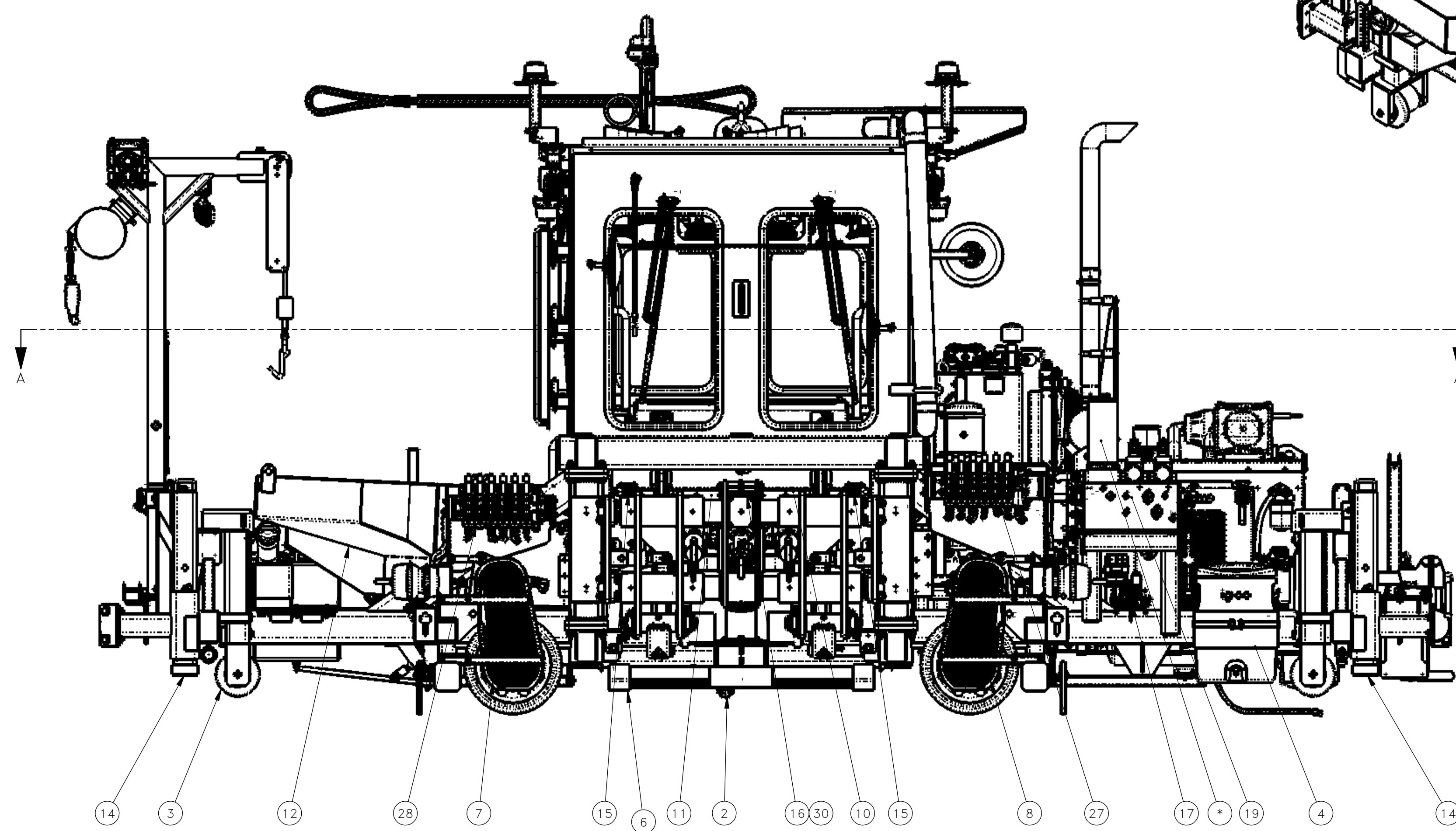
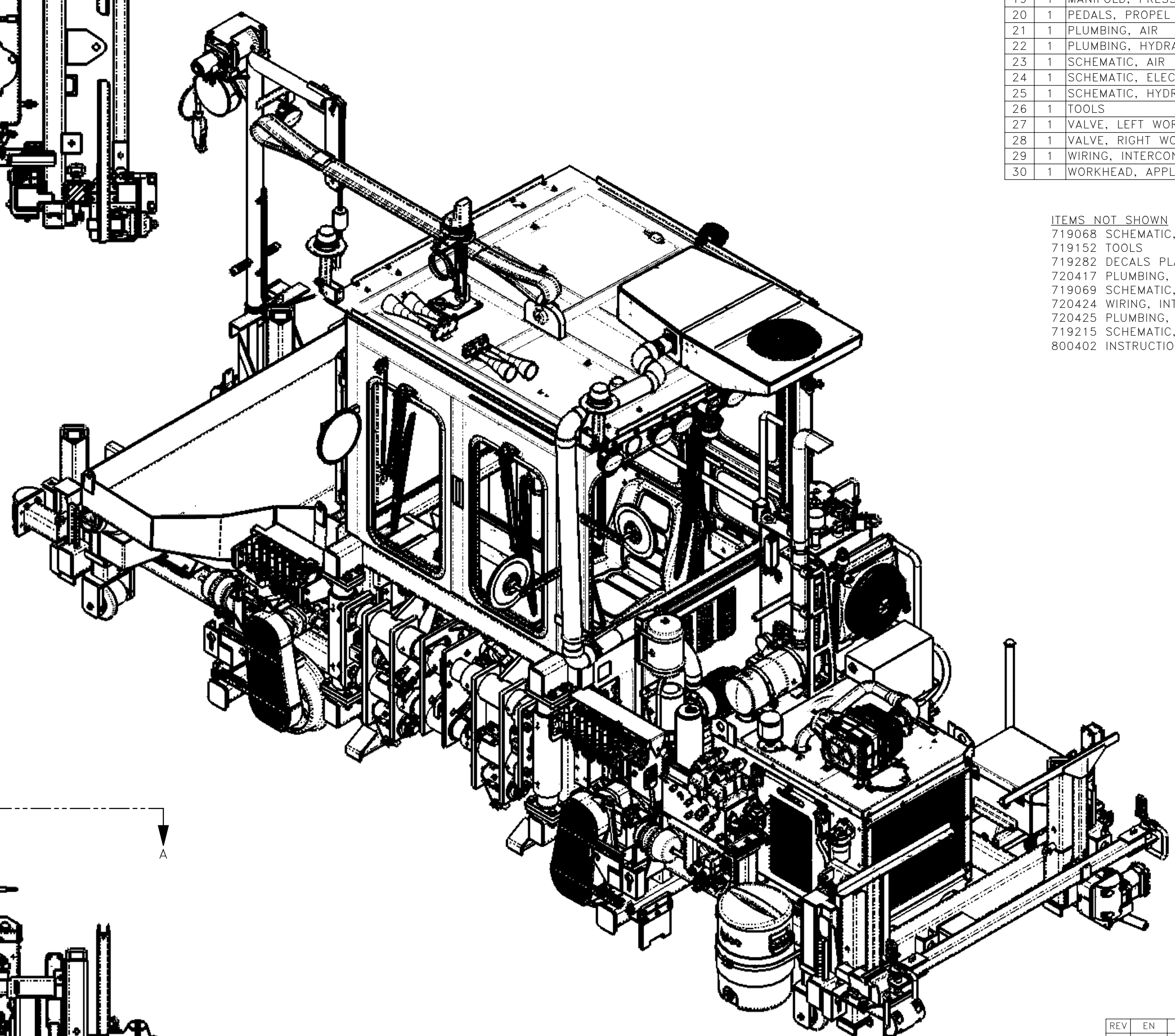


SECTION A-A



NO.	QTY	DESCRIPTION	PART NO.
1	1	CAB	720423
2	1	CAMERA, TIE	719290
3	1	CHASSIS	720410
4	1	COOLER, 10 GALLON	715433
5	1	DECALS PLACARDS NAMEPLATES, AM3	719282
6	1	FRAME, H	781903
7	1	GUARD, CHAIN	718200
8	1	GUARD, CHAIN	718201
9	1	GUARD, FOOT SWITCH	719148
10	1	GUARD, LEFT WORKHEAD	719146
11	1	GUARD, RIGHT WORKHEAD	719147
12	1	HOPPER	719700
13	1	INSTRUCTIONS, AAM TO AM3 RETRO	800402
14	4	JACKSTAND	719086
15	4	LIGHT, CLEAR	469726
16	1	LOADER	719023
17	1	MANIFOLD, D03 2 STATION	719099
18	1	MANIFOLD, 5 SECTION AIR	718203
19	1	MANIFOLD, PRESSURE/PROPEL	719320
20	1	PEDALS, PROPEL	717766
21	1	PLUMBING, AIR	720425
22	1	PLUMBING, HYDRAULIC	720417
23	1	SCHEMATIC, AIR	719215
24	1	SCHEMATIC, ELECTRICAL	719068
25	1	SCHEMATIC, HYDRAULIC	719069
26	1	TOOLS	719152
27	1	VALVE, LEFT WORKHEAD	719036
28	1	VALVE, RIGHT WORKHEAD	719094
29	1	WIRING, INTERCONNECT	720424
30	1	WORKHEAD, APPLY	719005

ITEMS NOT SHOWN
 719068 SCHEMATIC, ELECTRICAL
 719152 TOOLS
 719282 DECALS PLACARDS NAMEPLATES, AM3
 720417 PLUMBING, HYDRAULIC
 719069 SCHEMATIC, HYDRAULIC
 720424 WIRING, INTERCONNECT
 720425 PLUMBING, AIR
 719215 SCHEMATIC, AIR
 800402 INSTRUCTIONS, AAM TO AM3 RETRO

REV	EN	DESCRIPTION	DATE	DRN
1		6583 NEW RELEASE	11-22	KPB

DIMENSION TOLERANCES UNLESS OTHERWISE SPECIFIED

LINEAR	.XX=±.03	.XXX=±.010	KERF ALLOW.
ANGULAR	X' = ±1°	X.X' = ±.5°	

SURFACE FINISH NOT TO EXCEED 125 ✓ SMOOTH ALL SHARP EDGES CLEAN ALL WELDS

THIS PRINT AND ALL INFORMATION WITHIN BELONGS TO RACINE RAILROAD PRODUCTS

RACINE RAILROAD PRODUCTS
 RACINE, WISCONSIN USA

DESCRIPTION
 KIT, AAM TO AM3 RETRO

MATERIAL TYPE
 SEE BOM

USED ON	SCALE	DATE
ERROR!:USED ON	1:16	11-14-22

DRN	WEIGHT (LBS)	JOB NO	SHEET
KB	ERROR!:Weight	RD190002	1 OF 1

DWG SIZE	CATALOG	DWG NO
D	K	793179