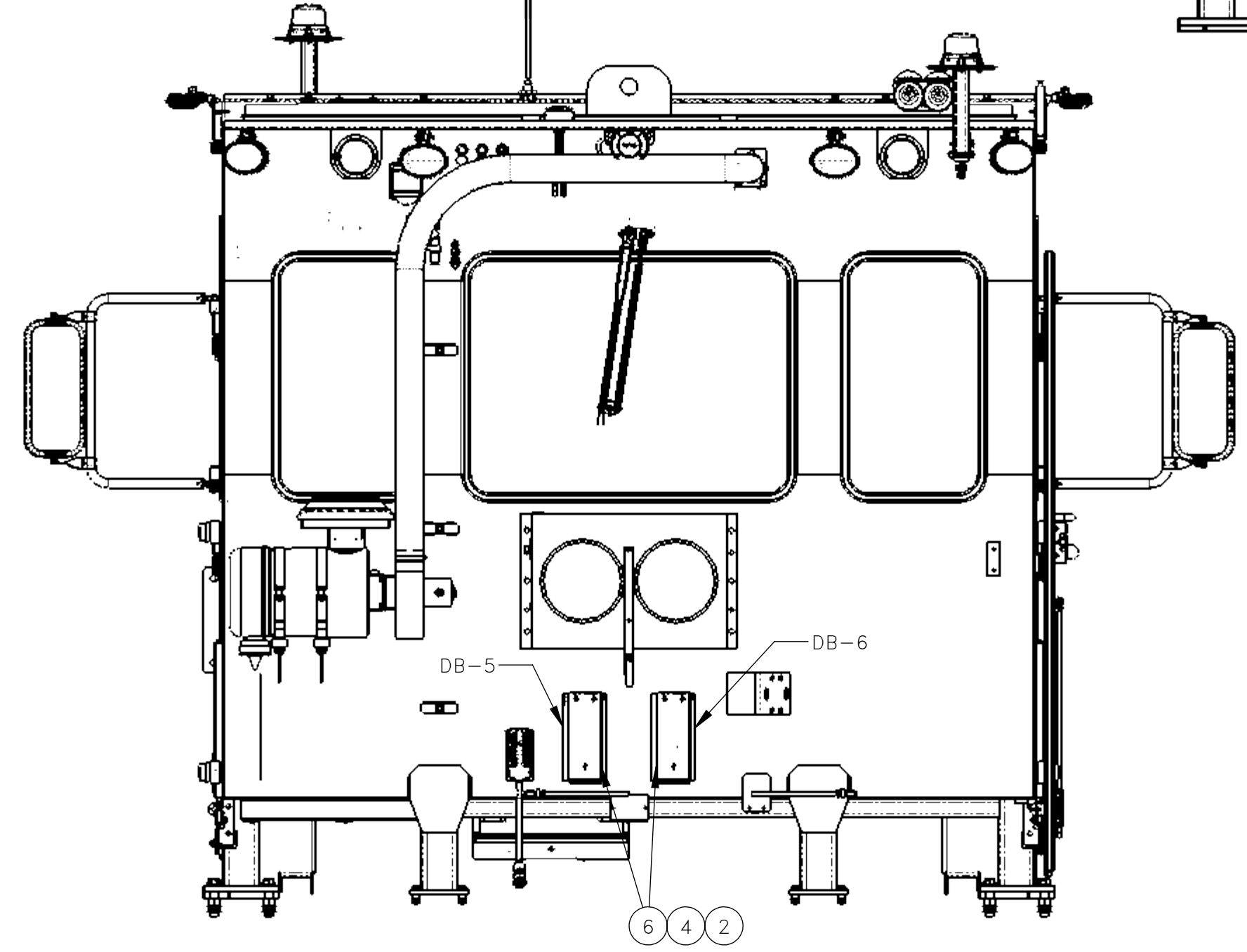
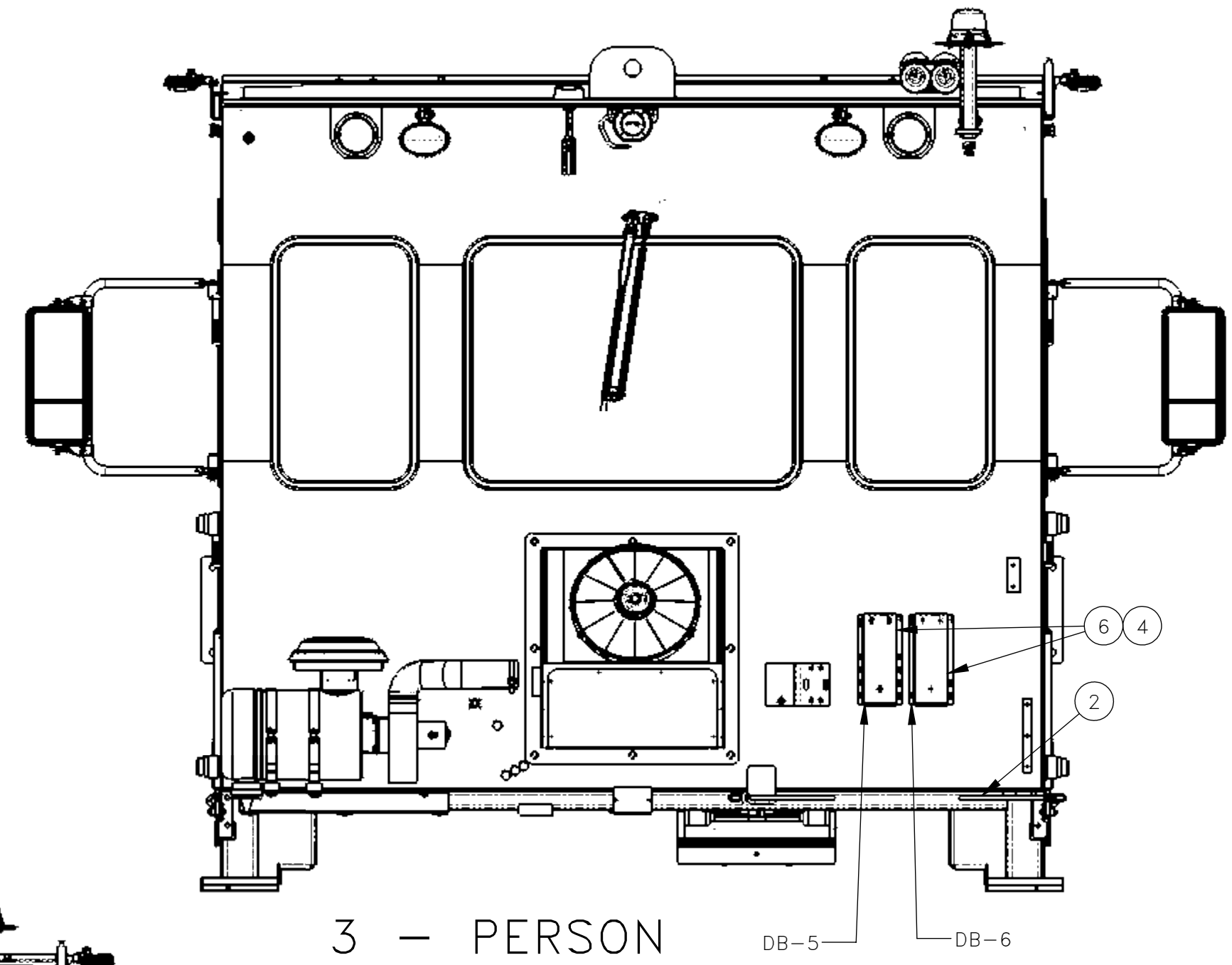
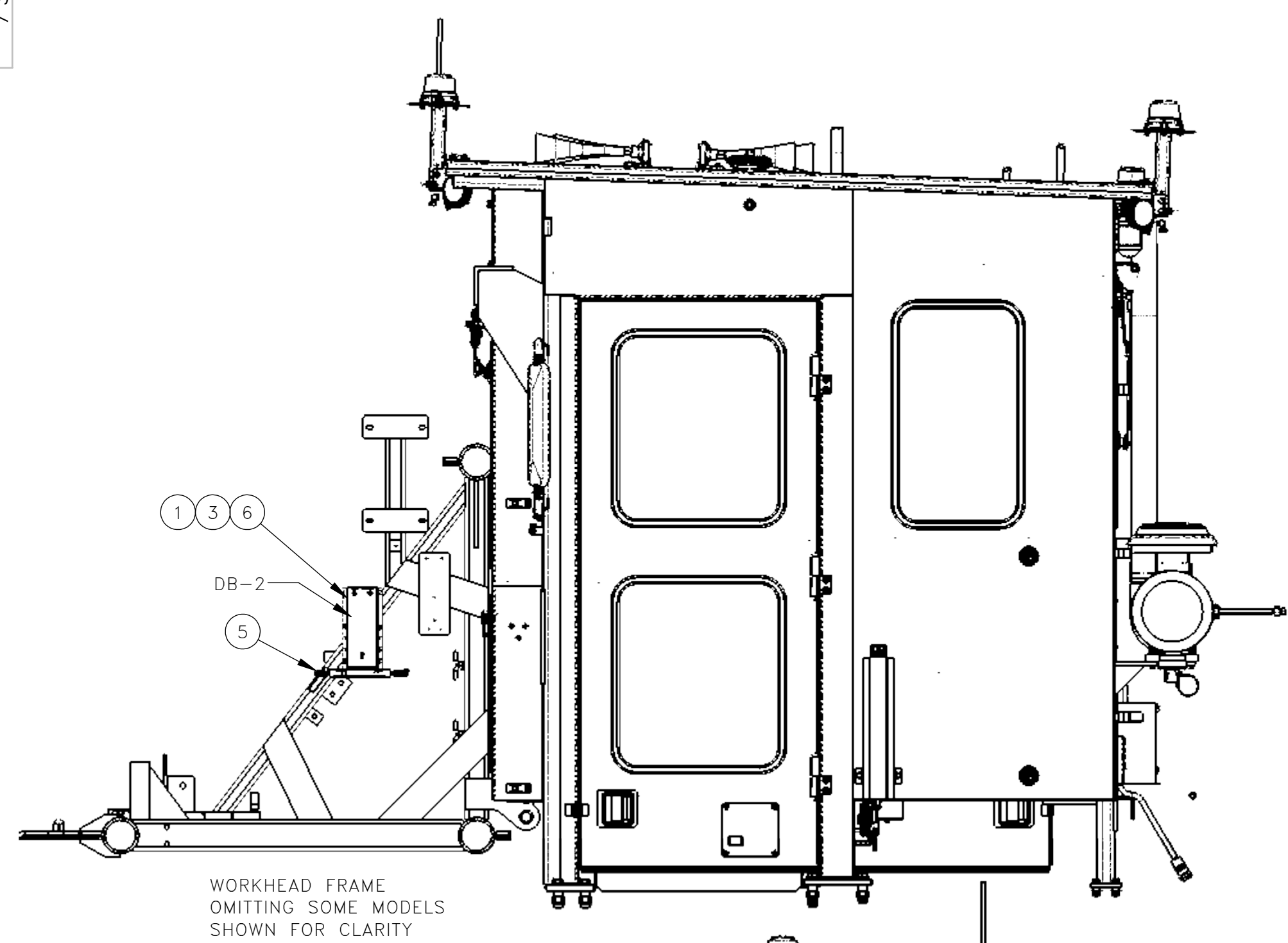


NO.	QTY	DESCRIPTION	PART NO.
1	3	NUT, HEX ES: 10-24	456470
2	1	CABLE, MICRO: 4 PIN DEUTSCH 1 M	473215
3	3	STANDOFF, MURR BLOCK	720478
4	6	STANDOFF, MURR BLOCK COVER: ATPI	720479
5	1	WIRE HARNESS, EXTENTION GREASE PUMP	720483
6	3	COVER, MURR BLOCK: SINGLE	782404
7	1	INSTRUCTIONS, MURR BLOCK COVER KIT: ATPI	800408



- USED ON:
- 932574
 - 933574
 - 935574
 - 930587
 - 931588
 - 935588
 - 945588
 - 932587

REV	EN	DESCRIPTION	DATE	DRN
1	00147	NEW RELEASE	3-23	PR

DIMENSION TOLERANCES UNLESS OTHERWISE SPECIFIED

LINEAR	.XX=±.03	.XXX=±.010	KERF ALLOW.
ANGULAR	X°=±1°	X.X°=±.5°	

SURFACE FINISH 125/ ✓ SMOOTH ALL SHARP EDGES
NOT TO EXCEED CLEAN ALL WELDS

THIS PRINT AND ALL INFORMATION WITHIN BELONGS TO RACINE RAILROAD PRODUCTS

RACINE RAILROAD PRODUCTS
RACINE, WISCONSIN USA

DESCRIPTION
KIT, MURR BLOCK COVER: APTI

MATERIAL TYPE
SEE BOM

USED ON	SCALE	DATE
SEE NOTE	1:16	03-04-23

DRN	WEIGHT (LBS)	JOB NO	SHEET
PR		RD150003	1 OF 1

DWG SIZE	CATALOG	DWG NO
C	K	793186

SW MATERIAL: C_BRD_220930