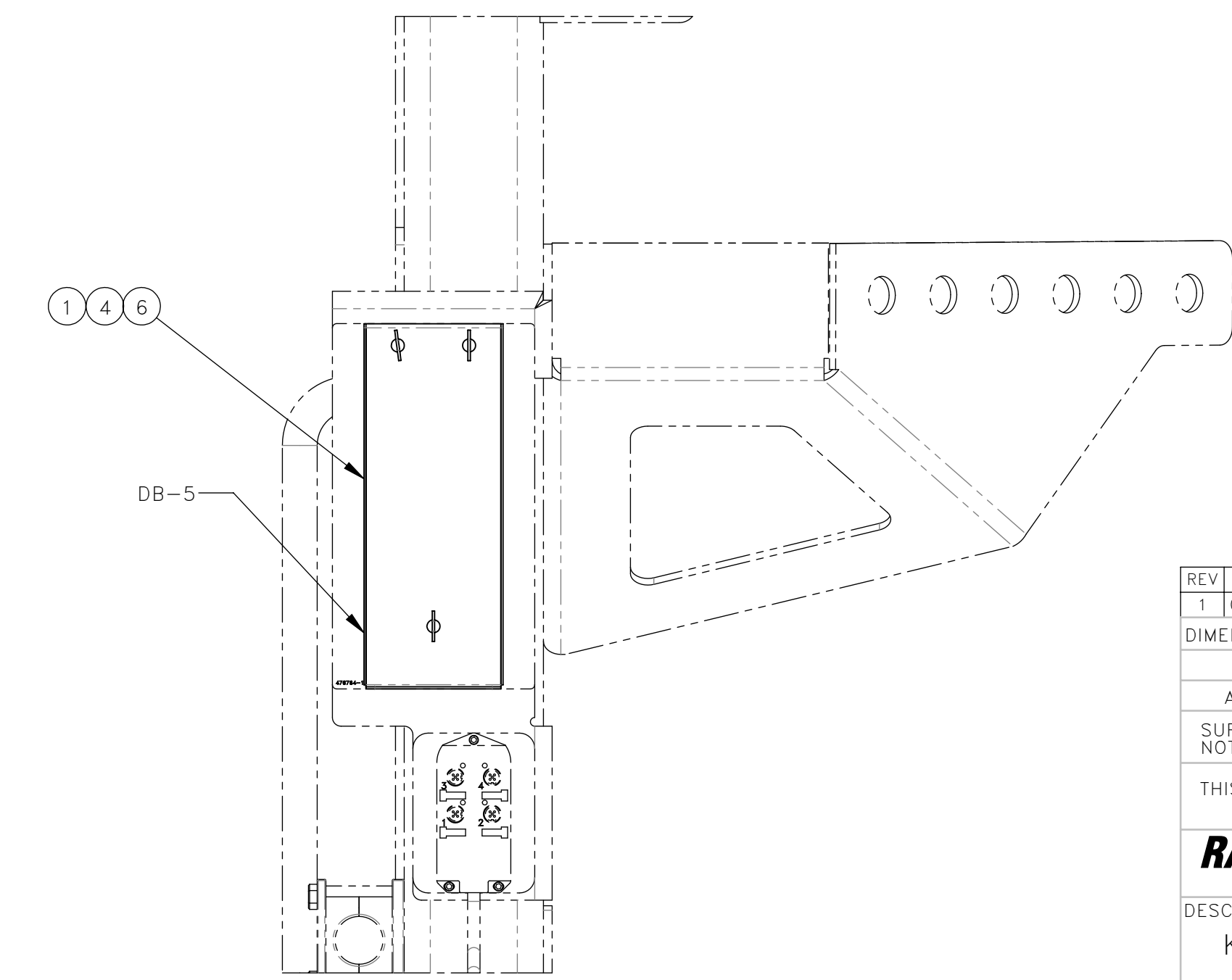
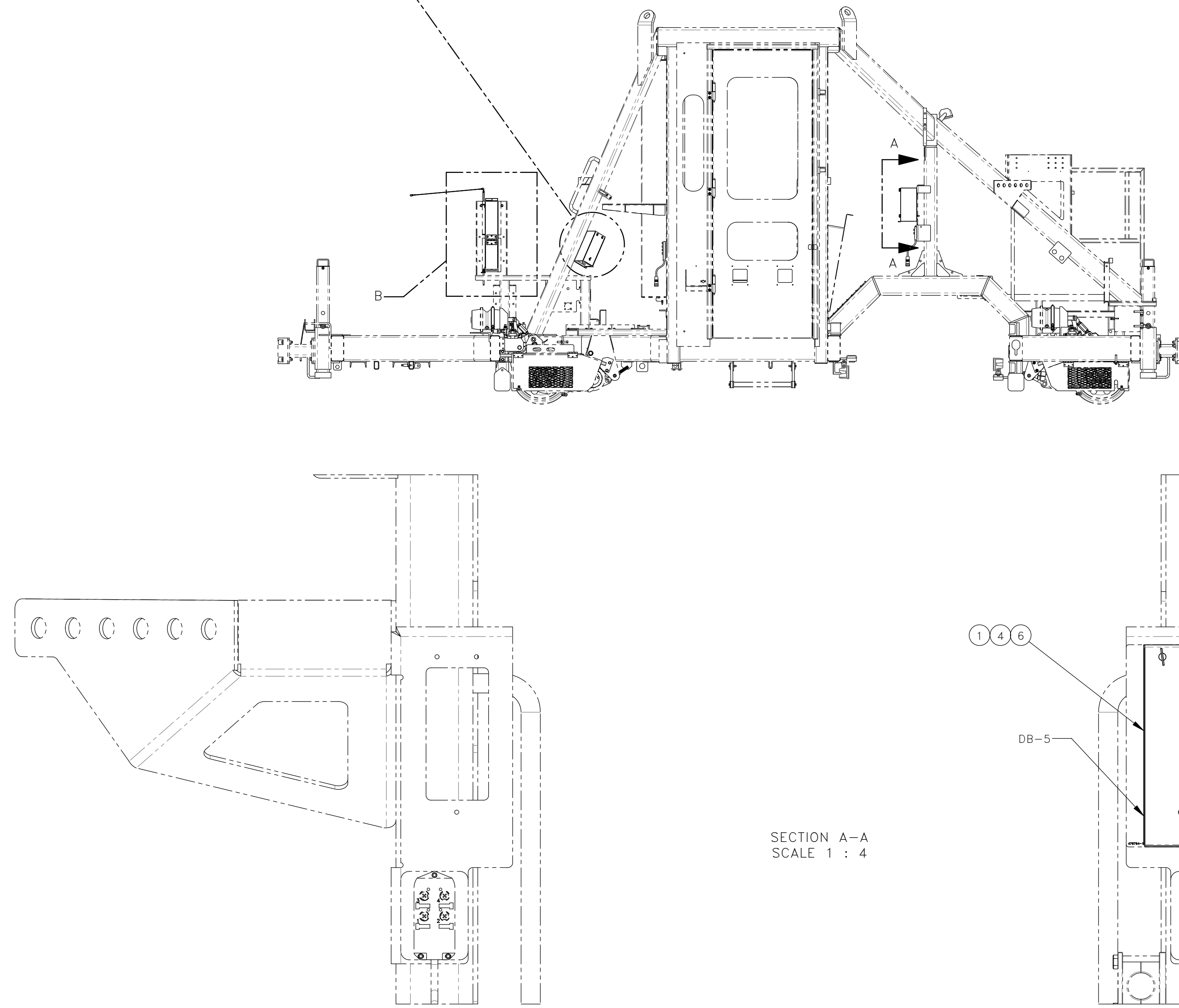
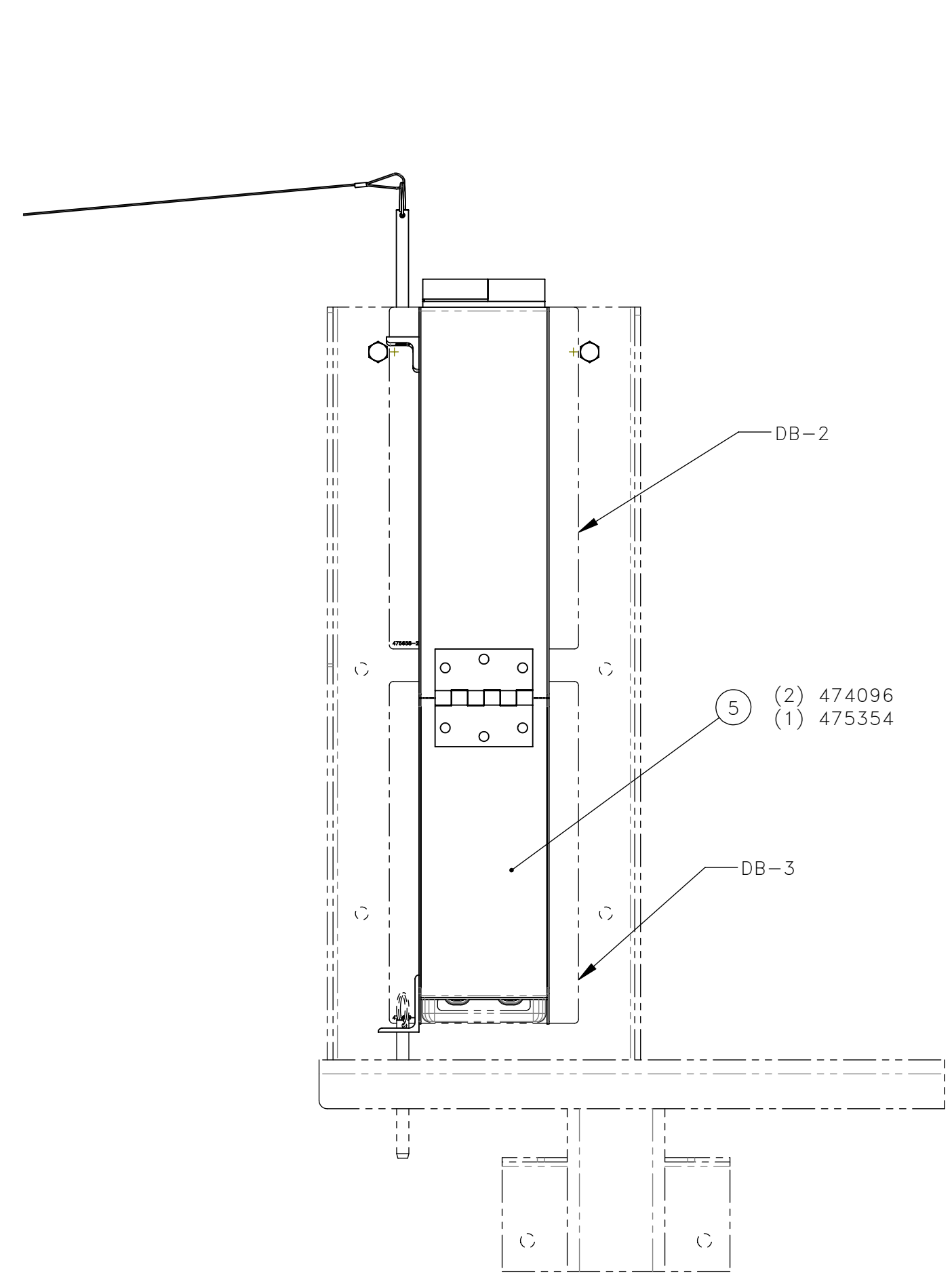
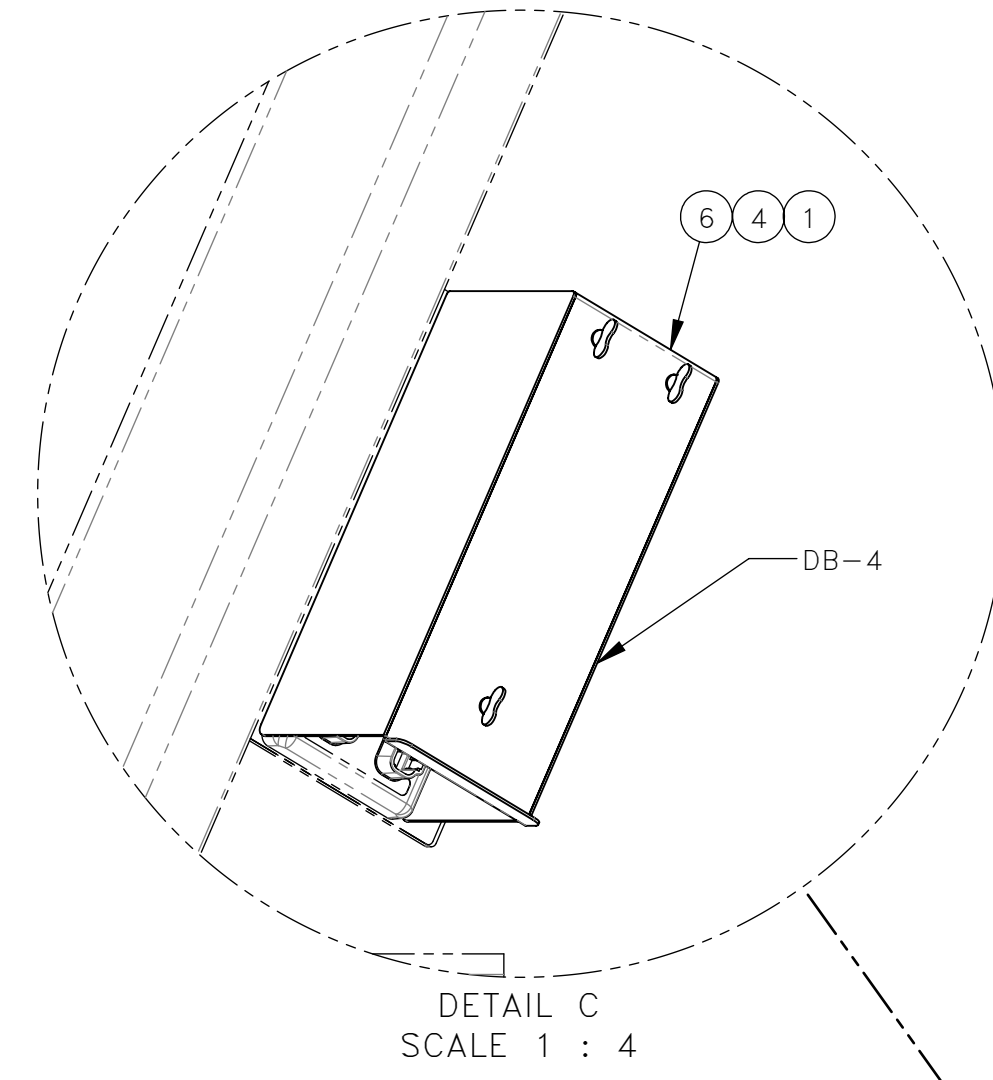


NO.	QTY	DESCRIPTION	PART NO.
1	6	NUT, HEX ES: 10-24	456470
2	2	CABLE, MICRO: 4 PIN DEUTSCH X DIN 43650 A 2.5 M	474096
3	1	CABLE, MICRO: 4 PIN DEUTSCH X DIN 43650 A 3 M	475354
4	6	STANDOFF, MURR BLOCK	720478
5	1	COVER, MURR BLOCK: BI-FOLD	720480
6	2	COVER, MURR BLOCK: SINGLE	782404
7	1	INSTRUCTIONS, MURR BLOCK COVER KIT: DCA, DAA, DAS	800409



- USED ON:
- 931583
  - 931584
  - 931585
  - 932585
  - 933583
  - 933584
  - 944585

REV	EN	DESCRIPTION	DATE	DRN
1	00147	NEW RELEASE	6-23	PR

DIMENSION TOLERANCES UNLESS OTHERWISE SPECIFIED

LINEAR	.XX=±.03	.XXX=±.010	KERF ALLOW.
ANGULAR	X' = ±1"	X.X' = ±.5"	

SURFACE FINISH 125 ✓ SMOOTH ALL SHARP EDGES  
NOT TO EXCEED CLEAN ALL WELDS

THIS PRINT AND ALL INFORMATION WITHIN BELONGS TO RACINE RAILROAD PRODUCTS

**RACINE RAILROAD PRODUCTS**  
RACINE, WISCONSIN USA

DESCRIPTION  
KIT, MURR BLOCK COVER: DAA, DAS, DCA

MATERIAL TYPE  
SEE BOM

USED ON	SCALE	DATE
SEE NOTE	1:48	04-26-23

DRN	WEIGHT (LBS)	JOB NO	SHEET
PR	19.77	RD190005	1 OF 1

DWG SIZE	CATALOG	DWG NO
D	K	793187