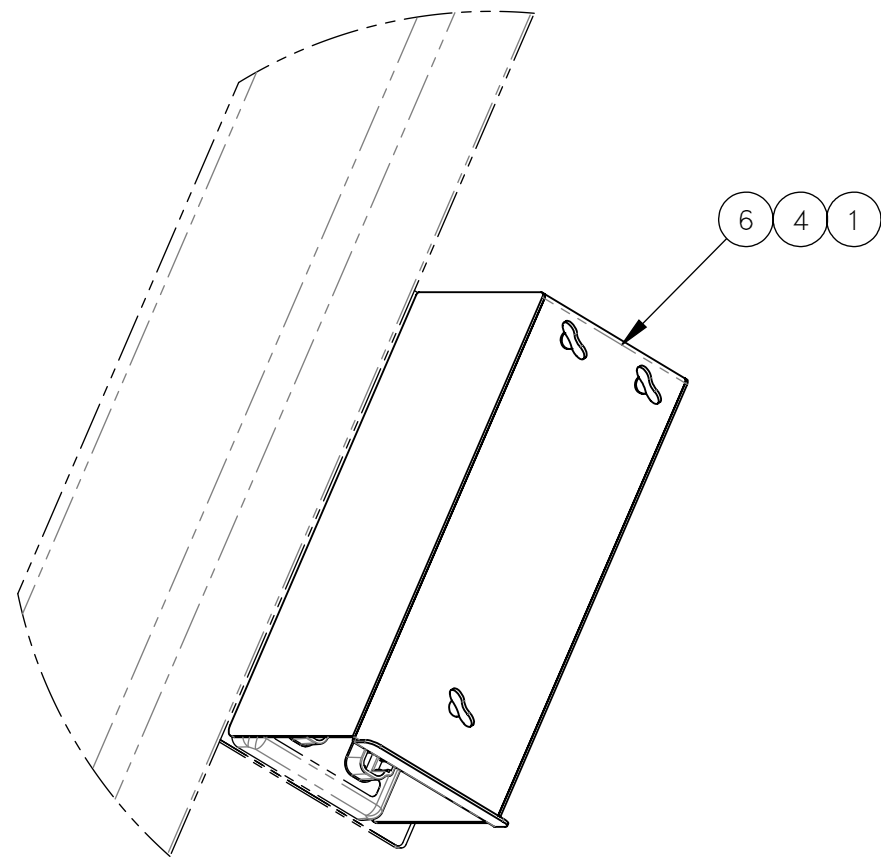
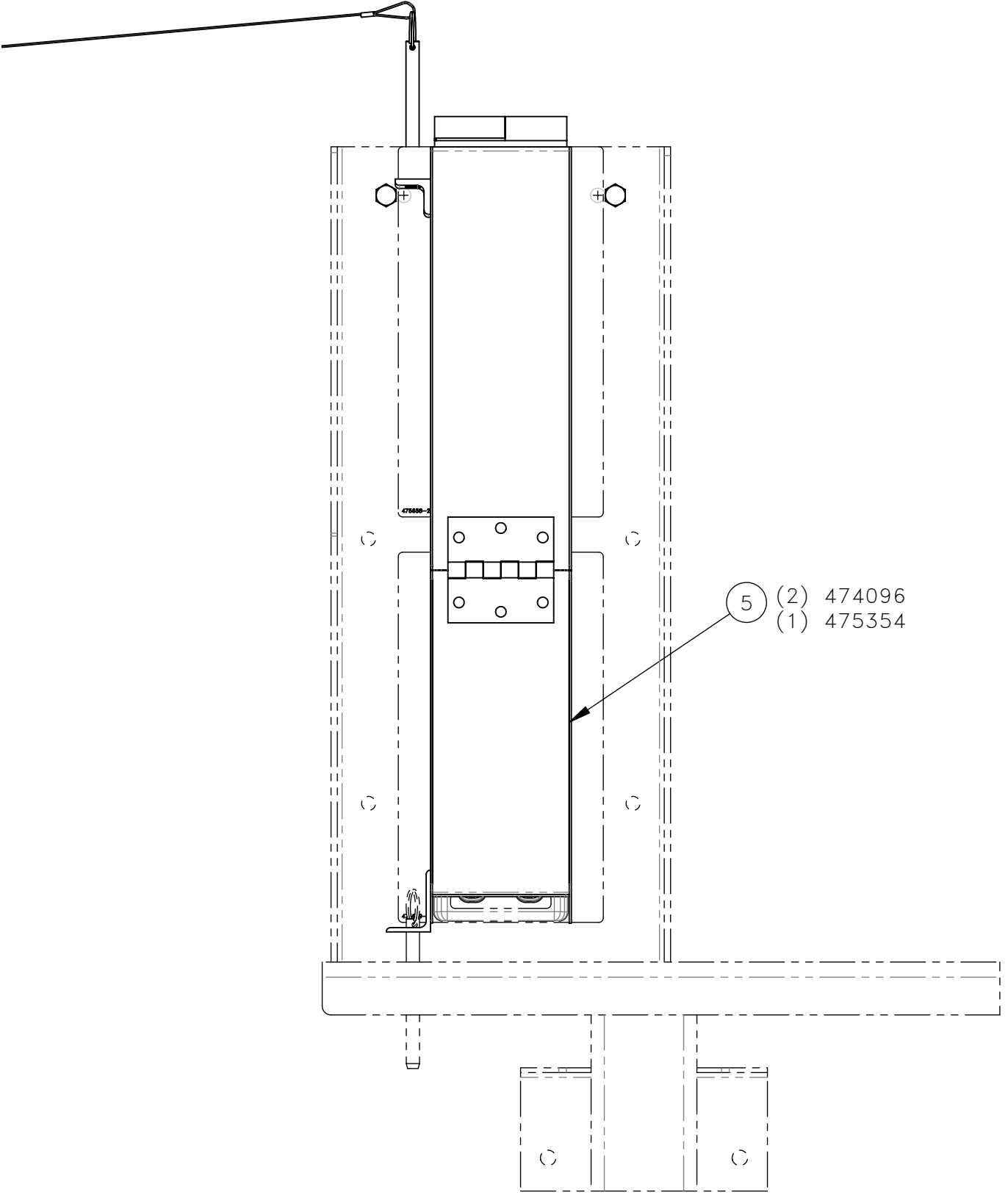
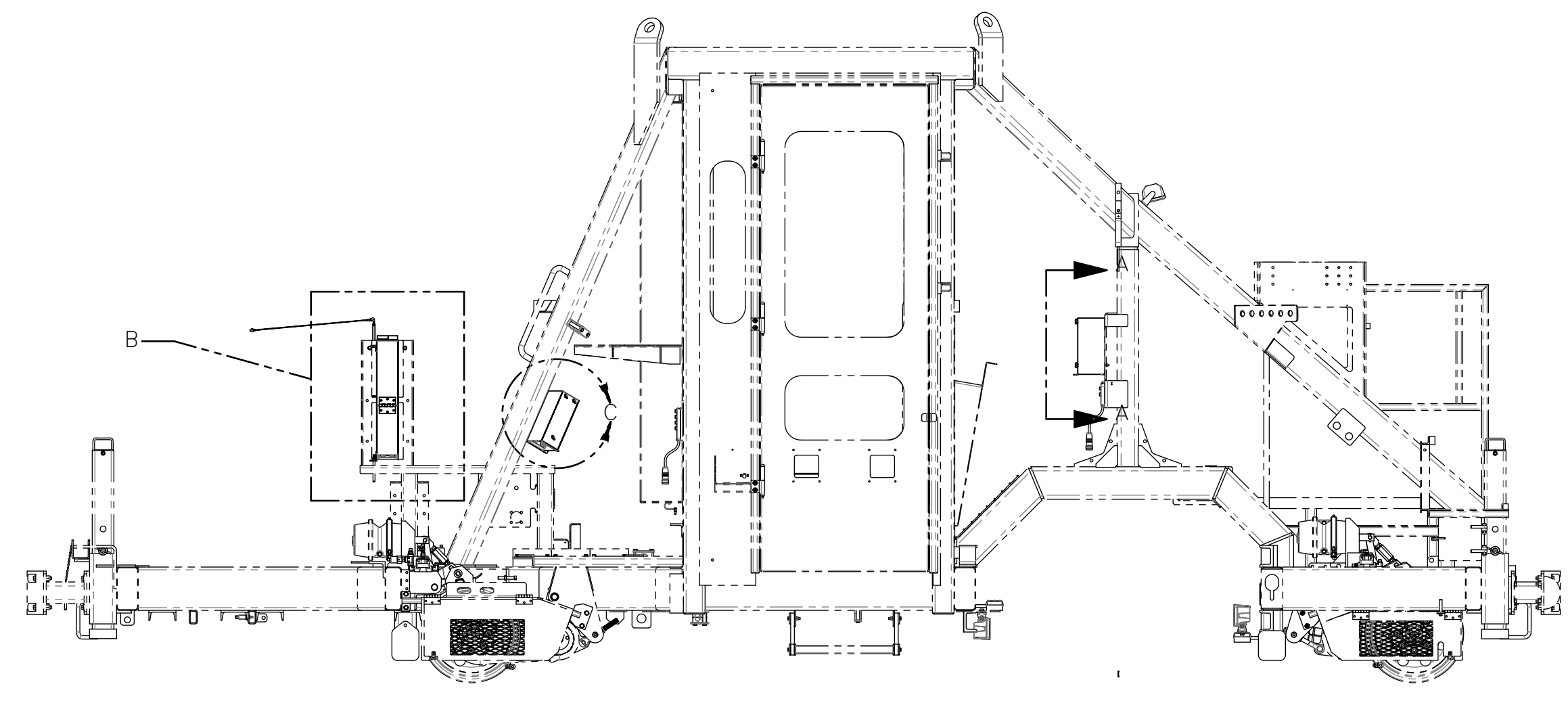


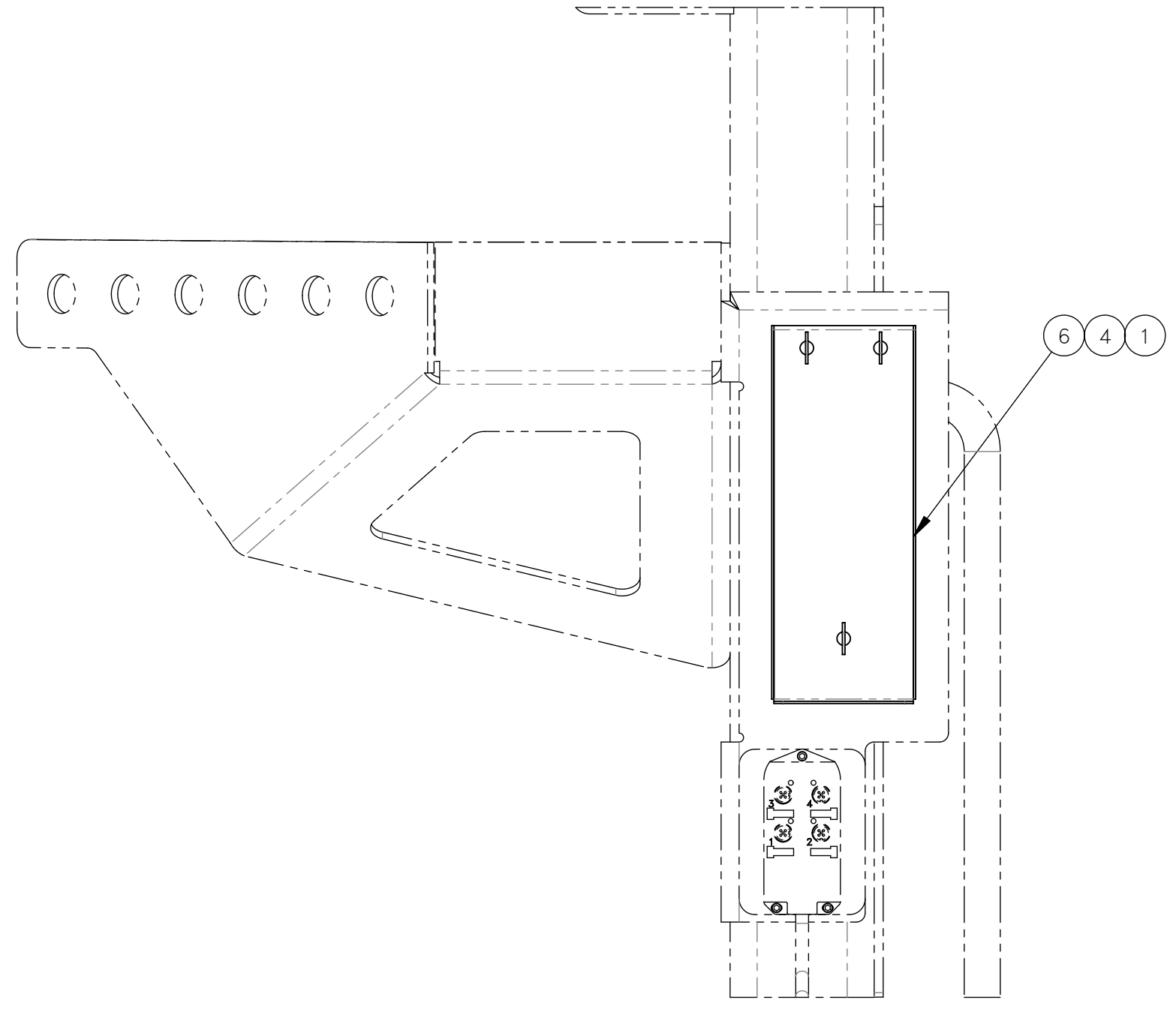
NO.	QTY	DESCRIPTION	PART NO.
1	9	NUT, HEX ES: 10-24	456470
2	2	CABLE, MICRO: 4 PIN DEUTSCH X DIN 43650 A 2.5 M	474096
3	1	CABLE, MICRO: 4 PIN DEUTSCH X DIN 43650 A 3 M	475354
4	9	STANDOFF, MURR BLOCK	720478
5	1	COVER, MURR BLOCK: BI-FOLD	720480
6	3	COVER, MURR BLOCK: SINGLE	782404
7	1	INSTRUCTIONS, MURR BLOCK COVER: DASP, SAR KIT	800410



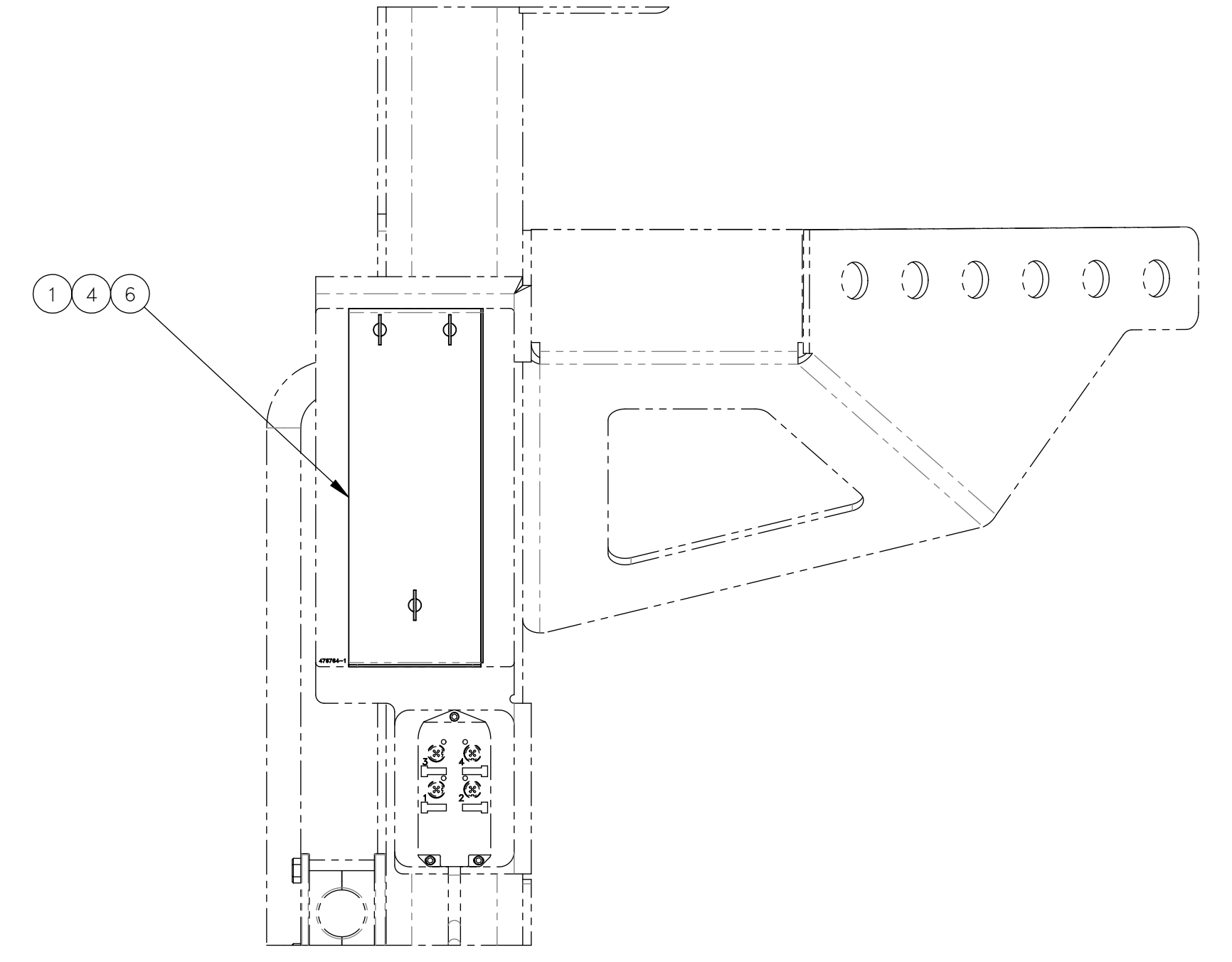
DETAIL C
SCALE 1 : 4



DETAIL B
SCALE 1 : 4



SECTION A-A
SCALE 1 : 4



USED ON:
930582
932591
935582
945582

REV	EN	DESCRIPTION	DATE	DRN
1	00147	NEW RELEASE	6-23	PR

DIMENSION TOLERANCES UNLESS OTHERWISE SPECIFIED

LINEAR	.XX=±.03	.XXX=±.010	KERF ALLOW.
ANGULAR	X' = ±1"	X.X' = ±.5"	

SURFACE FINISH NOT TO EXCEED 125 ✓ SMOOTH ALL SHARP EDGES CLEAN ALL WELDS

THIS PRINT AND ALL INFORMATION WITHIN BELONGS TO RACINE RAILROAD PRODUCTS

RACINE RAILROAD PRODUCTS
RACINE, WISCONSIN USA

DESCRIPTION
KIT, MURR BLOCK COVER:
DASP, SAR

MATERIAL TYPE
SEE BOM

USED ON	SCALE	DATE
SEE NOTE	1:48	04-26-23

DRN	WEIGHT (LBS)	JOB NO	SHEET
PR	23.90	RD190005	1 OF 1

DWG SIZE	CATALOG	DWG NO
D	K	793188