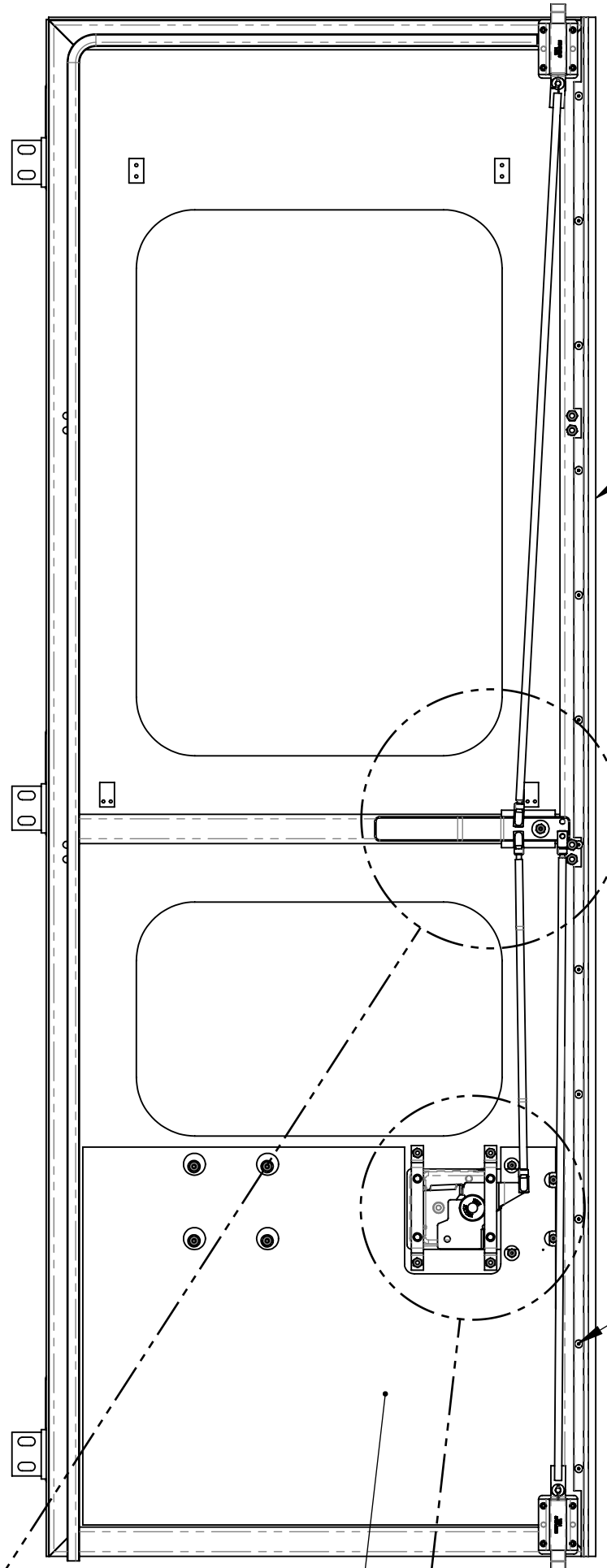
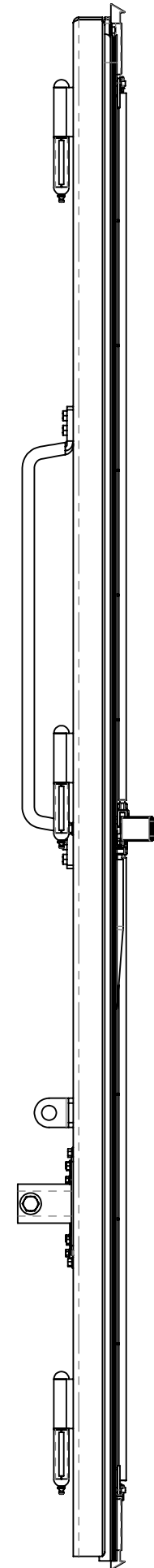
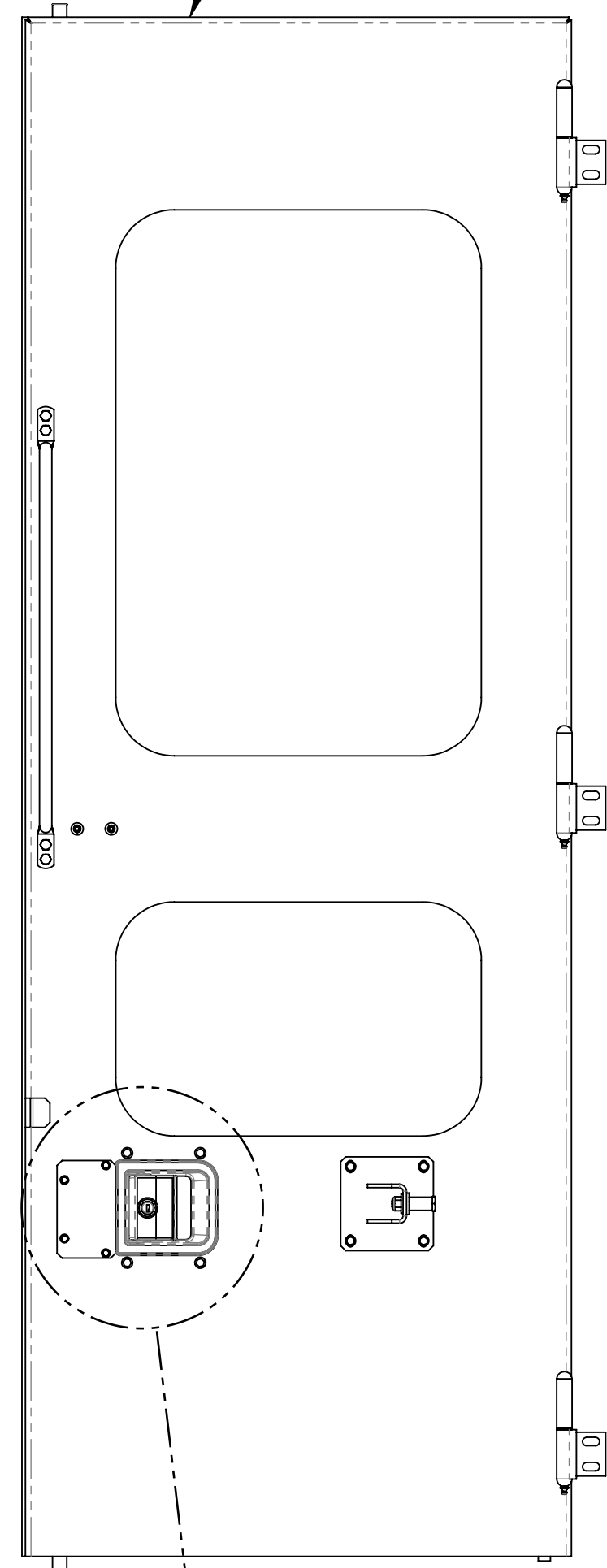
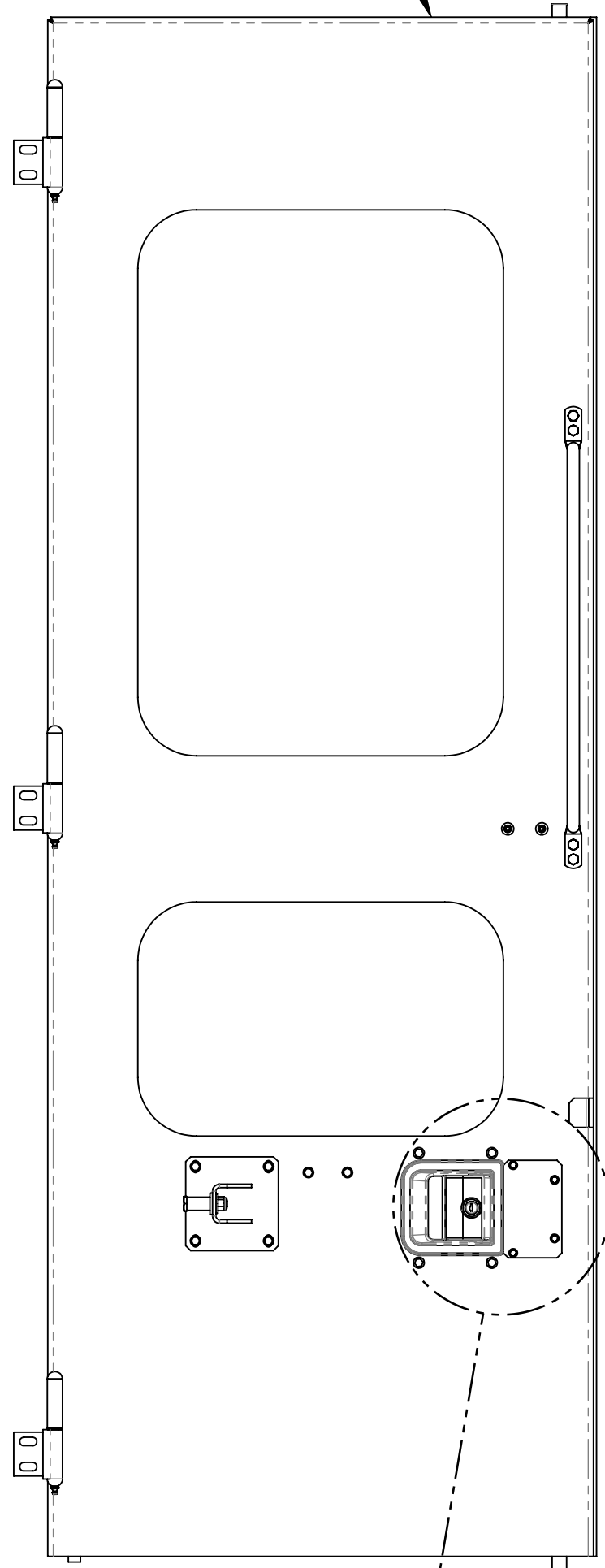
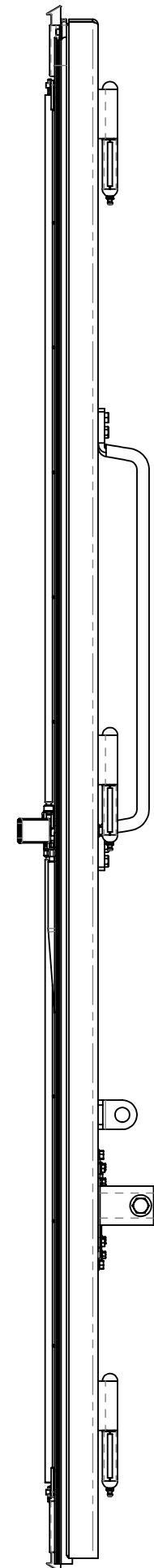
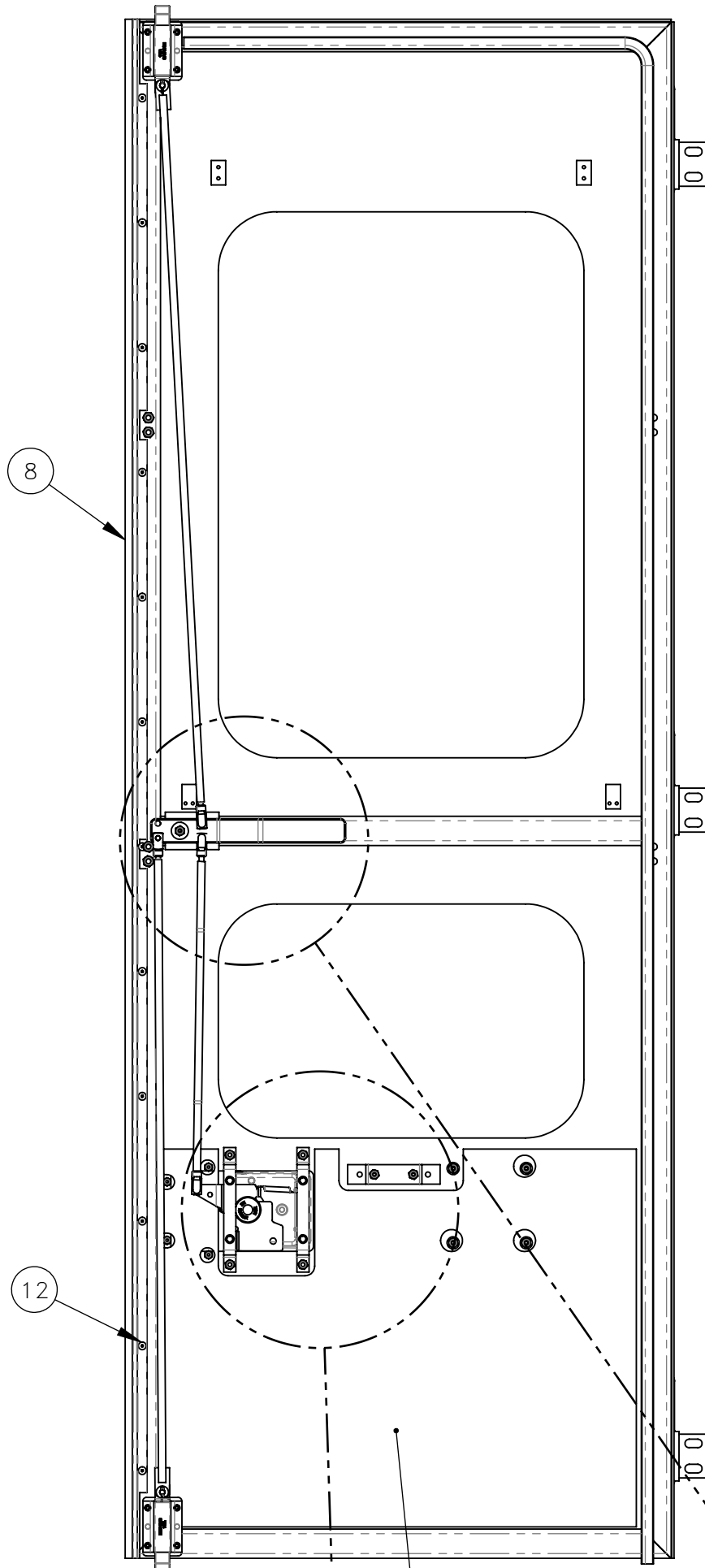


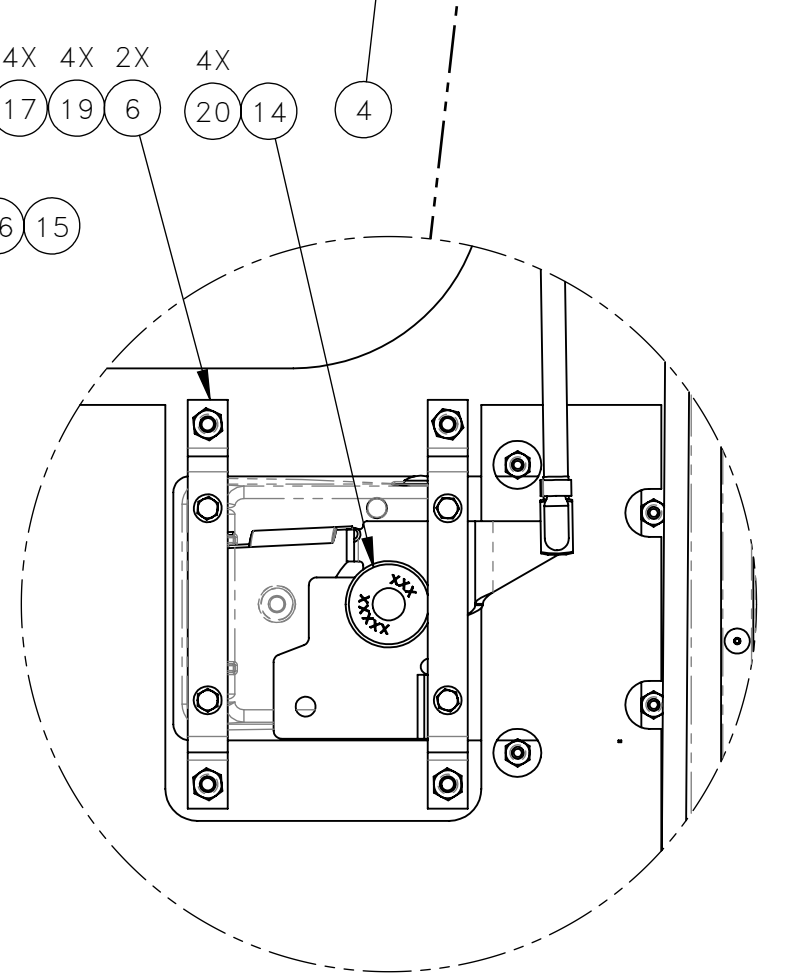
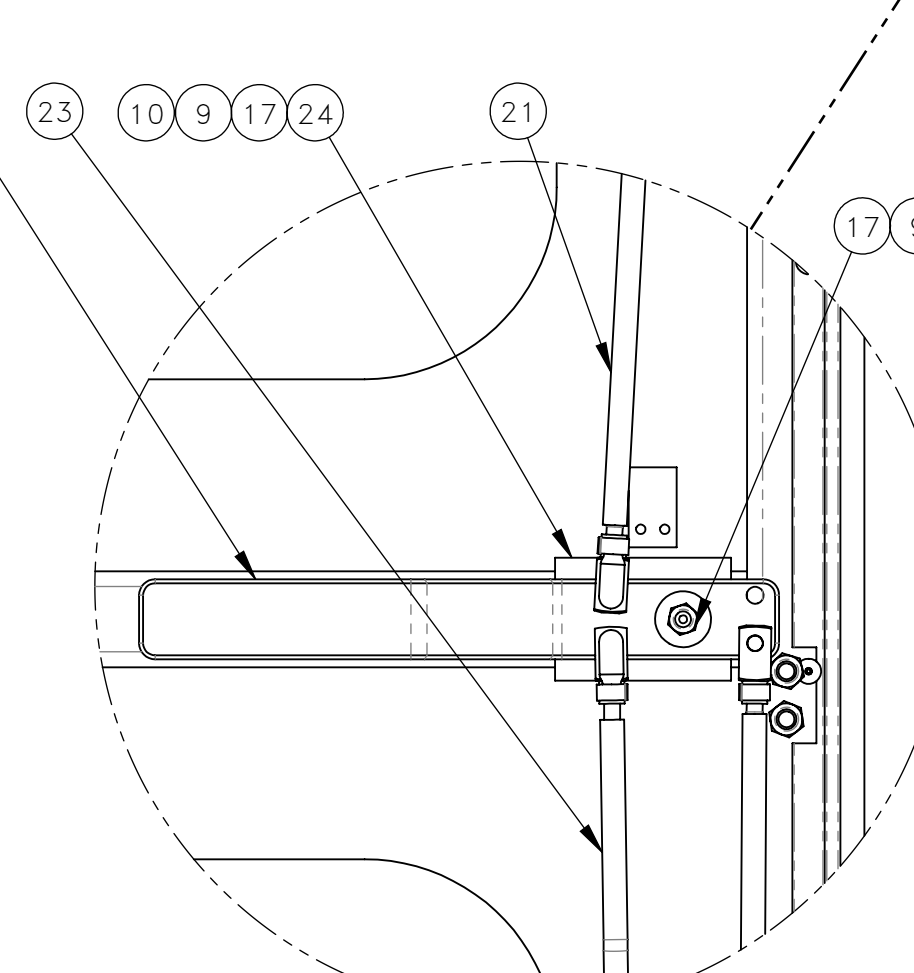
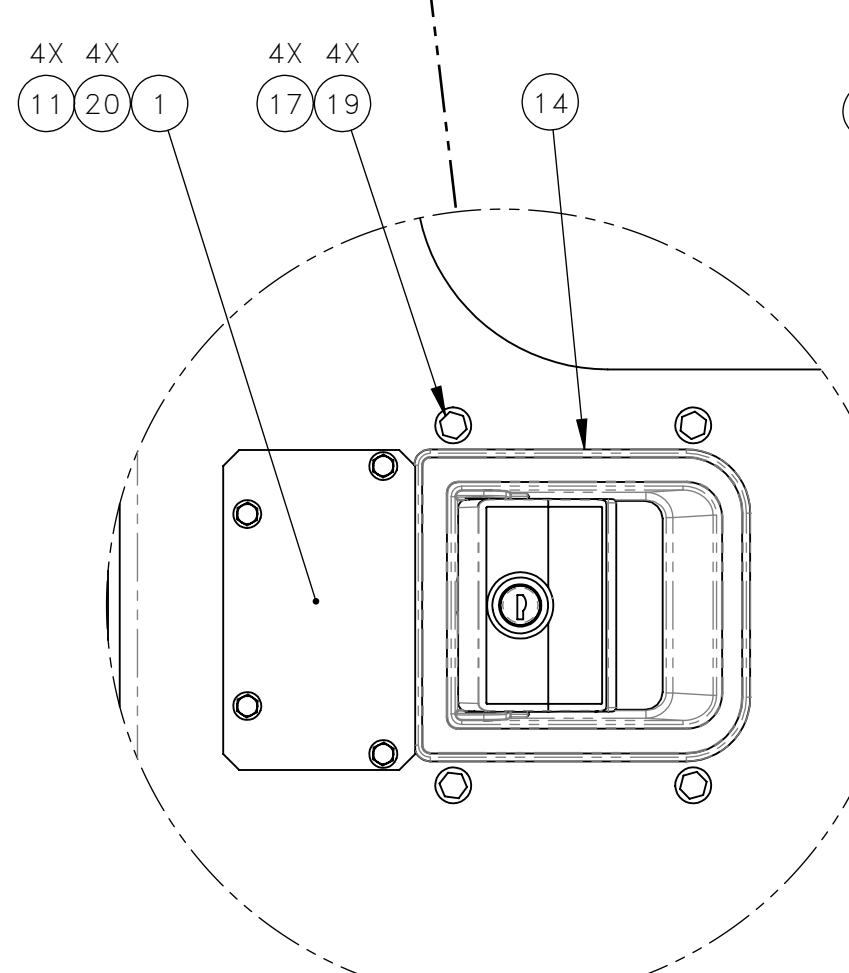
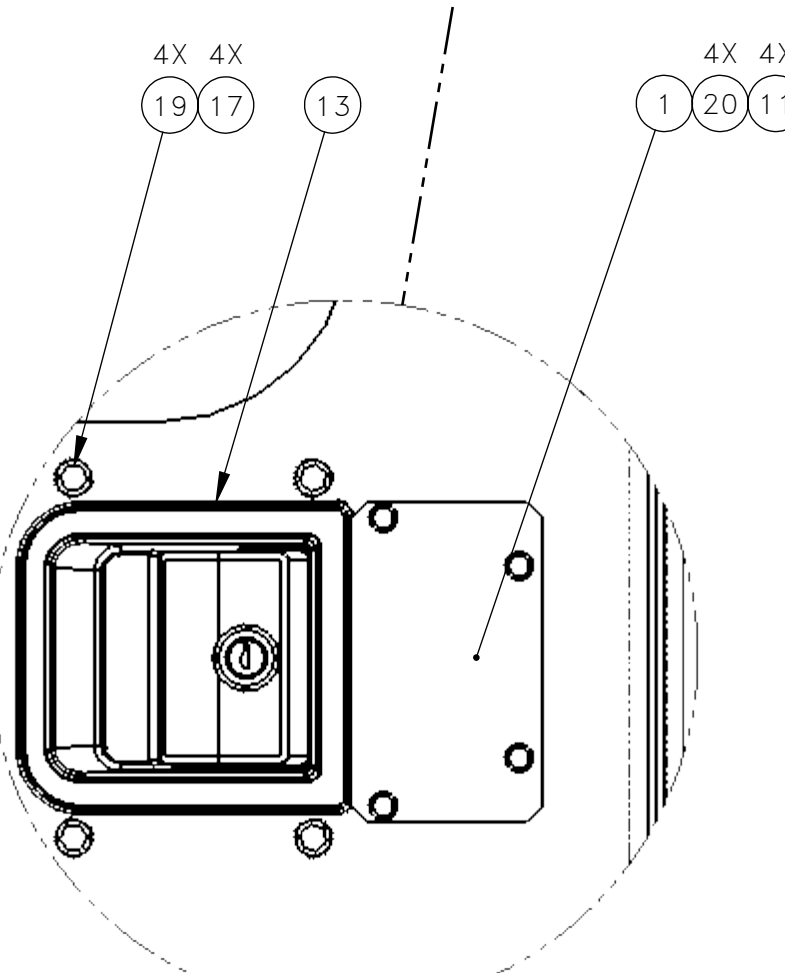
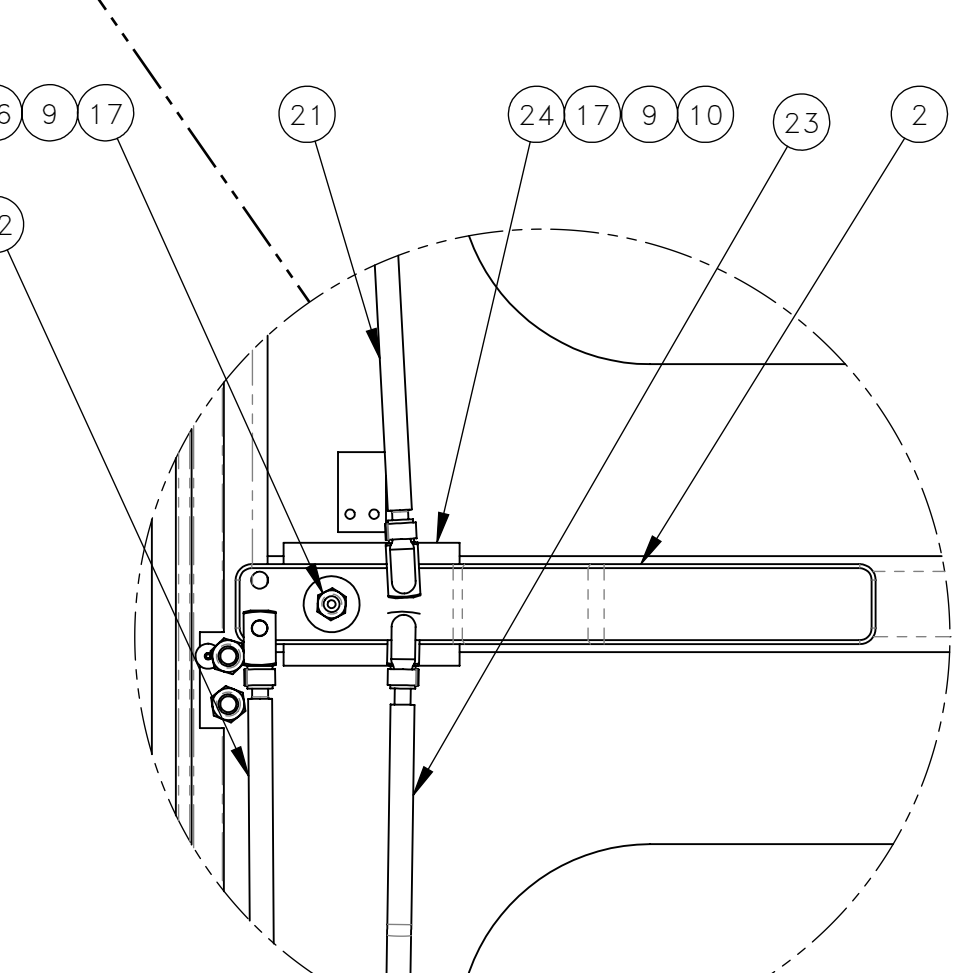
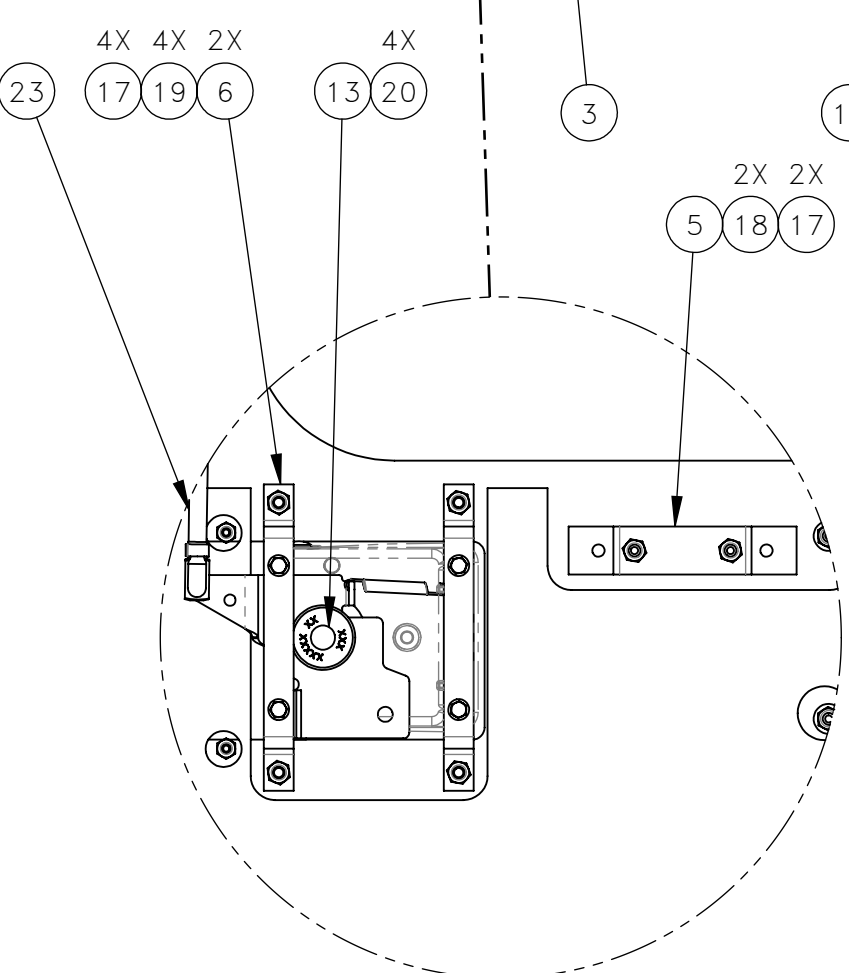
(REF 718185 DOOR, RIGHT)

(REF 718184 DOOR, RIGHT)



NO.	QTY	DESCRIPTION	PART NO.
1	2	PLATE, COVER	324150
2	2	HANDLE	324151
3	1	FOAM, DOOR: 19.38 X 24.25	324155
4	1	FOAM, DOOR: 19.38 X 24.25	324160
5	1	MOUNT, FIRST AID KIT	324164
6	4	MOUNT, LATCH	324167
7	1	WEATHERSTRIP, RIGHT DOOR FRAME	324470
8	1	WEATHERSTRIP, LEFT DOOR FRAME	324471
9	4	WASHER, FLT: .25	401626
10	2	SCR, SOC: .25-20 X 2.25	407649
11	8	NUT, HEX ES: 10-24	456470
12	24	RIVET, POP: .19 X .38	464393
13	1	LATCH, RIGHT DOOR	471271
14	1	LATCH, LEFT DOOR	471272
15	2	WASHER, FLT: .25	477183
16	2	SCR, SOC: .25-20 X 3.25	490664
17	14	NUT, HEX ES: .25-20	491232
18	2	SCR, HEX FLG: .25-20 X 1	491282
19	8	SCR, HEX FLG: .25-20 X .75	491553
20	16	SCR, HEX FLG: 10-24 X .62	492028
21	2	LINKAGE, DOOR UPPER	720505
22	2	LINKAGE, DOOR LOWER	720506
23	2	LINKAGE, HANDLE TO LATCH	720507
24	2	PIVOT, HANDLE	782486
25	1	INSTRUCTIONS: DOOR LATCH REPLACEMENT	800413

800413 (INSTRUCTIONS) NOT SHOWN



DETAIL F SCALE 1 : 4  
 DETAIL G SCALE 1 : 3  
 DETAIL E SCALE 1 : 3

DETAIL H SCALE 1 : 3  
 DETAIL K SCALE 1 : 3  
 DETAIL J SCALE 1 : 3

REV	EN	DESCRIPTION	DATE	DRN
1	00231	NEW RELEASE	7-23	KPB
2	00300	DEL 324163(2), ADD 782486(2)	9-23	KPB
3	00470	ADD 324470(1) 324471(1) 464393(24)	01-24	MAE

DIMENSION TOLERANCES UNLESS OTHERWISE SPECIFIED

LINEAR	.XX=±.03	.XXX=±.010	KERF ALLOW.
ANGULAR	X°=±1°	X.X°=±.5°	

SURFACE FINISH 125 SMOOTH ALL SHARP EDGES NOT TO EXCEED CLEAN ALL WELDS

THIS PRINT AND ALL INFORMATION WITHIN BELONGS TO RACINE RAILROAD PRODUCTS

**RACINE RAILROAD PRODUCTS**  
 RACINE, WISCONSIN USA

DESCRIPTION  
**KIT, DOOR LATCH REPLACEMENT**

MATERIAL TYPE  
 SEE BOM

USED ON	718090	719018	719056	SCALE	DATE
DRN	KB	WEIGHT (LBS)	JOB NO	SHEET	
	DWG SIZE	CATALOG	DWG NO		

D N 793191

SW MATERIAL: Material not specified