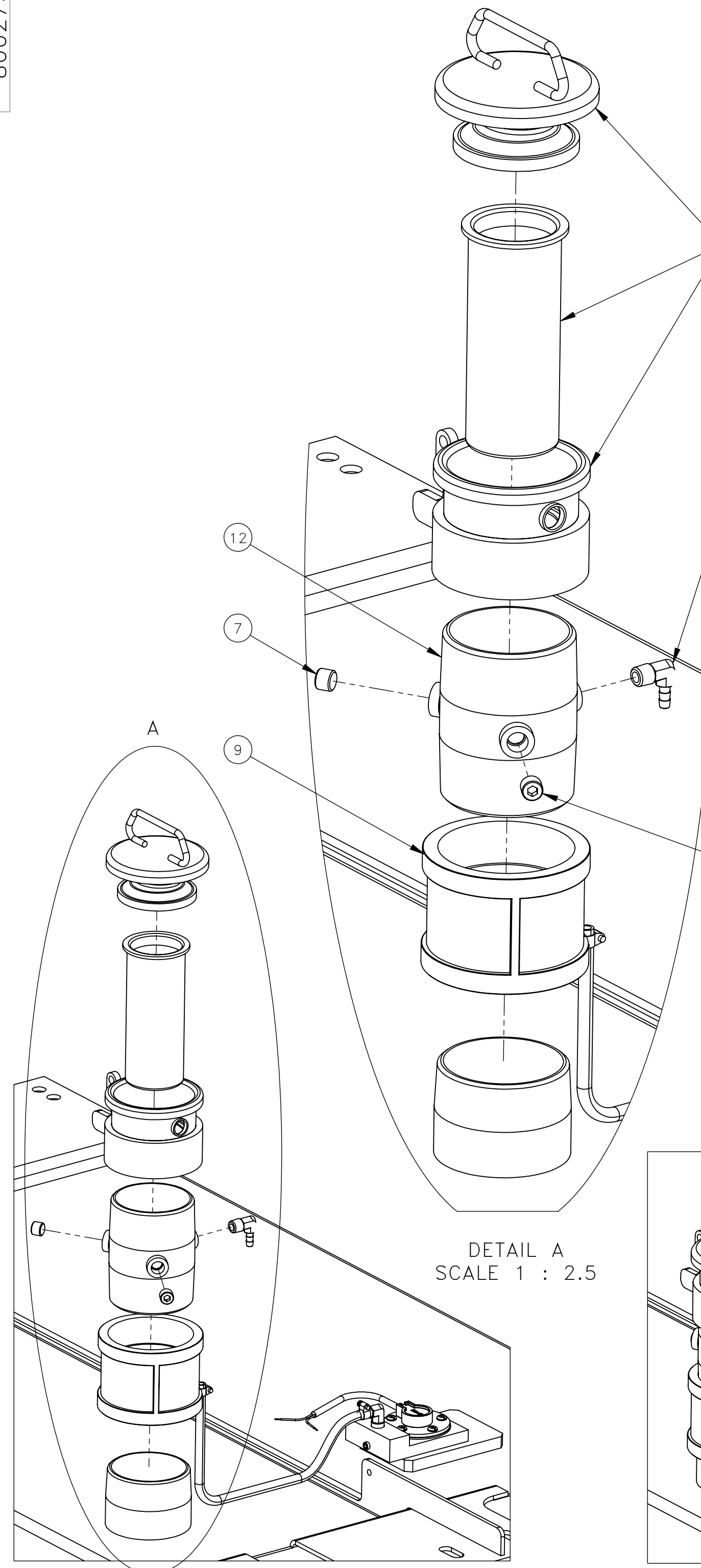


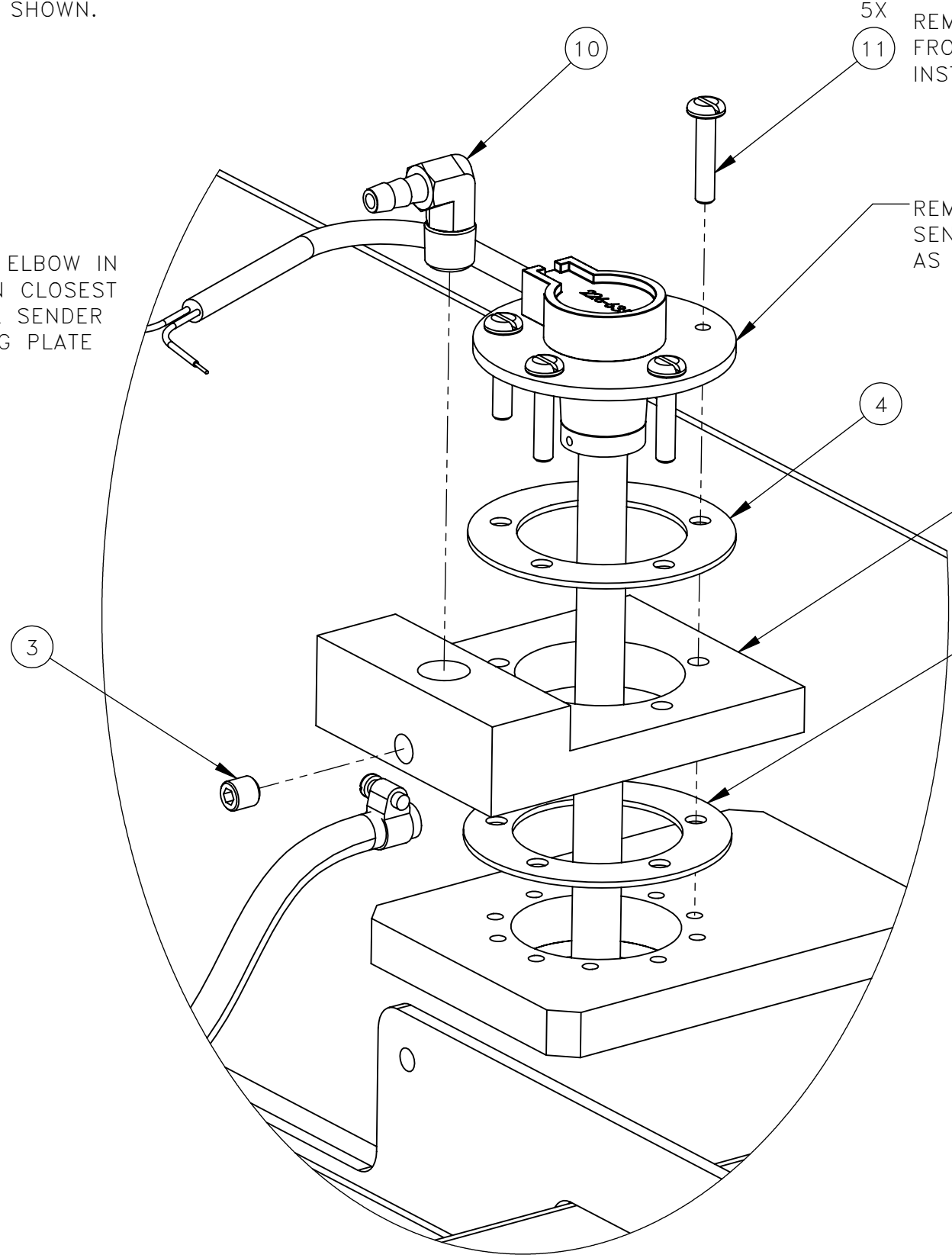
NO.	QTY.	DESCRIPTION	PART NO.
1	REF	LOCTITE, 592	008807
2	REF	GASKET, PERMATEX	008809
3	REF	PLUG, .06 NPT (M)	25005228
4	REF	GASKET, ELECTRIC FUEL GAUGE OPENING	315171
5	REF	PLATE, FUEL SENDER ADAPTING	318628
6	REF	HOSE, FUEL: .25 ID	318657
7	REF	PLUG, .25 NPT(M)	400928
8	REF	CLAMP, HOSE: .22-.62 DIA	457465
9	REF	COUPLING, 3 NPT(F)	473400
10	REF	HOSE END, #4 HOSE X .25 NPT(M) 90° ELBOW BRASS	473401
11	REF	SCR, PAN: M5-0.8 X 25	492081
12	REF	EXTENSION, FUEL FILLER	781381



DETAIL A
SCALE 1 : 2.5

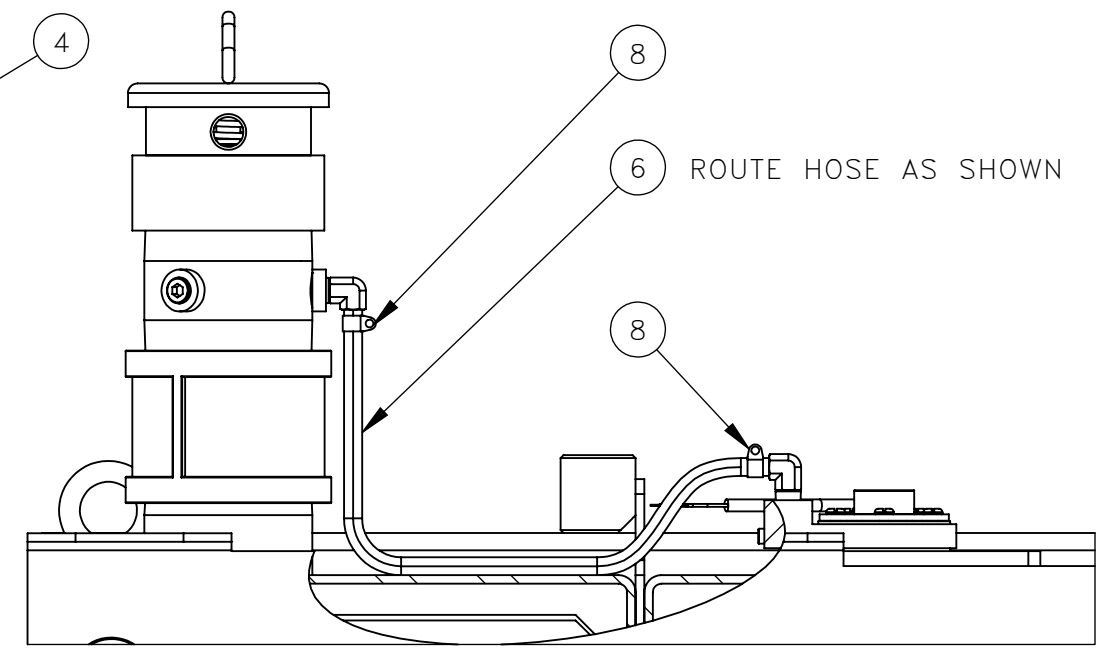
REMOVE AND REINSTALL FUEL CAP, STRAINER, AND MOUNTING NECK AS SHOWN.

INSTALL ELBOW IN POSITION CLOSEST TO FUEL SENDER ADAPTING PLATE

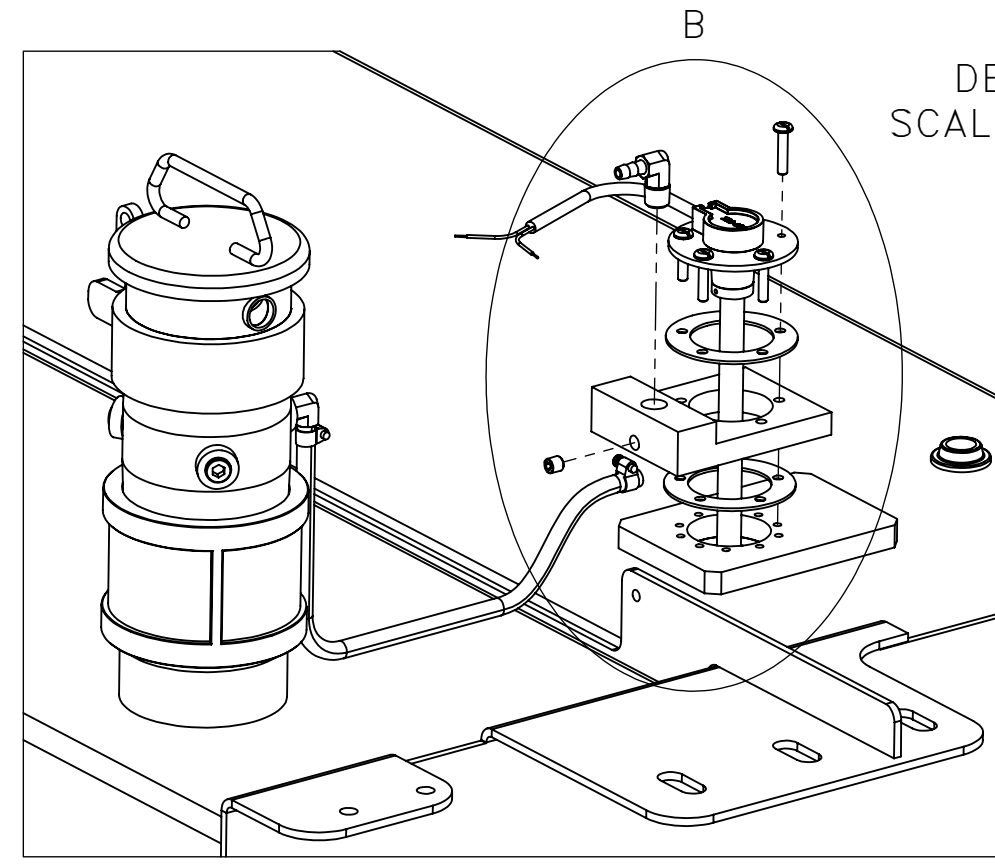


REMOVE AND DISCARD SCREWS FROM FUEL TANK ASSEMBLY. INSTALL SUPPLIED SCREWS

REMOVE FUEL GAUGE SENDER AND REINSTALL AS SHOWN



ROUTE HOSE AS SHOWN



DETAIL B
SCALE 1 : 1.5

- NOTES:
1. APPLY LOCTITE 592 THREAD SEALANT OR EQUIVALENT TO ALL PIPE THREADS.
 2. APPLY PERMATEX FORM-A-GASKET #2 OR EQUIVALENT TO BOTH SIDES OF GASKETS PRIOR TO ASSEMBLY.
 3. CUT SUPPLIED HOSE TO LENGTH AS REQUIRED.

REV	EN	DESCRIPTION	DATE	DRN
1	3031	NEW RELEASE	3-18	ERL
2	3100	DEL 400925, ADD 25005228	4-18	ERL

DIMENSION TOLERANCES UNLESS OTHERWISE SPECIFIED			
LINEAR	.XX=±.03	.XXX=±.010	
ANGULAR	X°=±1°	X.X°=±.5°	

SURFACE FINISH 125 ✓ SMOOTH ALL SHARP EDGES NOT TO EXCEED CLEAN ALL WELDS

THIS PRINT AND ALL INFORMATION WITHIN BELONGS TO RACINE RAILROAD PRODUCTS

RACINE RAILROAD PRODUCTS
RACINE, WISCONSIN USA

DESCRIPTION
INSTRUCTIONS, FUEL TANK VENT

MATERIAL		REFERENCE	
USED ON	793011	SCALE	DATE
		1:4	04-03-18
DRN	CHK	APP	JOB NO
ERL			RD150003
EXP NO			SHEET
			1 OF 1
			DWG NO
			800273