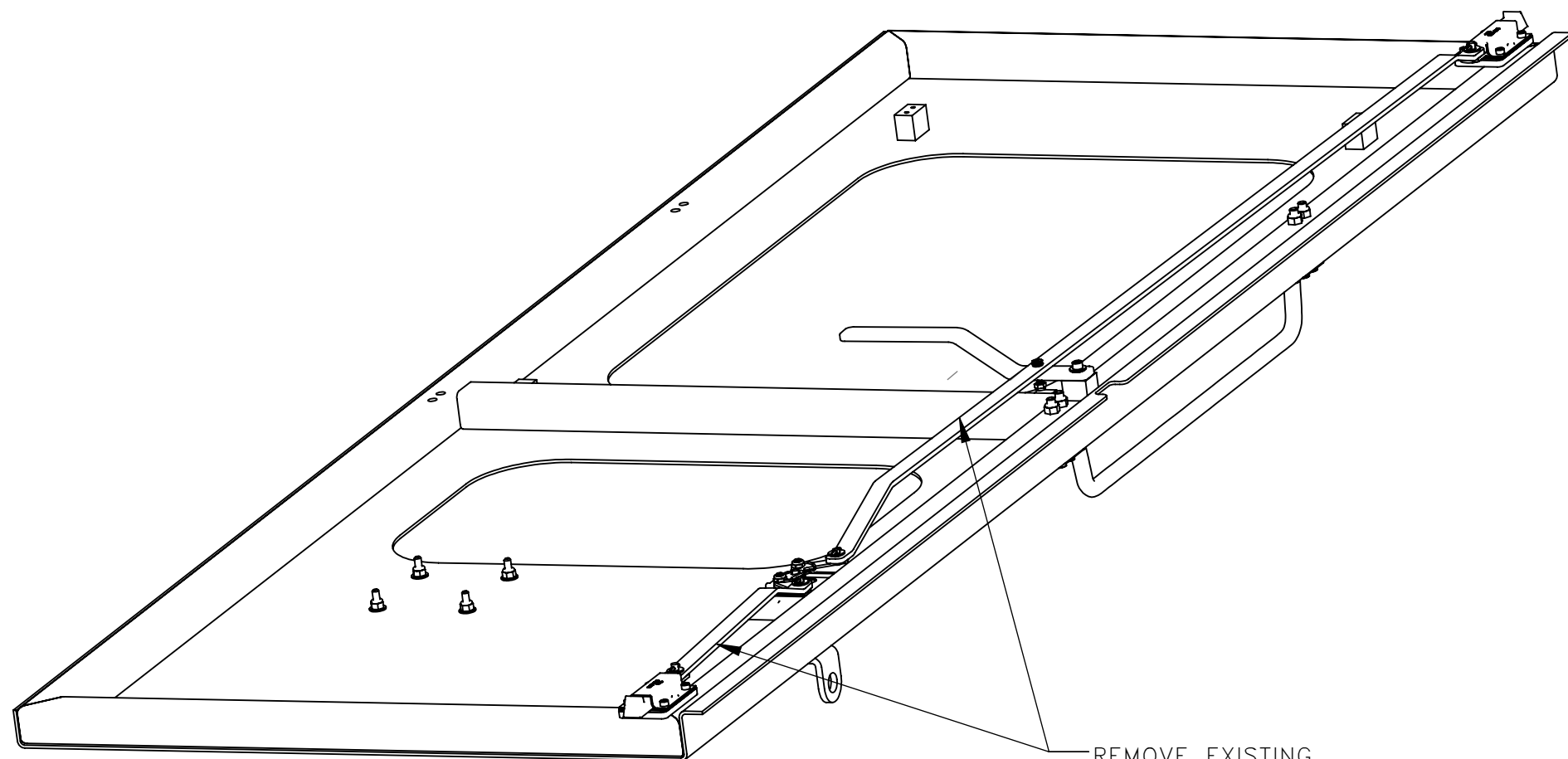
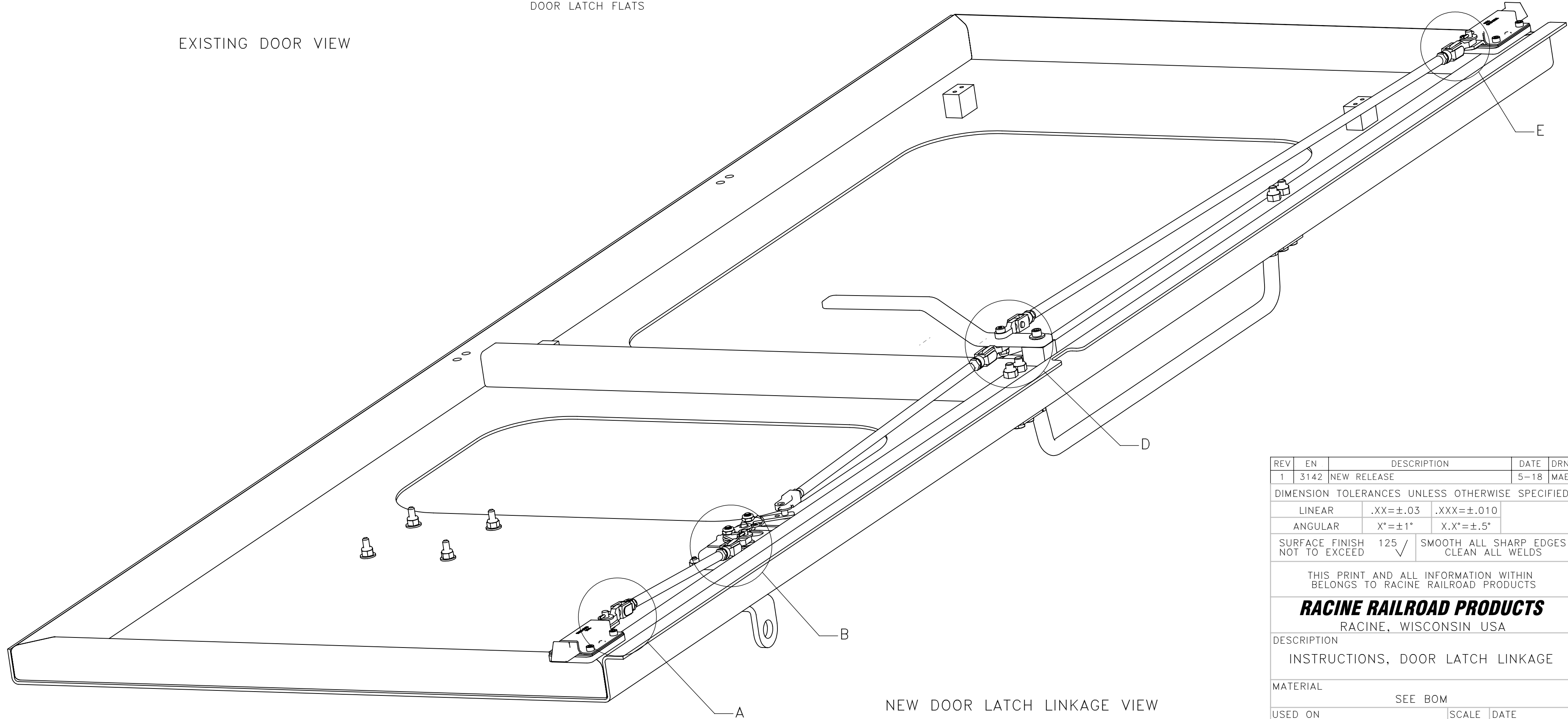


| NO. | QTY | DESCRIPTION                | PART NO. |
|-----|-----|----------------------------|----------|
| 1   | REF | FLAT                       | 317777   |
| 2   | REF | FLAT                       | 317778   |
| 3   | REF | U-JOINT                    | 318754   |
| 4   | REF | ROD, REACH                 | 318755   |
| 5   | REF | ROD, REACH                 | 318756   |
| 6   | REF | ROD, REACH                 | 318757   |
| 7   | REF | LINK                       | 318805   |
| 8   | REF | NUT, HEX JAM: .25-28       | 401009   |
| 9   | REF | SCR, SOC SHLD: .25 X .5    | 471064   |
| 10  | REF | SCR, SOC SHLD: .25 X .75   | 491872   |
| 11  | REF | CLEVIS, .25-28 THD .25 PIN | 492121   |



EXISTING DOOR VIEW

REMOVE EXISTING  
DOOR LATCH FLATS



NEW DOOR LATCH LINKAGE VIEW

| REV | EN   | DESCRIPTION | DATE | DRN |
|-----|------|-------------|------|-----|
| 1   | 3142 | NEW RELEASE | 5-18 | MAE |

DIMENSION TOLERANCES UNLESS OTHERWISE SPECIFIED

|         |          |            |
|---------|----------|------------|
| LINEAR  | .XX=±.03 | .XXX=±.010 |
| ANGULAR | X°=±1°   | X.X°=±.5°  |

SURFACE FINISH 125 / ✓ SMOOTH ALL SHARP EDGES  
NOT TO EXCEED CLEAN ALL WELDS

THIS PRINT AND ALL INFORMATION WITHIN  
BELONGS TO RACINE RAILROAD PRODUCTS

**RACINE RAILROAD PRODUCTS**  
RACINE, WISCONSIN USA

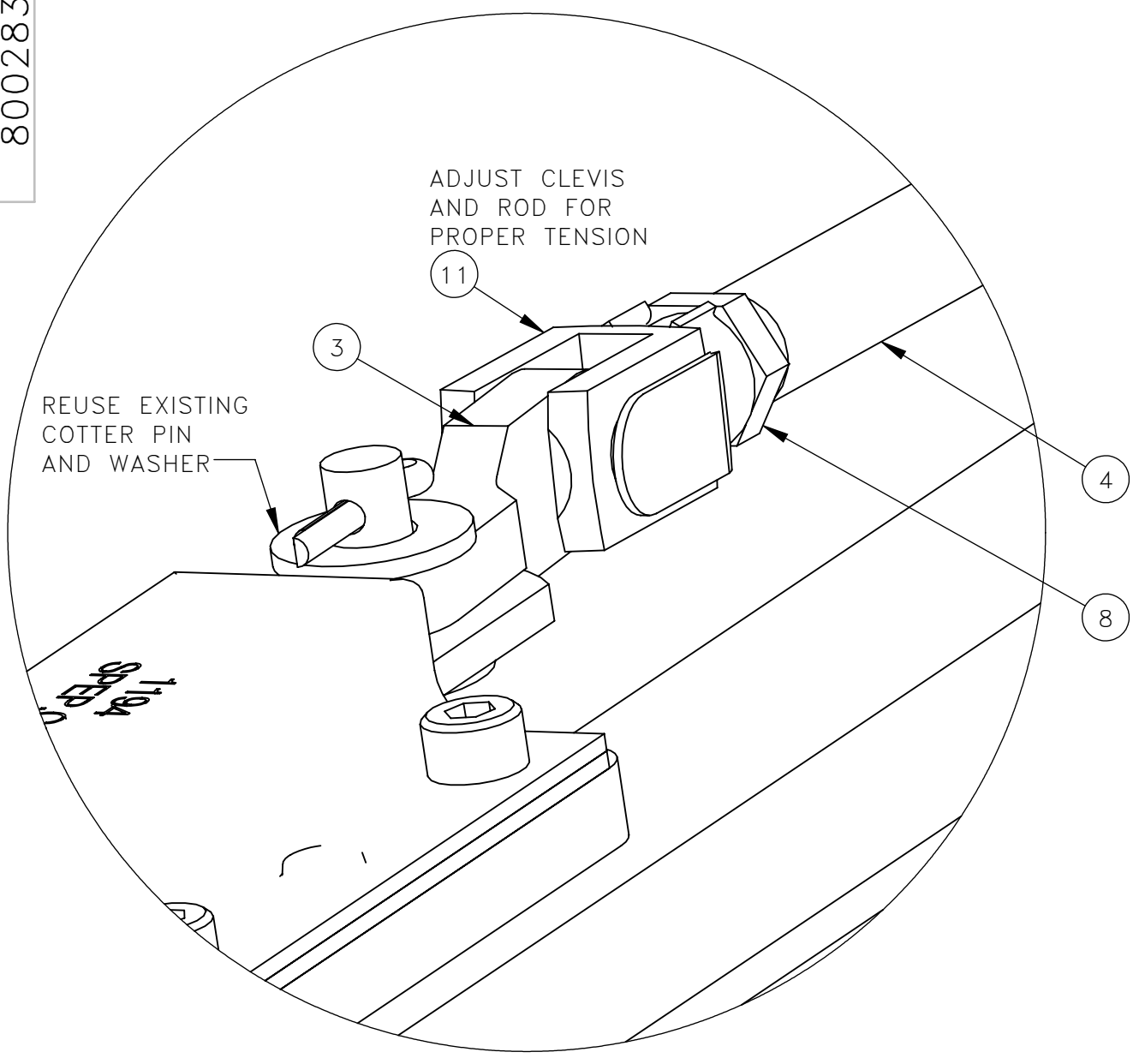
DESCRIPTION  
INSTRUCTIONS, DOOR LATCH LINKAGE

MATERIAL  
SEE BOM

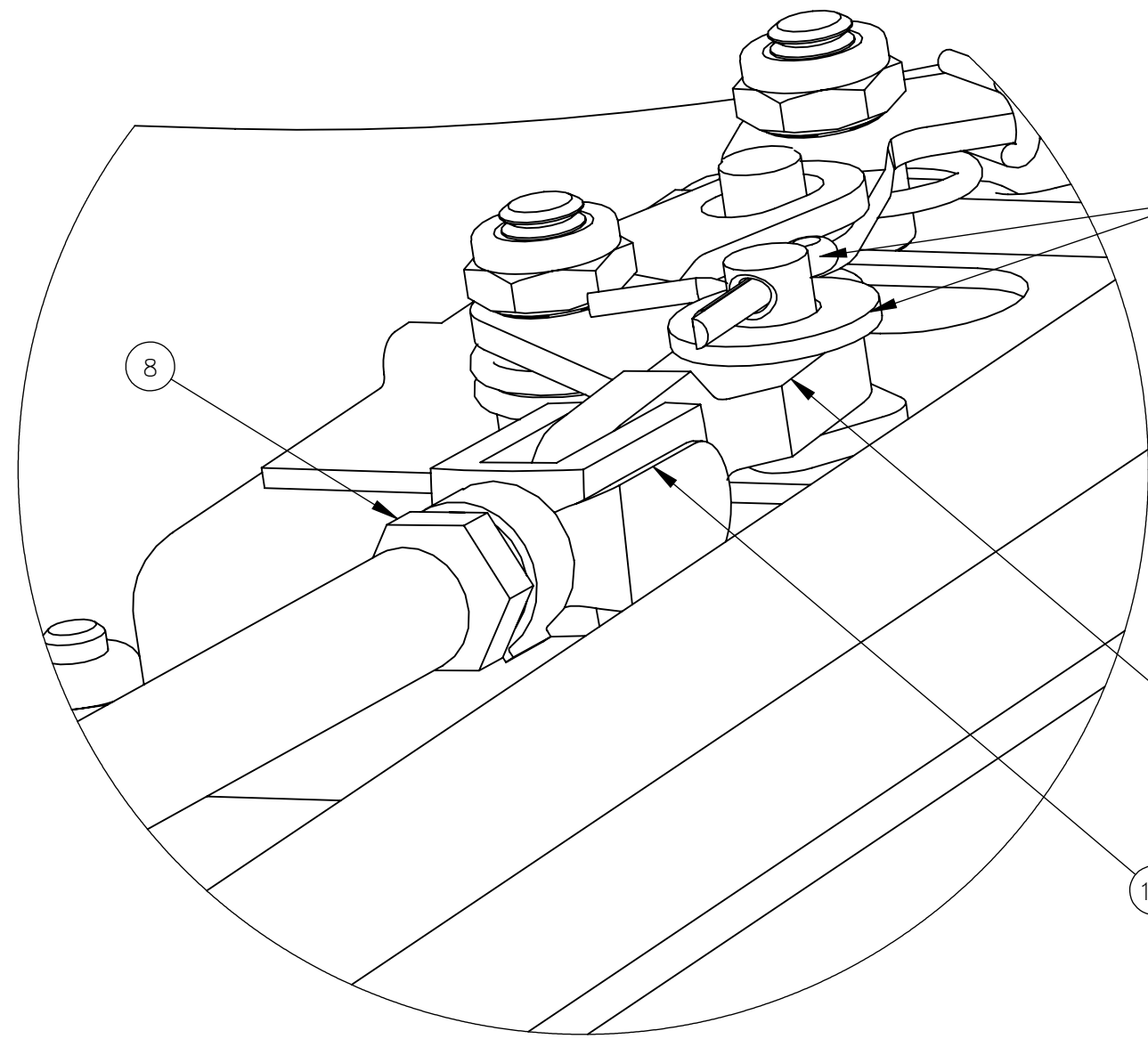
|         |        |       |     |      |          |
|---------|--------|-------|-----|------|----------|
| USED ON | 793022 | SCALE | 1:3 | DATE | 05-09-18 |
|---------|--------|-------|-----|------|----------|

|     |    |     |     |        |          |       |        |
|-----|----|-----|-----|--------|----------|-------|--------|
| DRN | ME | CHK | APP | JOB NO | RD150002 | SHEET | 1 OF 2 |
|-----|----|-----|-----|--------|----------|-------|--------|

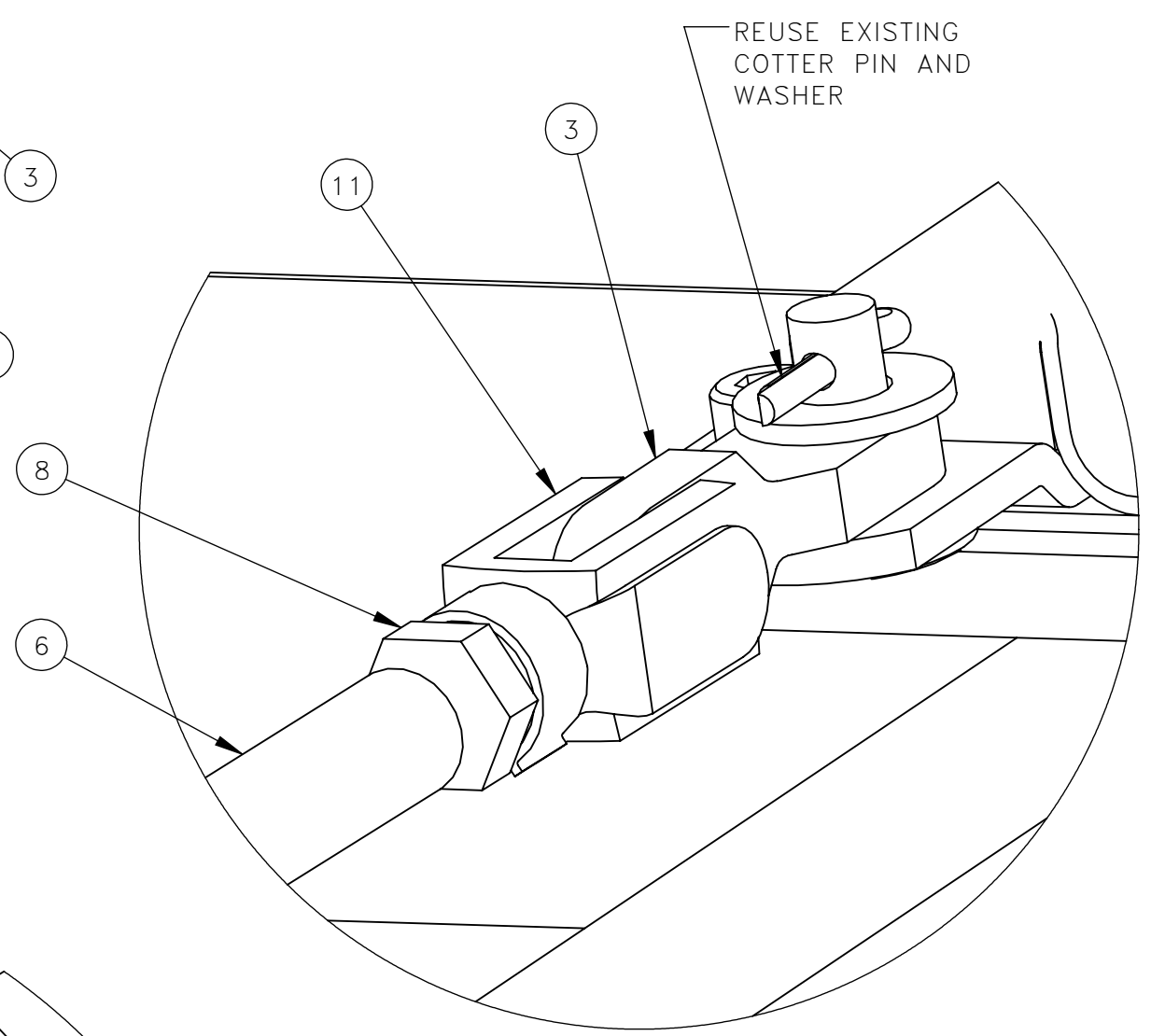
|        |  |        |        |
|--------|--|--------|--------|
| EXP NO |  | DWG NO | 800283 |
|--------|--|--------|--------|



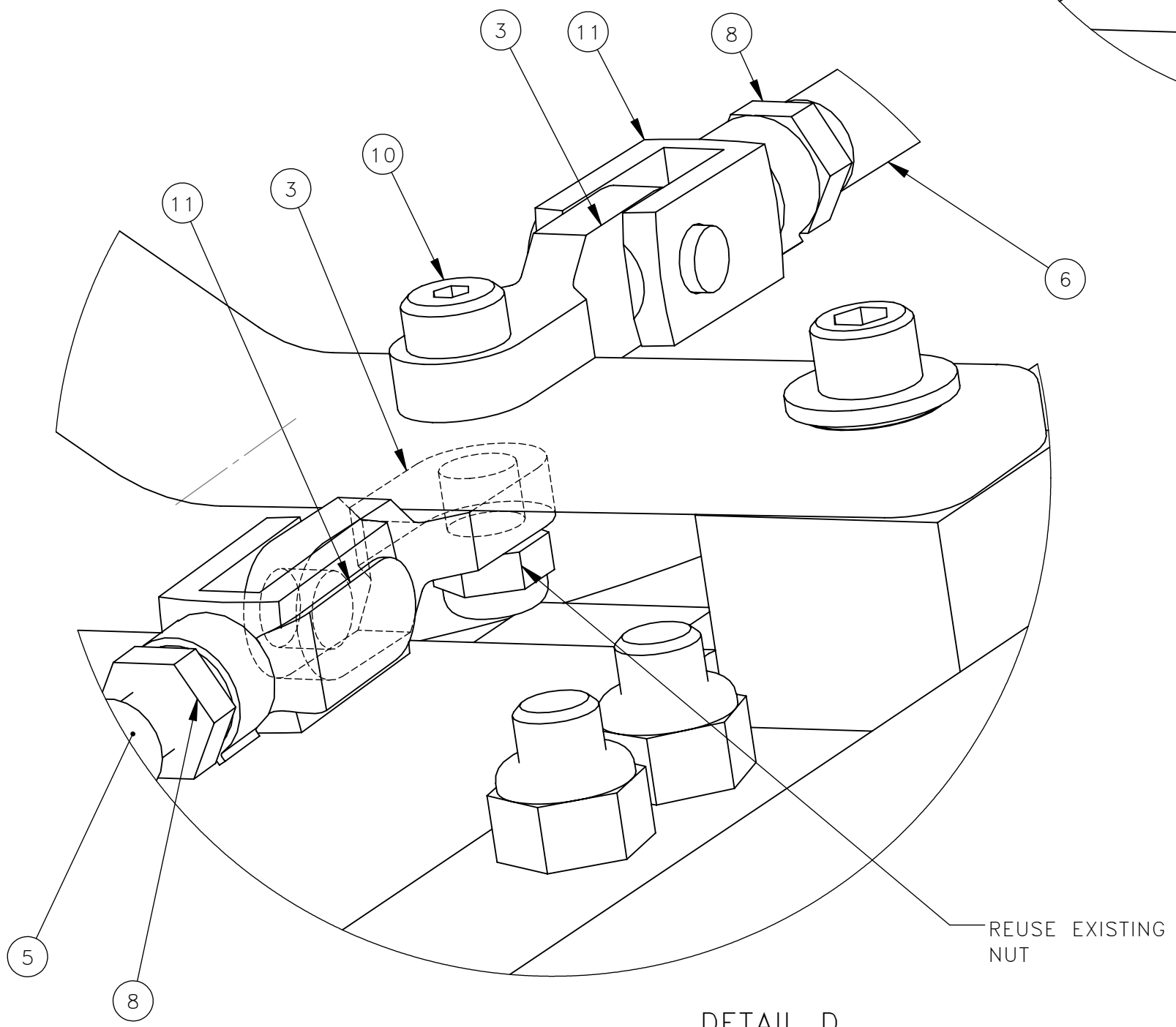
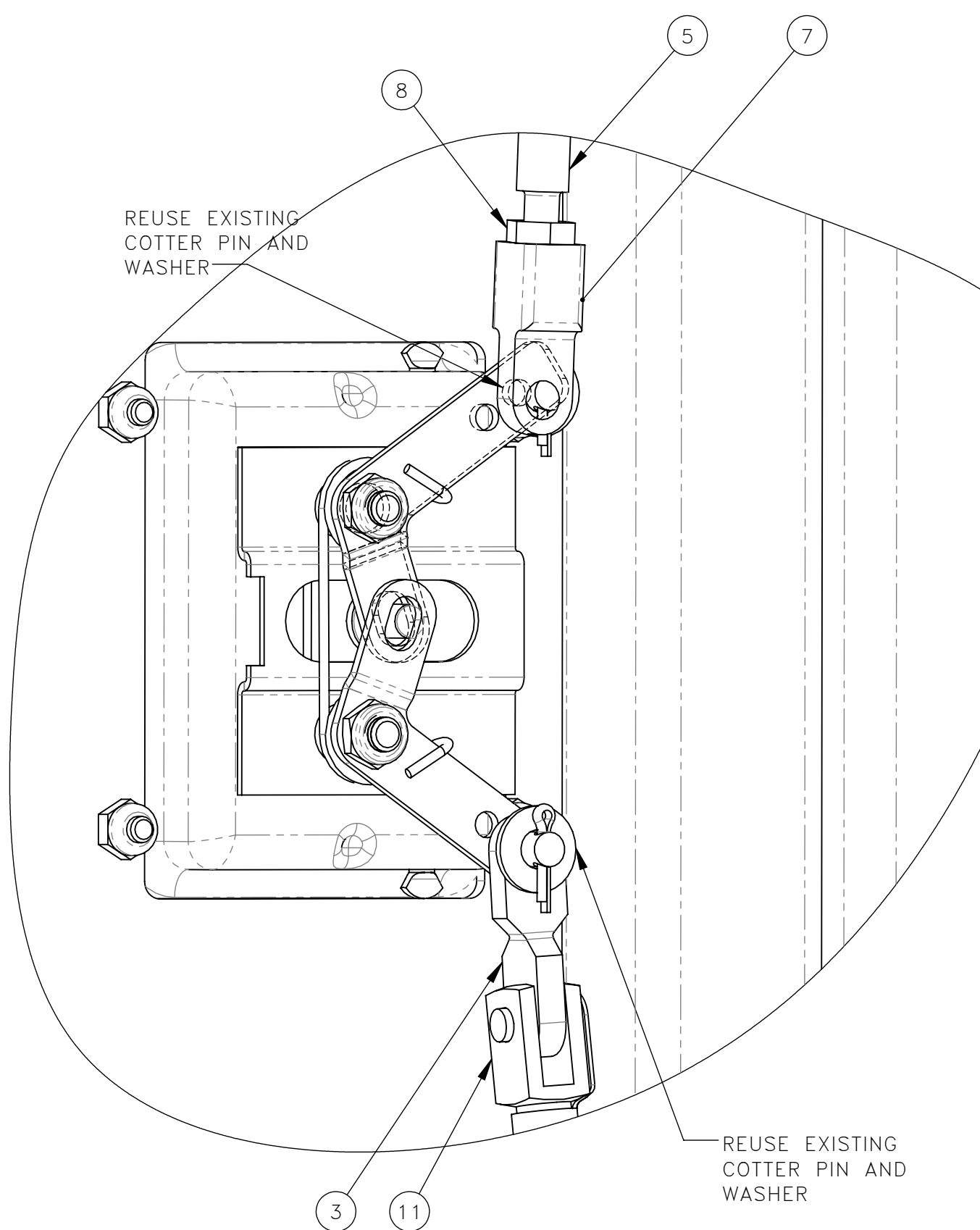
DETAIL A  
SCALE 2 : 1



DETAIL B  
SCALE 2 : 1



DETAIL E  
SCALE 2 : 1



DETAIL D  
SCALE 2 : 1

| REV  | EN   | DESCRIPTION | DATE                                      | DRN                |
|--|------|-------------|---|--------------------|
| 1  | 3142 | NEW RELEASE | 5-18                                      | MAE                |
| DIMENSION TOLERANCES UNLESS OTHERWISE SPECIFIED                              |      |             |   |                    |
| LINEAR   |      | .XX=±.03    | .XXX=±.010                                |                    |
| ANGULAR  |      | X°=±1°      | X.X°=±.5°                                 |                    |
| SURFACE FINISH   |      | 125 ✓       | SMOOTH ALL SHARP EDGES<br>CLEAN ALL WELDS |                    |
| THIS PRINT AND ALL INFORMATION WITHIN<br>BELONGS TO RACINE RAILROAD PRODUCTS |      |             |   |                    |
| <b>RACINE RAILROAD PRODUCTS</b><br>RACINE, WISCONSIN USA                     |      |             |   |                    |
| DESCRIPTION<br>INSTRUCTIONS, DOOR LATCH<br>LINKAGE                           |      |             |   |                    |
| MATERIAL<br>SEE BOM  |      |             |   |                    |
| USED ON  |      | 793022      | SCALE<br>1:4                              | DATE<br>05-09-18   |
| DRN  | ME   | CHK         | APP                                       | JOB NO<br>RD150002 |
| EXP NO   |      |             |   | SHEET<br>2 OF 2    |
|  |      |             | DWG NO<br>800283                          |                    |