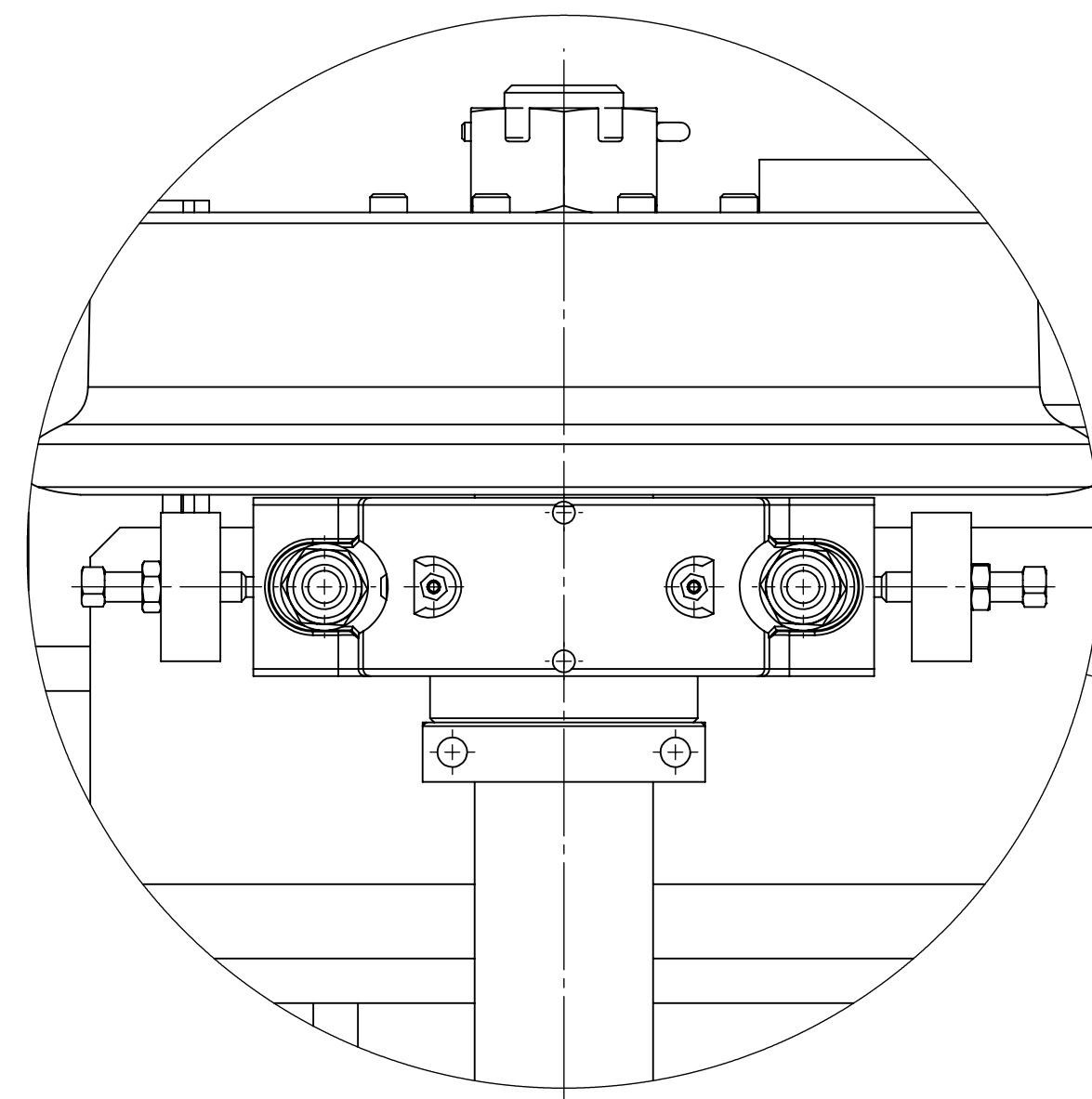
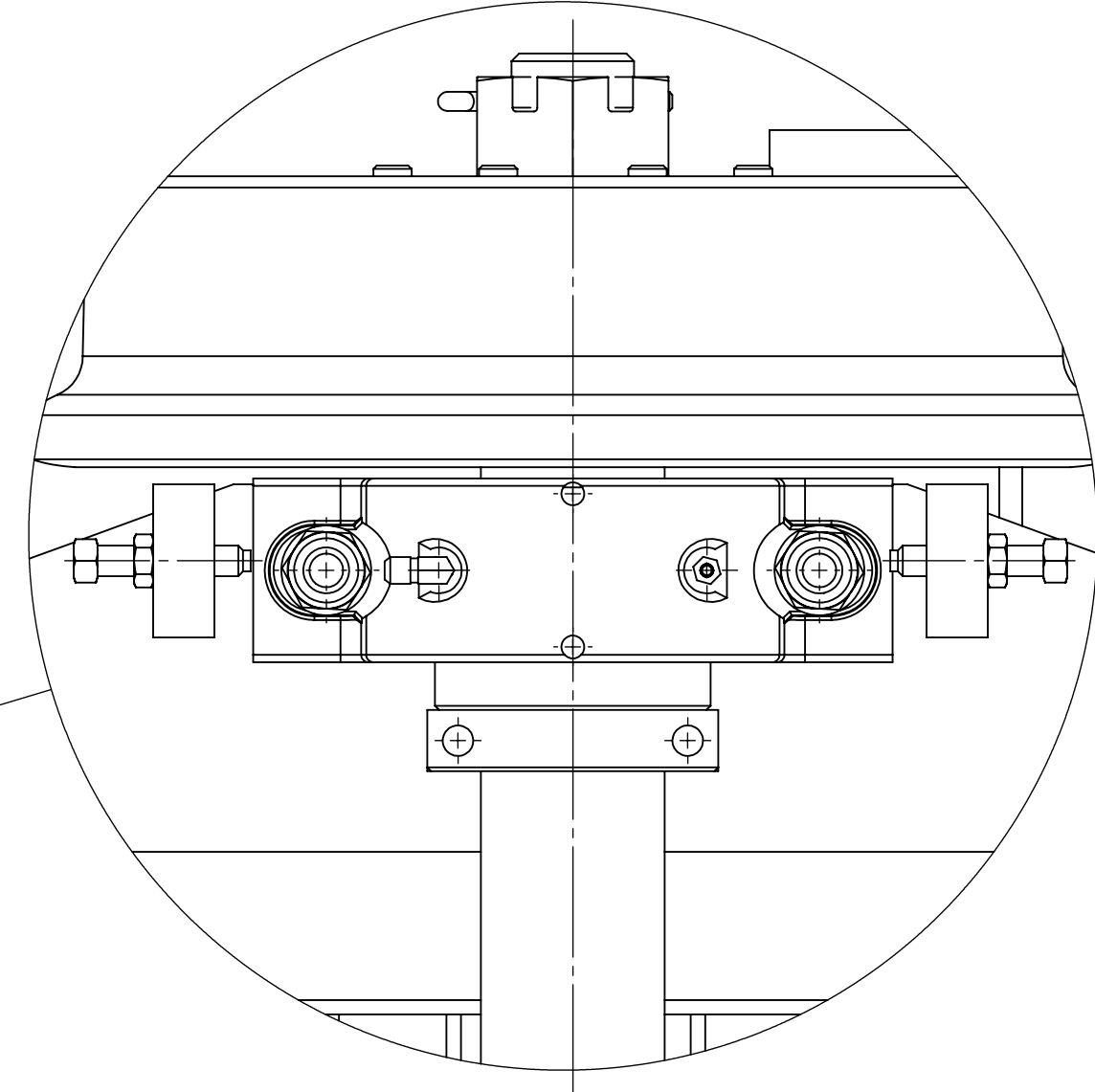


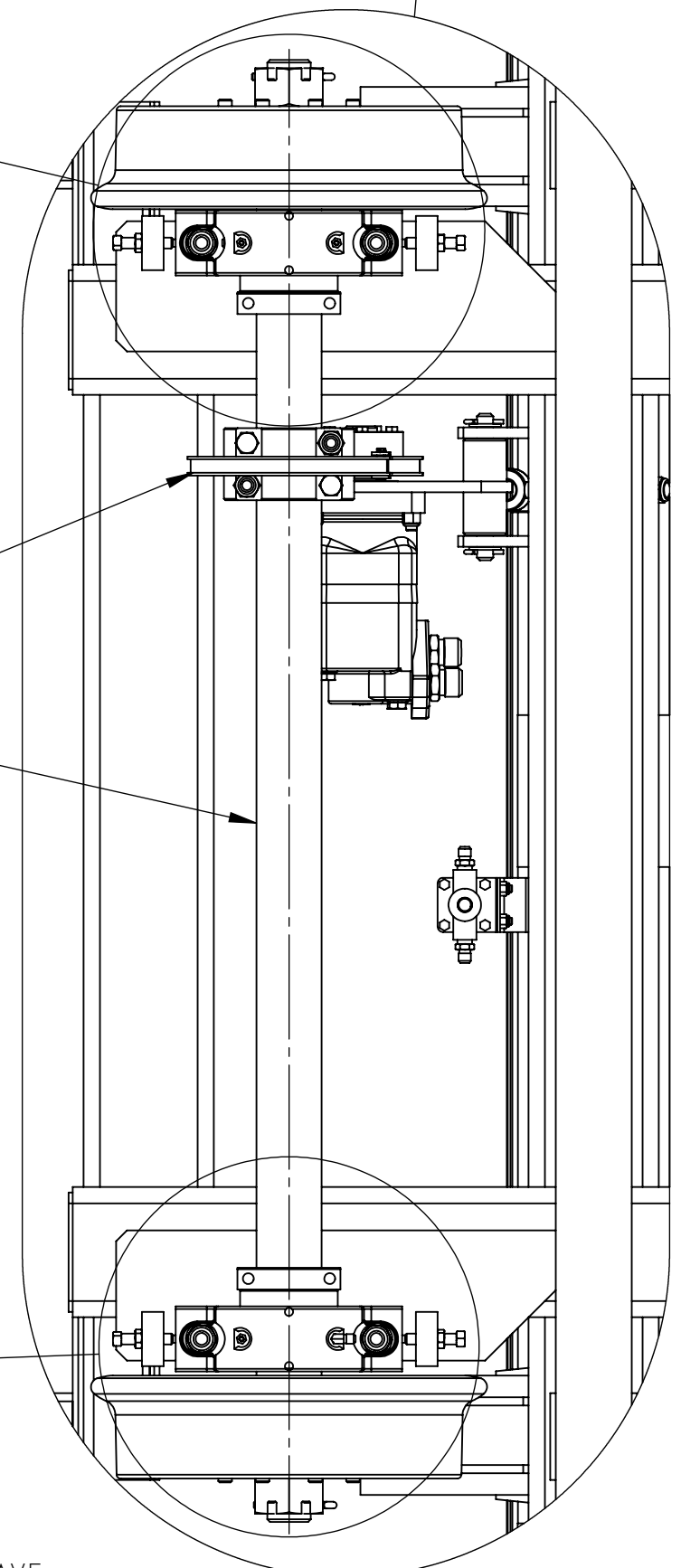
BOTTOM VIEW



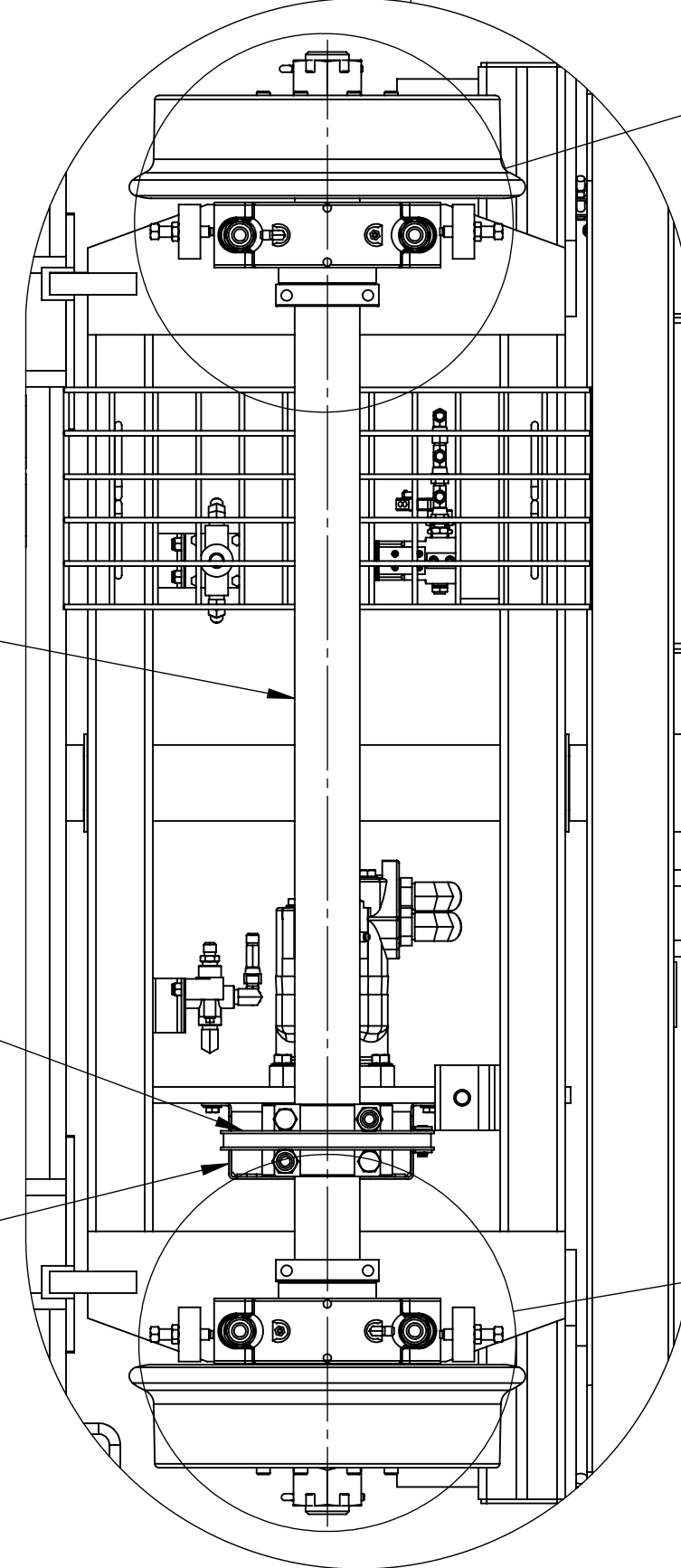
SCALE 1 : 3



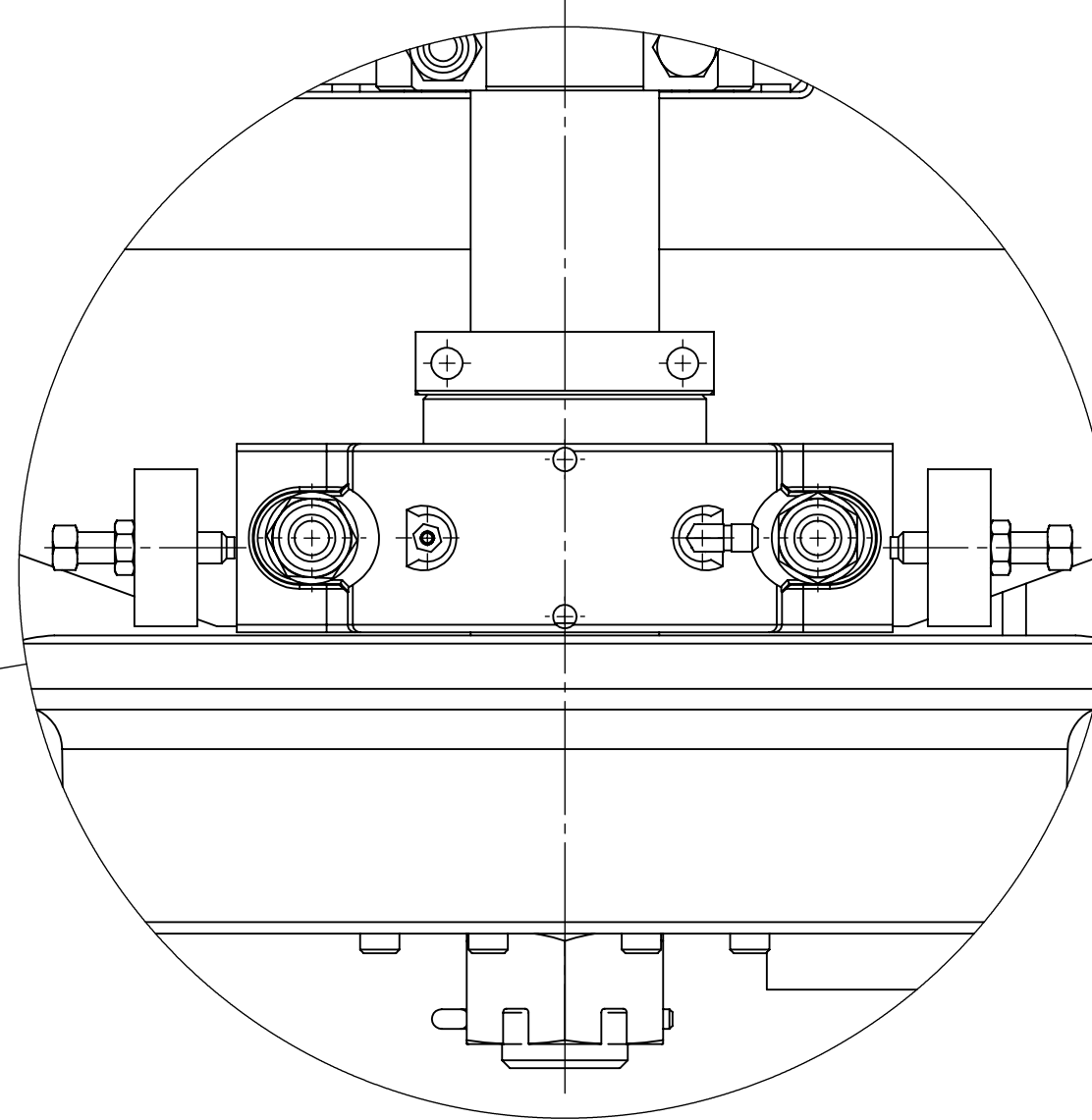
SCALE 1 : 3



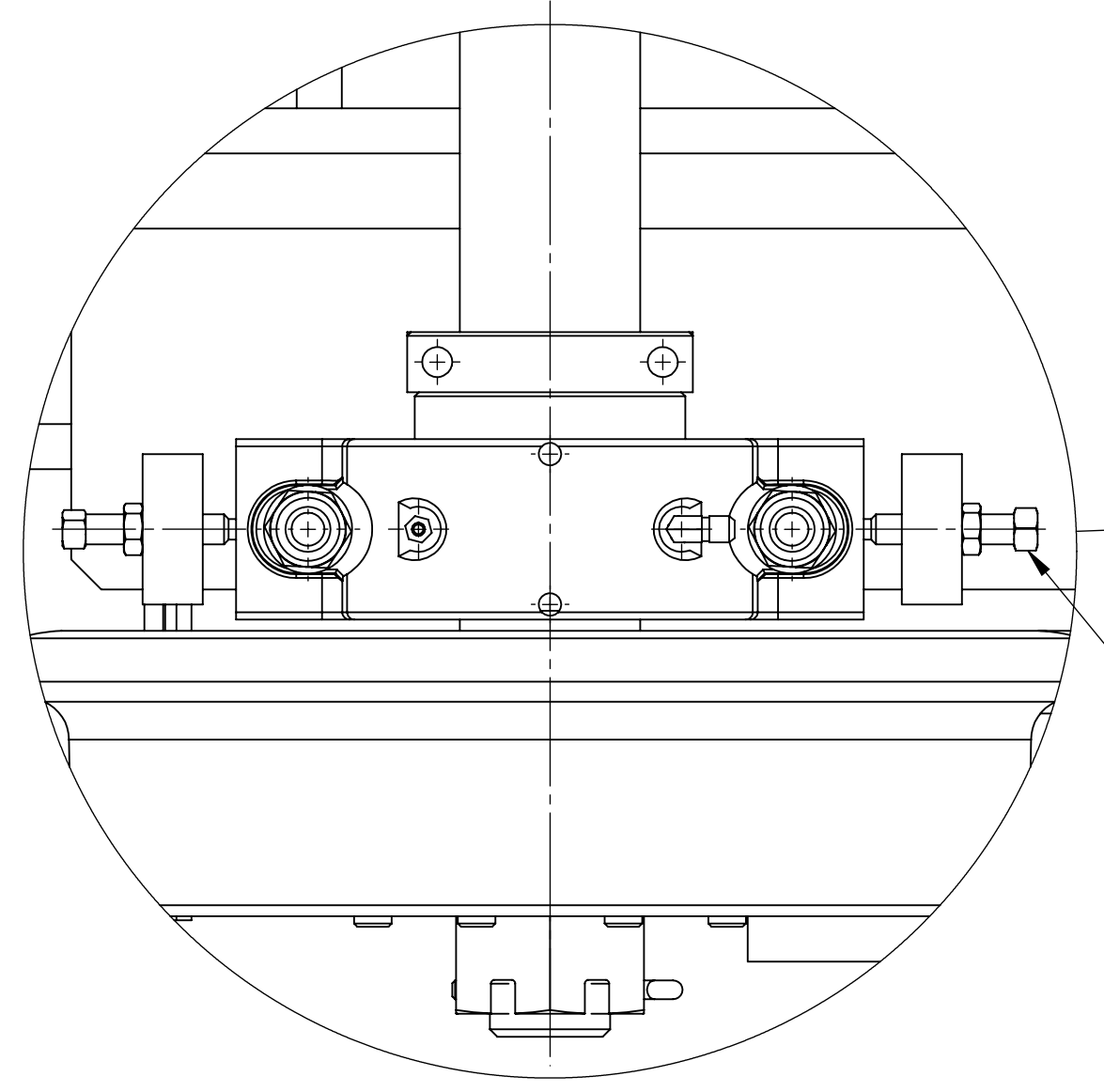
SCALE 1 : 8



SCALE 1 : 8



SCALE 1 : 3



SCALE 1 : 3

REMOVE AND SAVE  
ROLLER CHAIN AND LINK

REMOVE 3.0 DIA AXLE  
ASSEMBLY

REMOVE 3.0 DIA AXLE  
ASSEMBLY

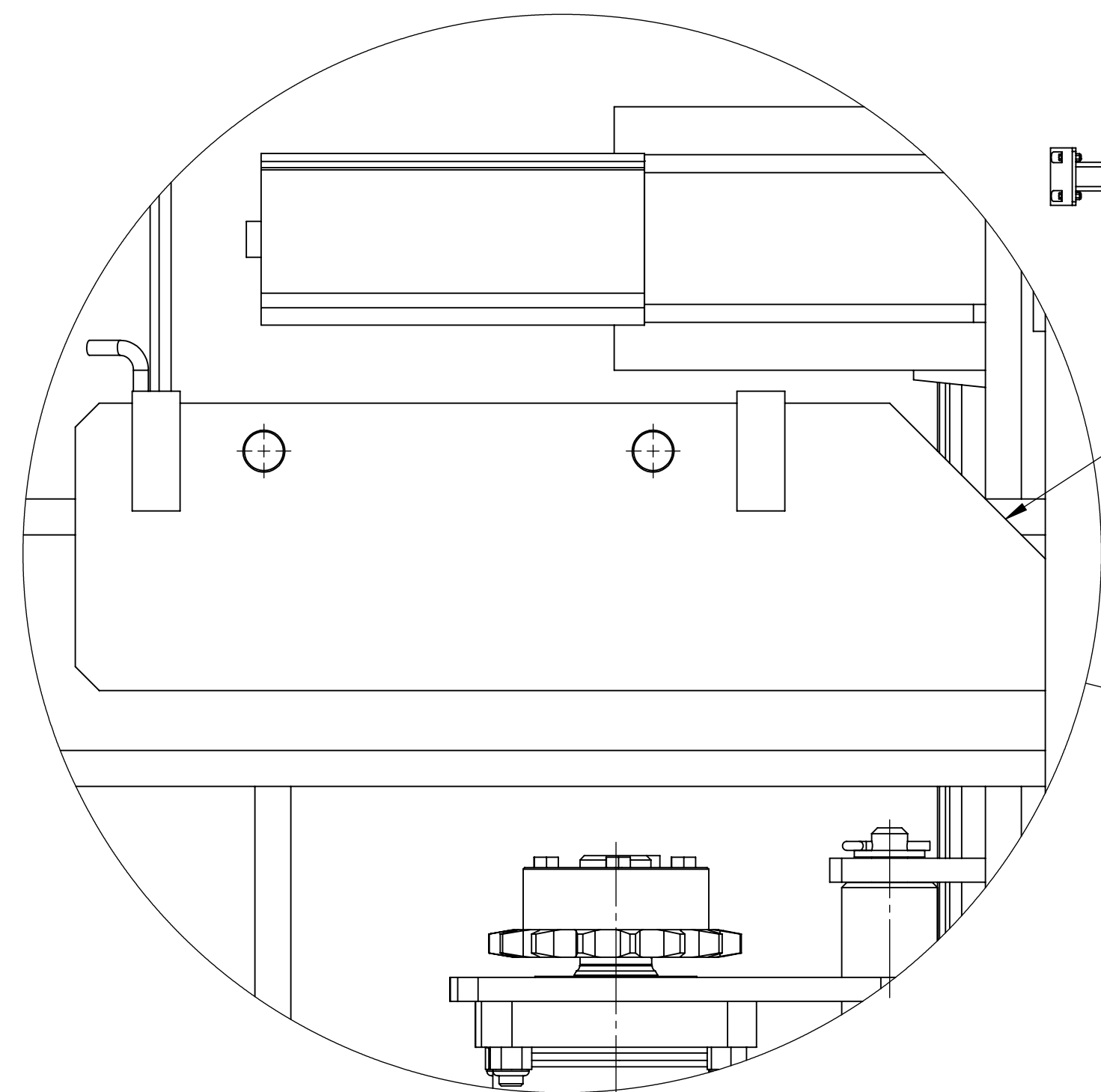
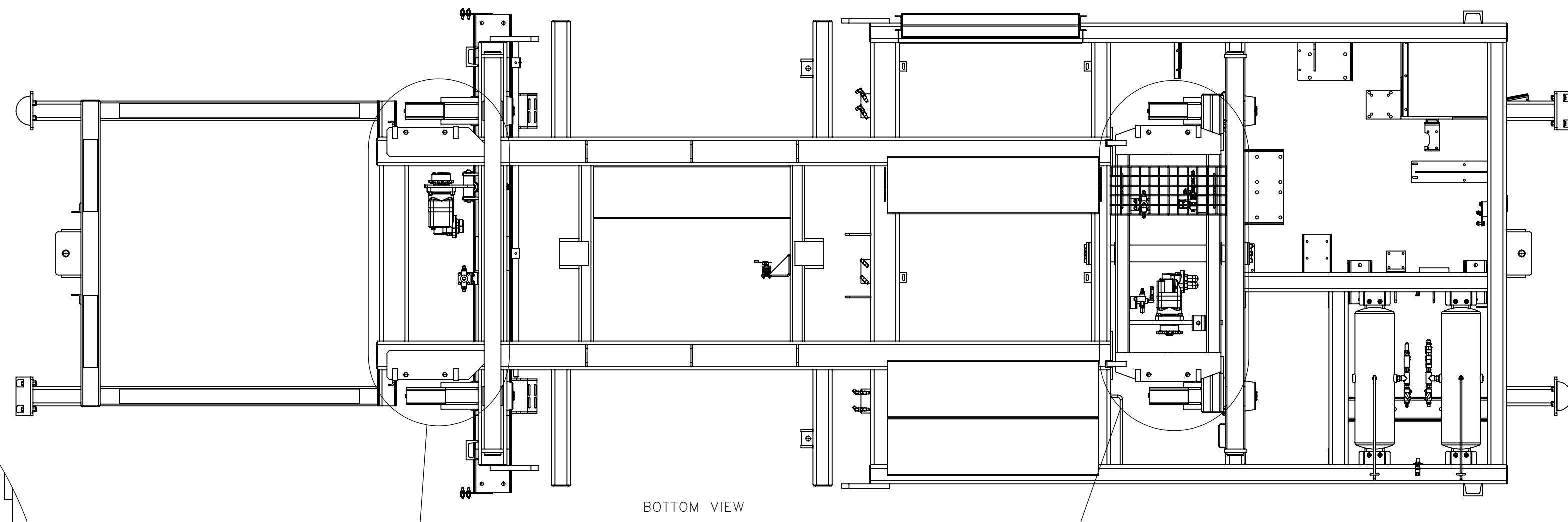
REMOVE AND SAVE  
ROLLER CHAIN AND LINK

REMOVE AND SAVE  
CHAIN GUARD AND  
FASTENERS

REMOVE AND SAVE  
SET SCREW AND NUT  
(8 PLCS)

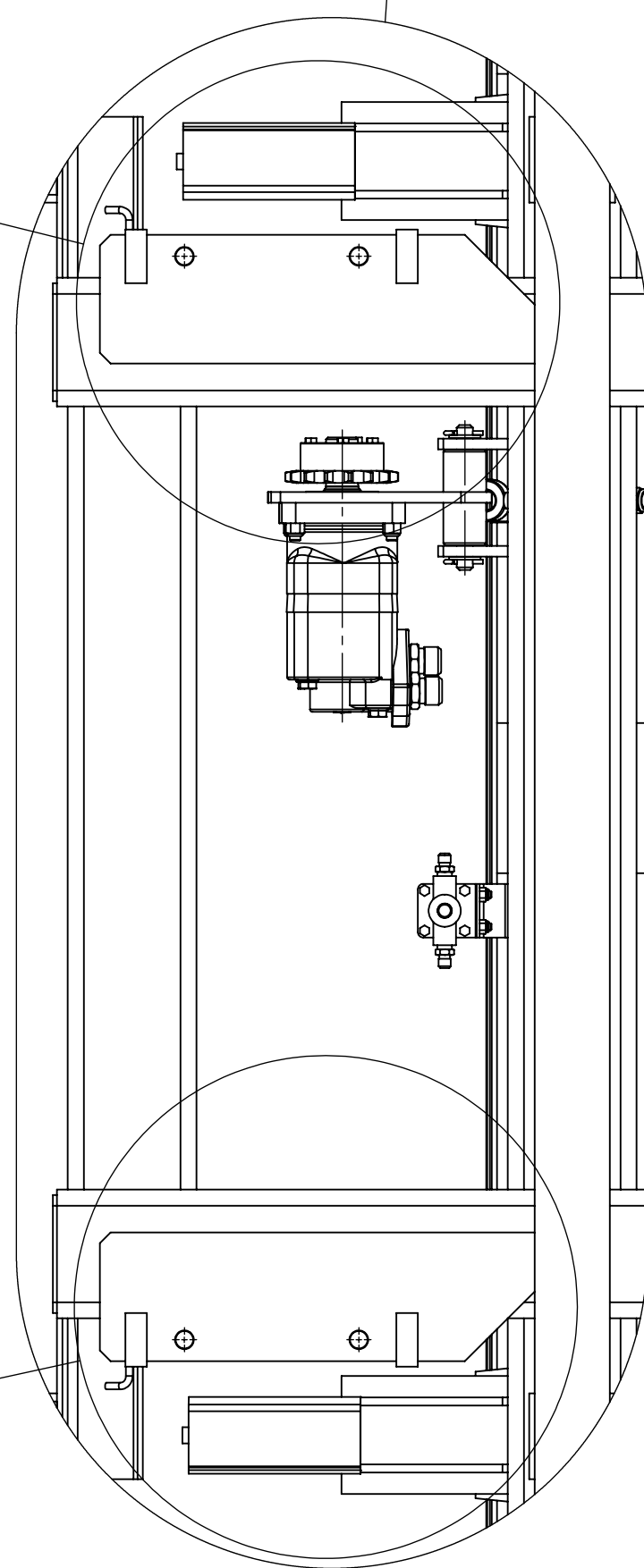
STEP 1 - AXLE REMOVAL

REV	EN	DESCRIPTION	DATE	DRN
1		4569 NEW RELEASE	10-19	ASM
DIMENSION TOLERANCES UNLESS OTHERWISE SPECIFIED				
LINEAR		.XX=±.03	.XXX=±.010	
ANGULAR		X'=±1°	X.X'=±.5°	
SURFACE FINISH 125/√			SMOOTH ALL SHARP EDGES CLEAN ALL WELDS	
THIS PRINT AND ALL INFORMATION WITHIN BELONGS TO RACINE RAILROAD PRODUCTS				
<b>RACINE RAILROAD PRODUCTS</b> RACINE, WISCONSIN USA				
DESCRIPTION INSTRUCTIONS, 3.50 DIA AXLE KIT				
MATERIAL SEE BOM				
USED ON		793066	SCALE	DATE
			1:20	10-28-19
DRN	CHK	APP	JOB NO	SHEET
ASM			RD190012	1 OF 5
DWG SIZE	CATALOG	DWG NO		
D	N	800325		

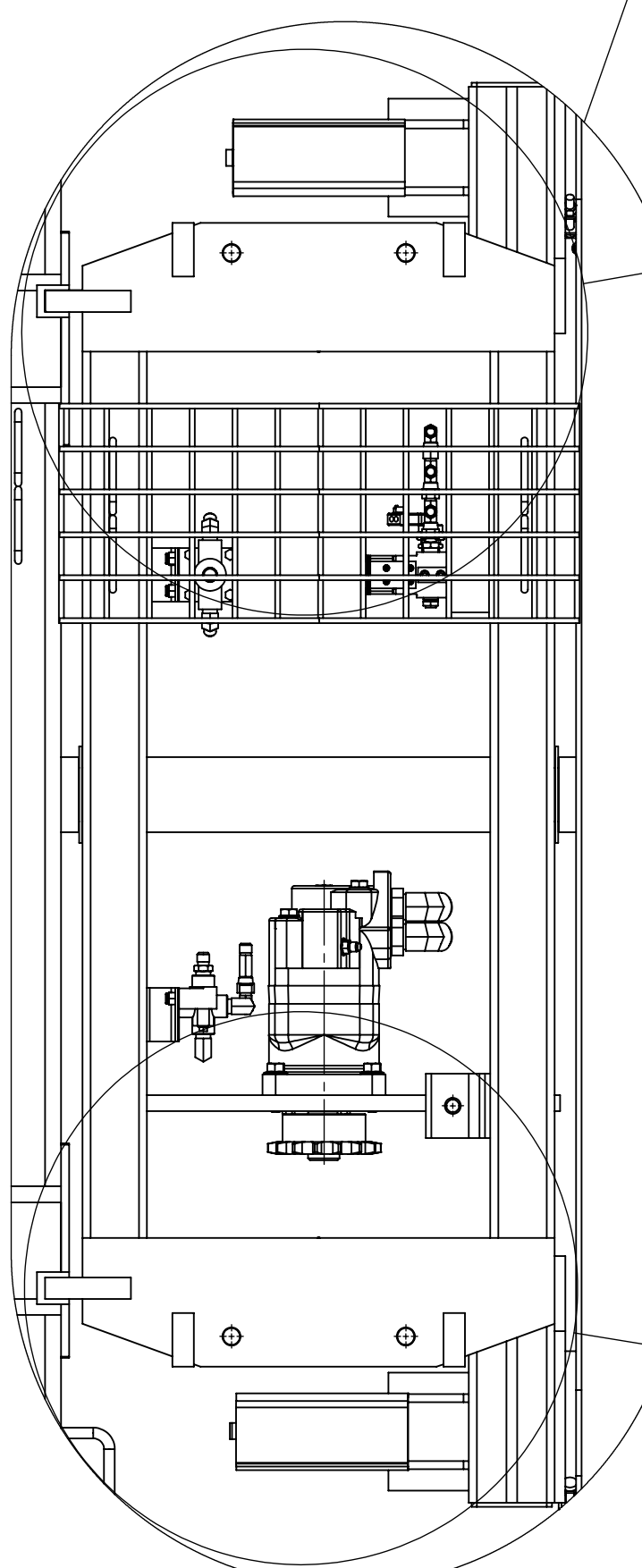


SCALE 1 : 3

REMOVE BEARING MOUNTING PLATE W/ LUGS

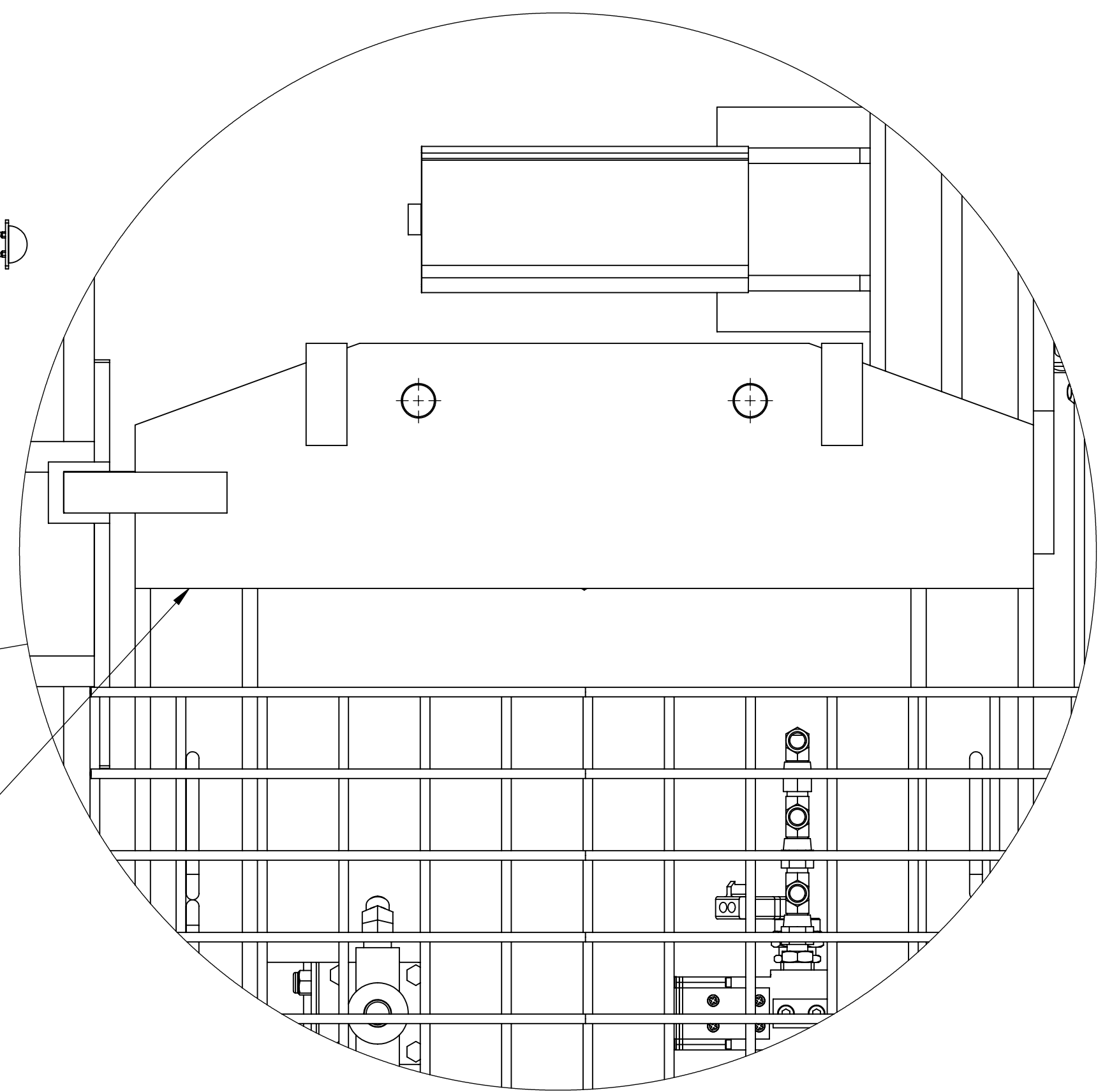


SCALE 1 : 8

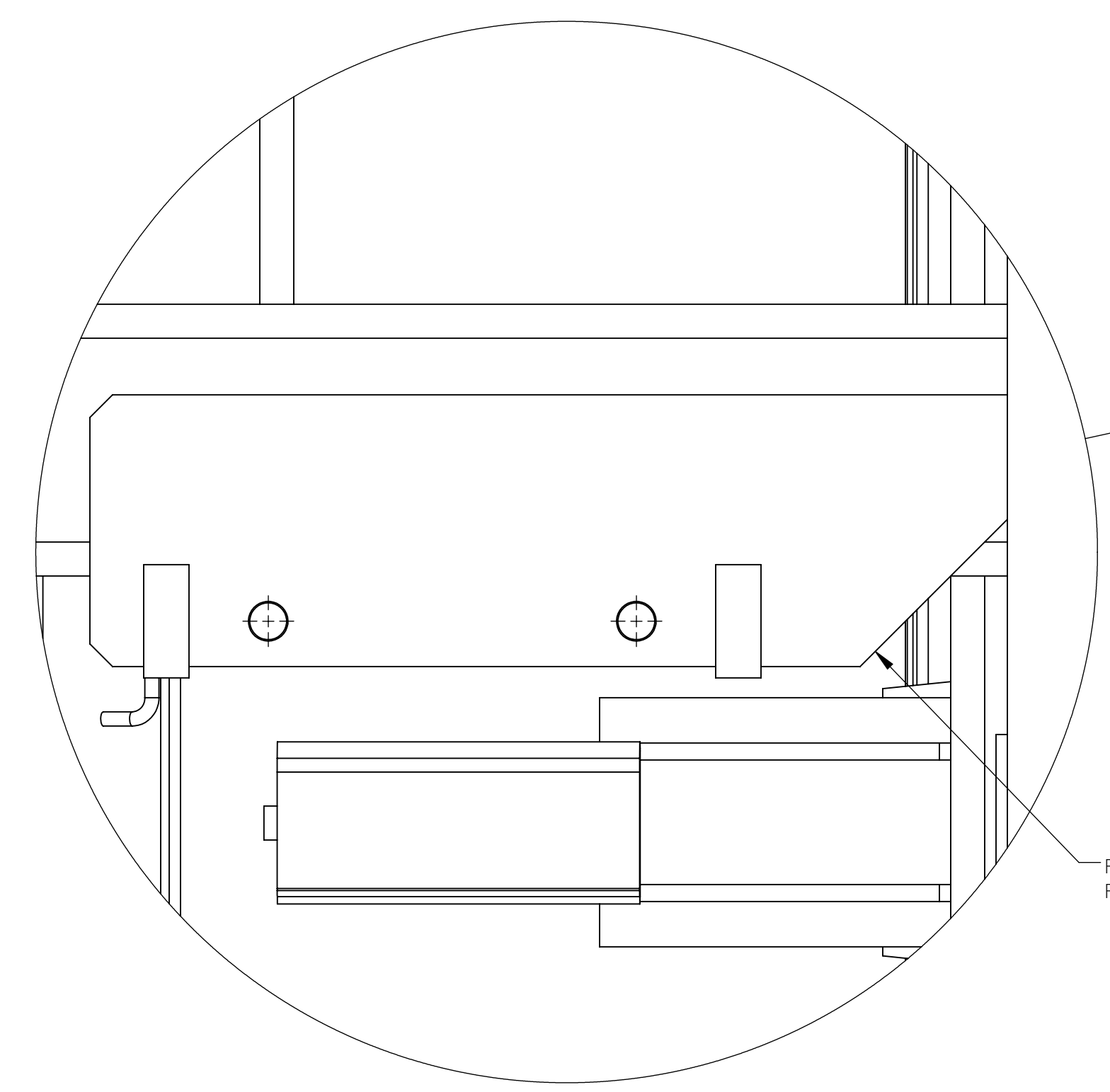


SCALE 1 : 8

REMOVE BEARING MOUNTING PLATE W/ LUGS



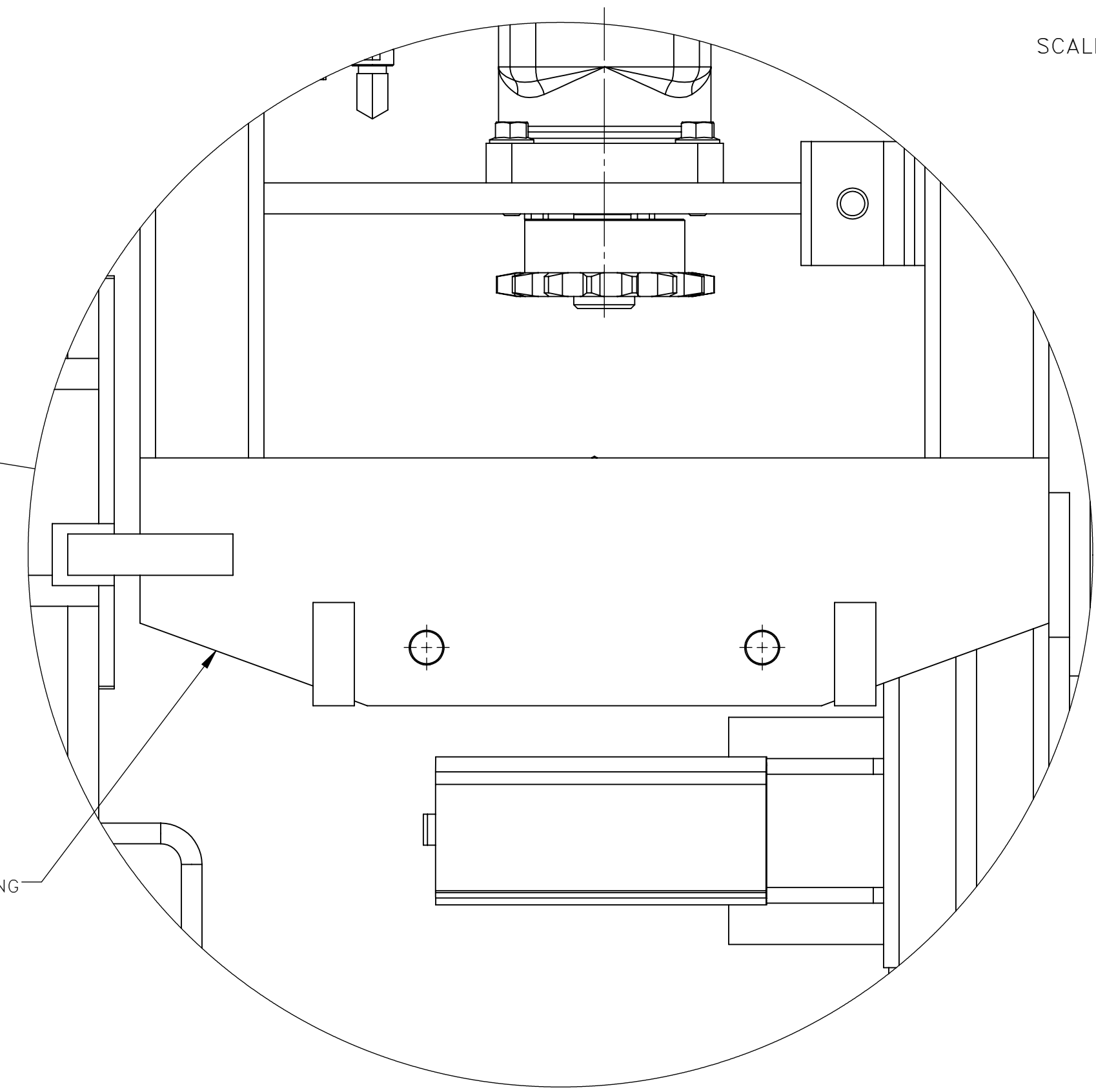
SCALE 1 : 3



SCALE 1 : 3

REMOVE BEARING MOUNTING PLATE W/ LUGS

REMOVE BEARING MOUNTING PLATE W/ LUGS

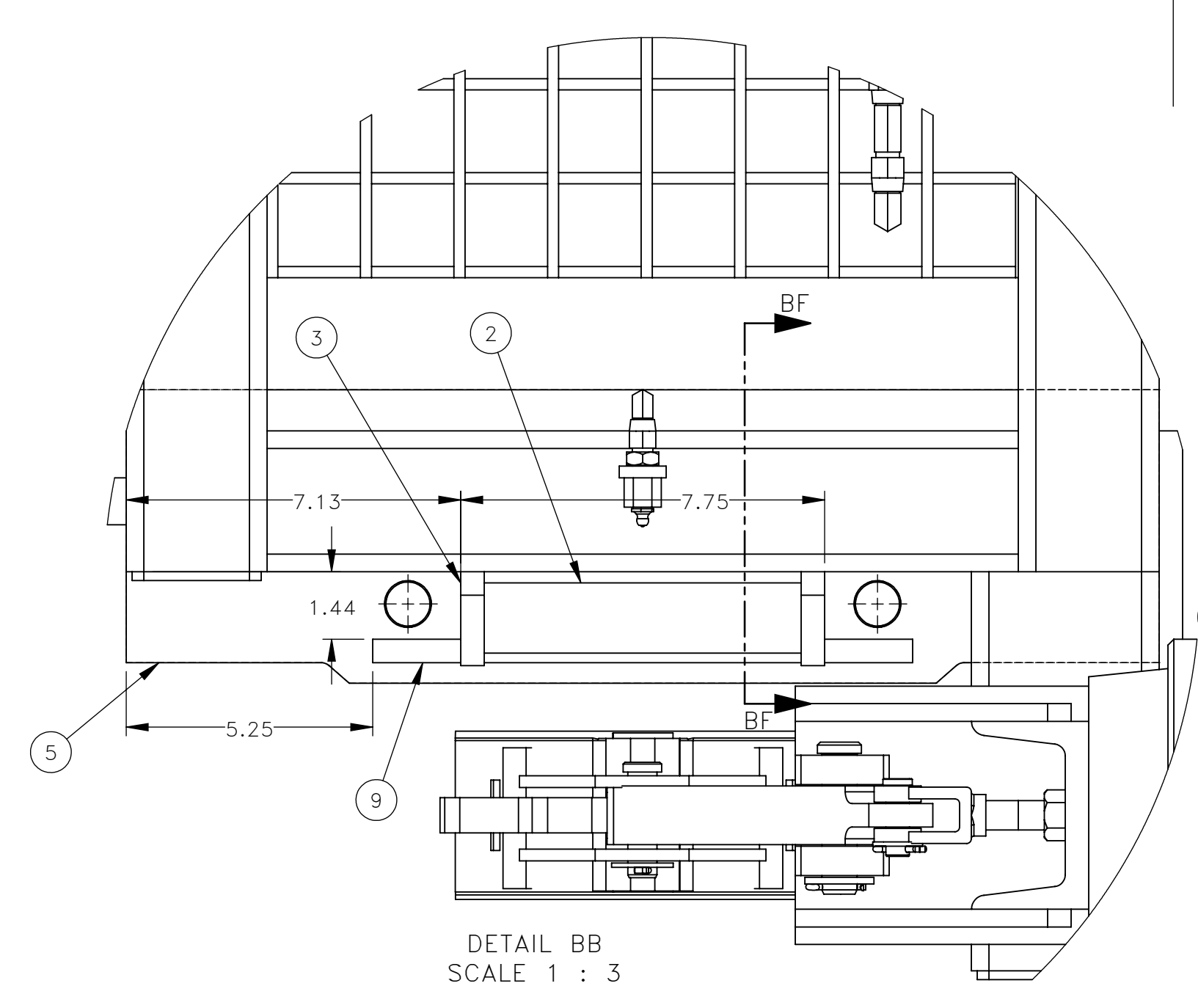
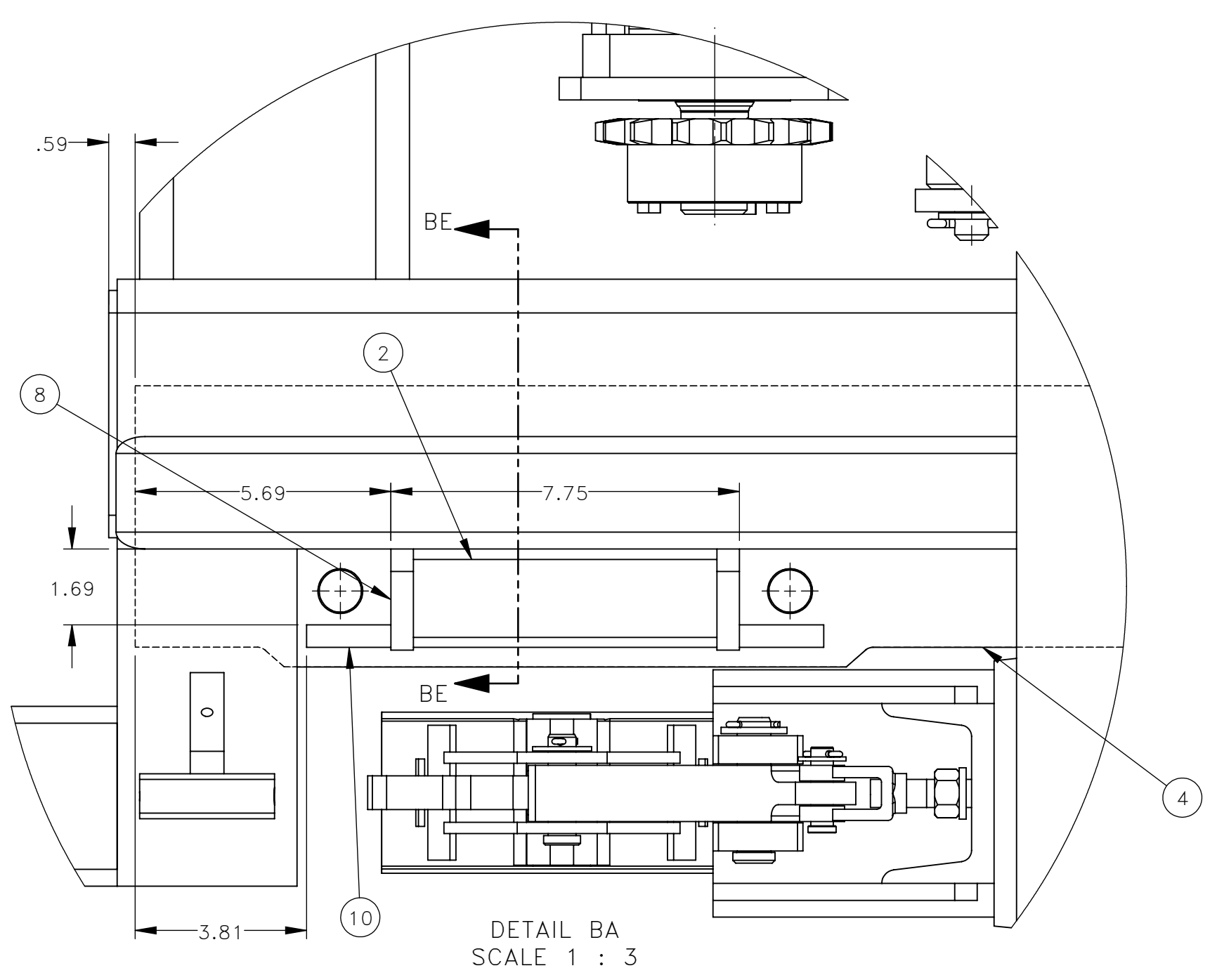
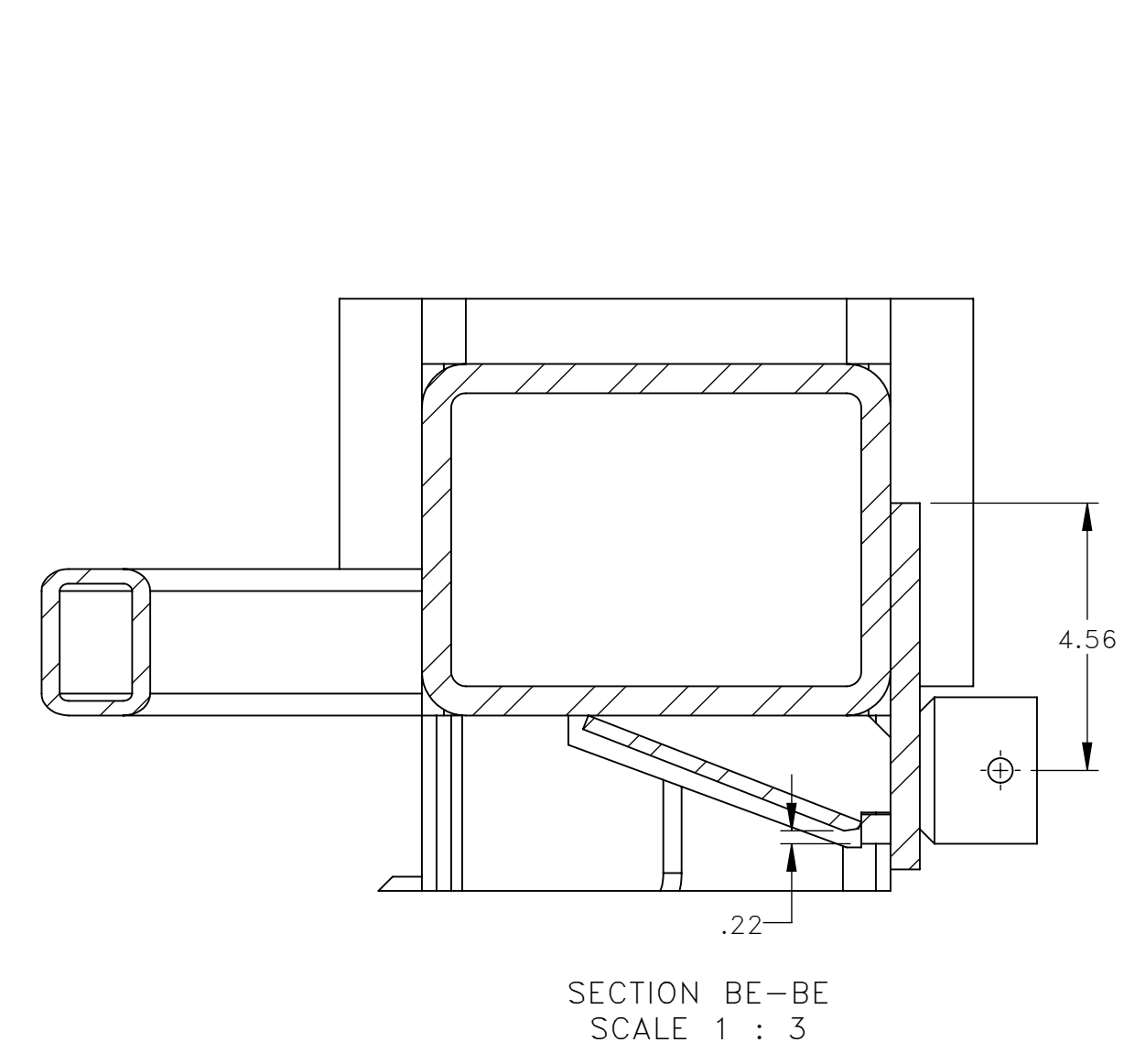
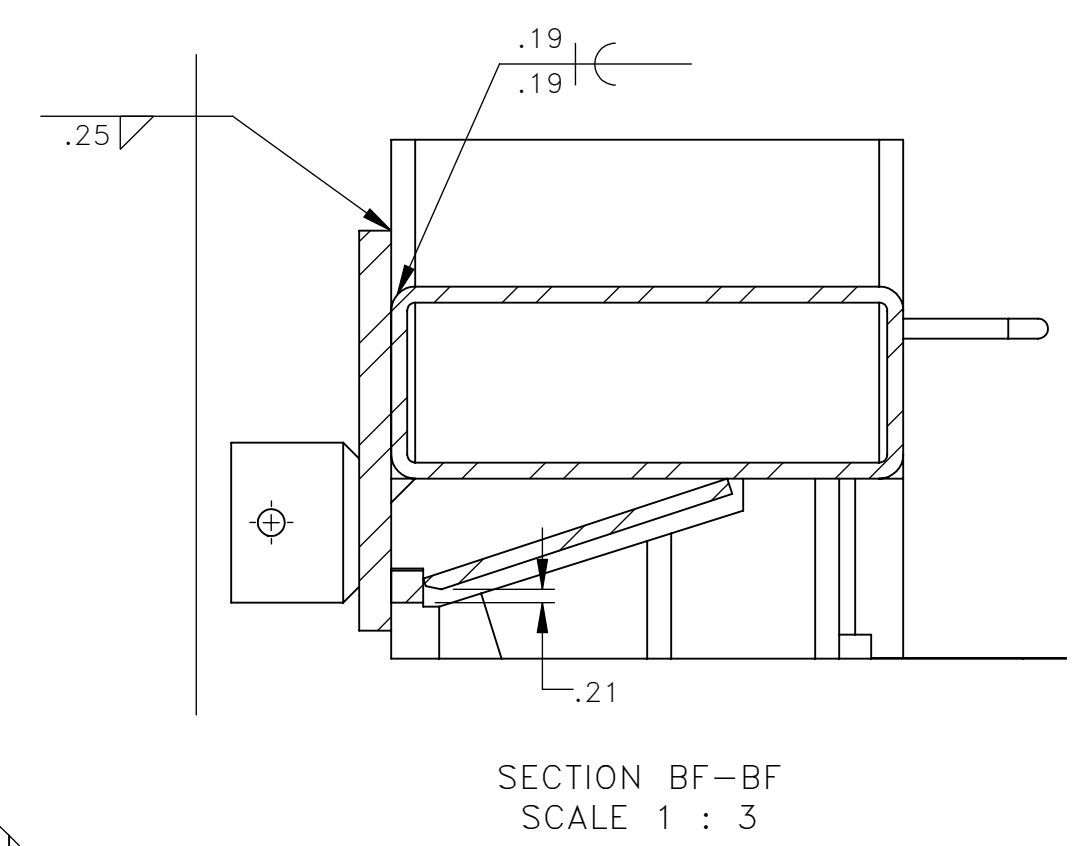
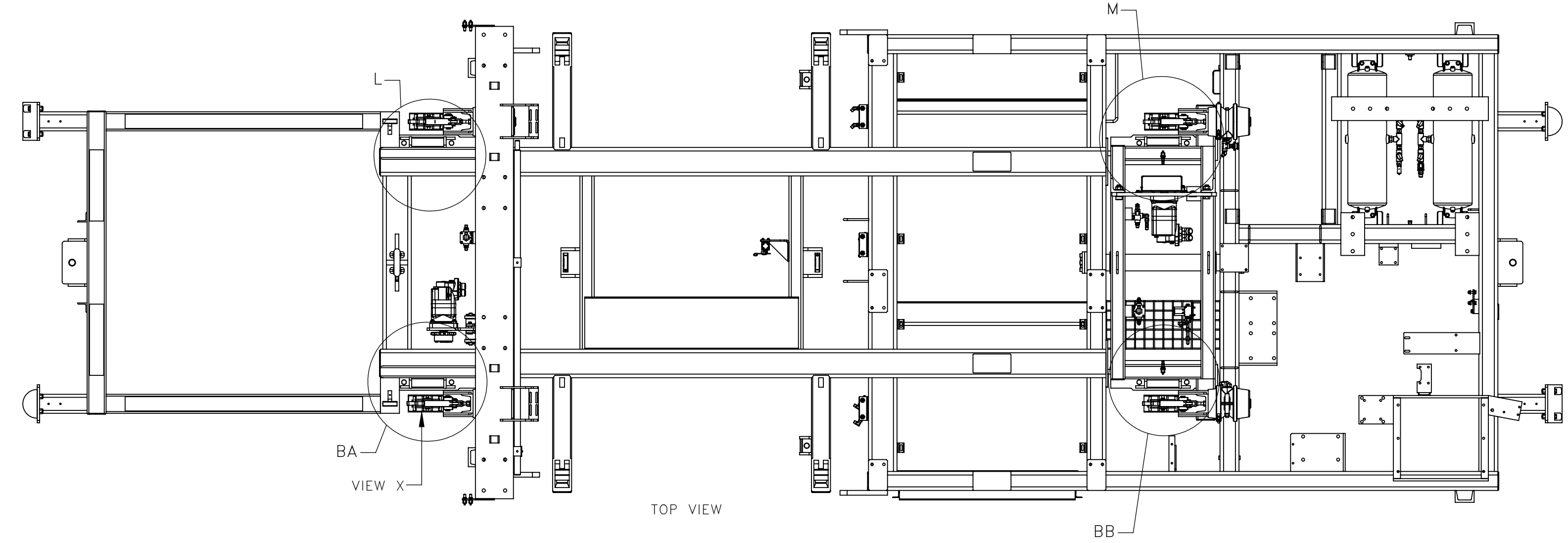
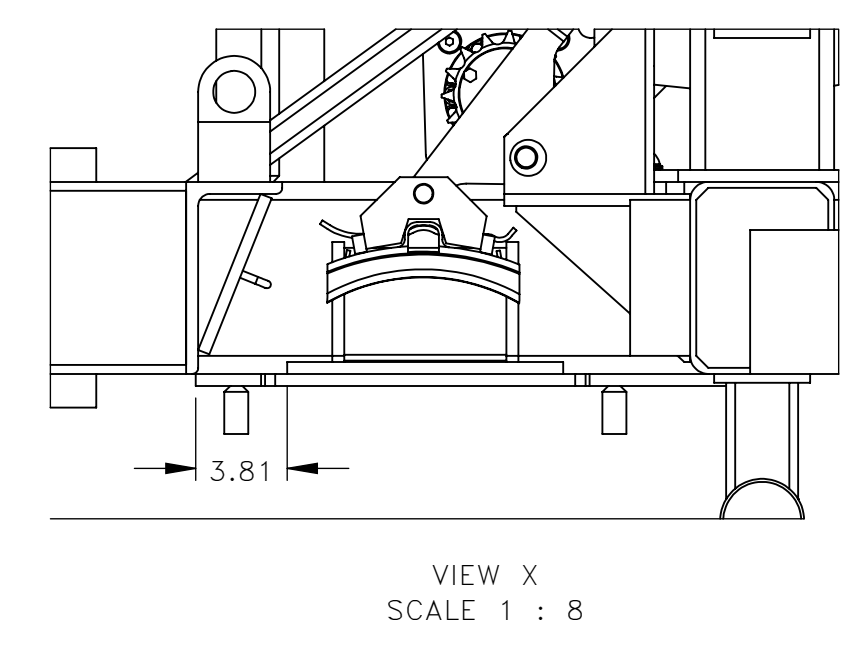
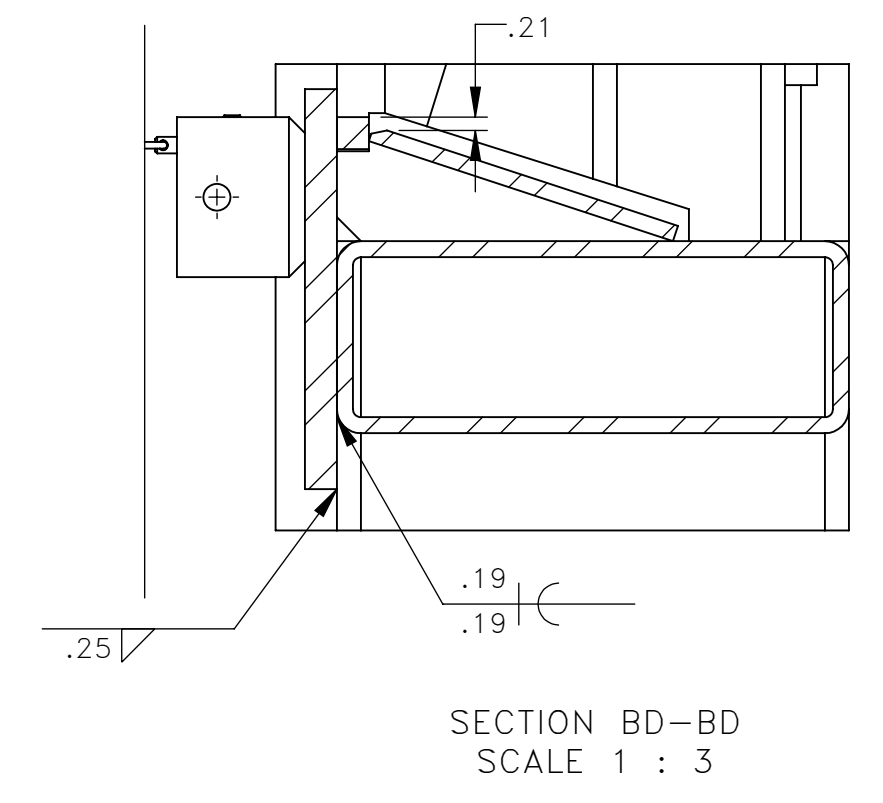
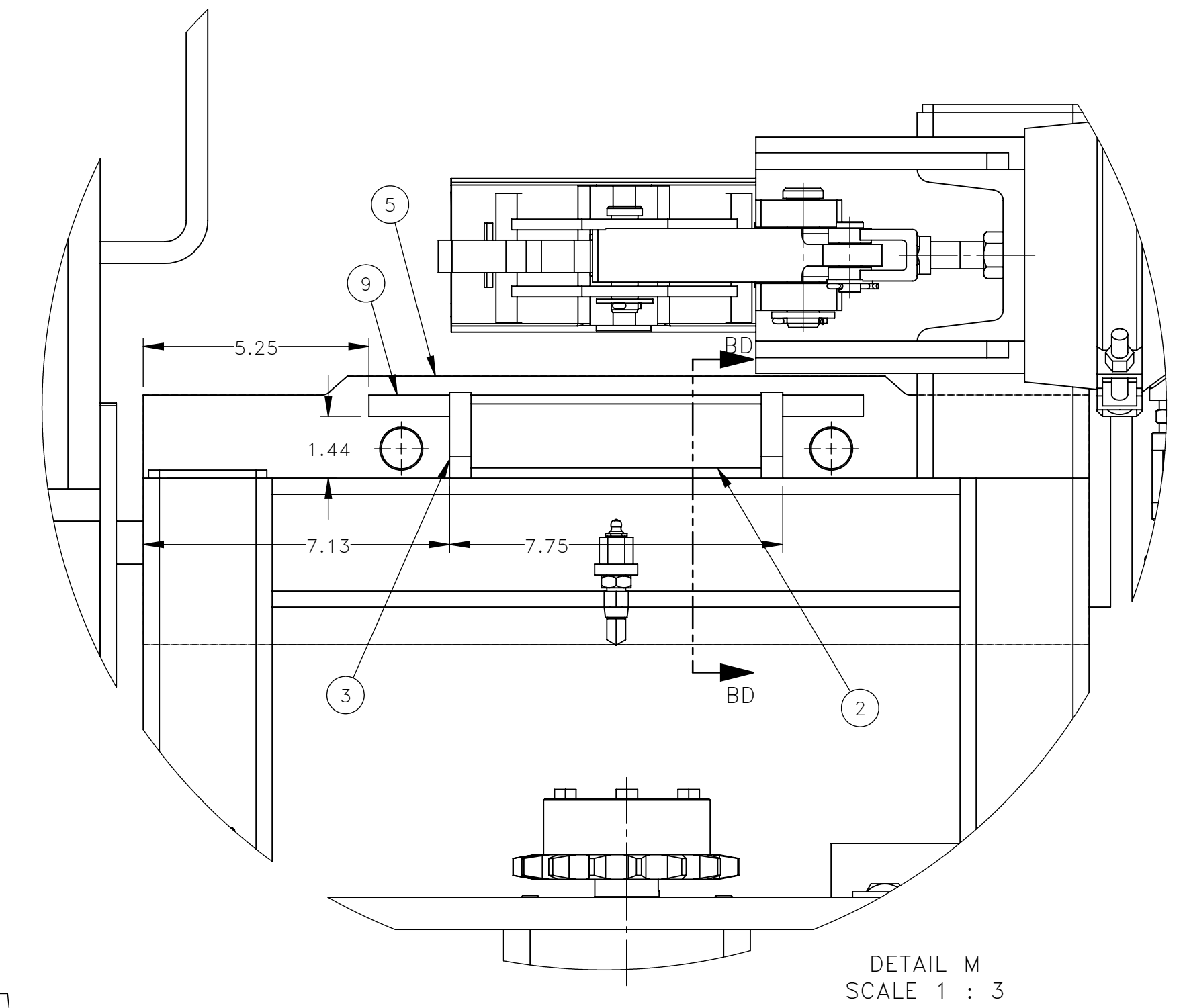
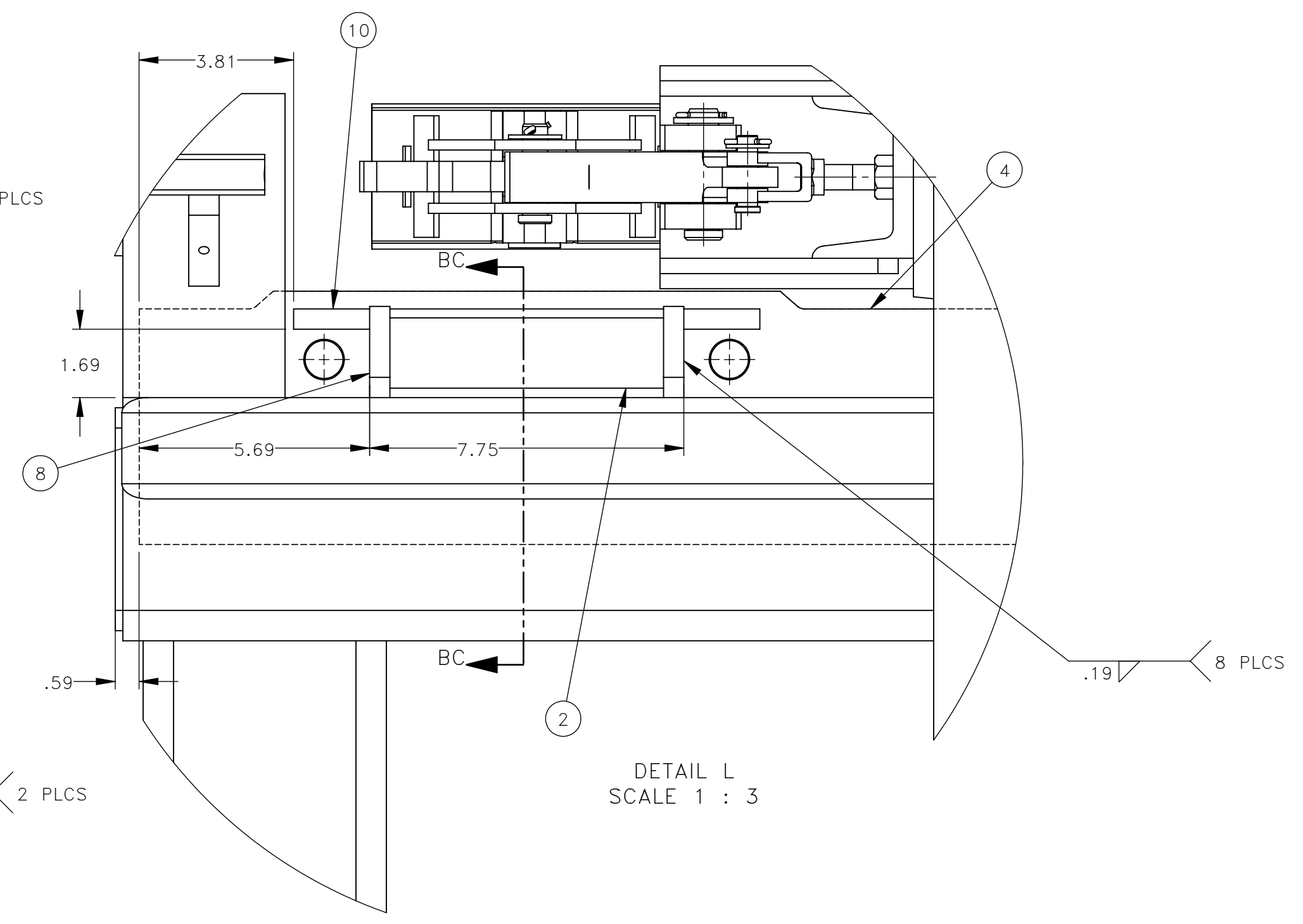
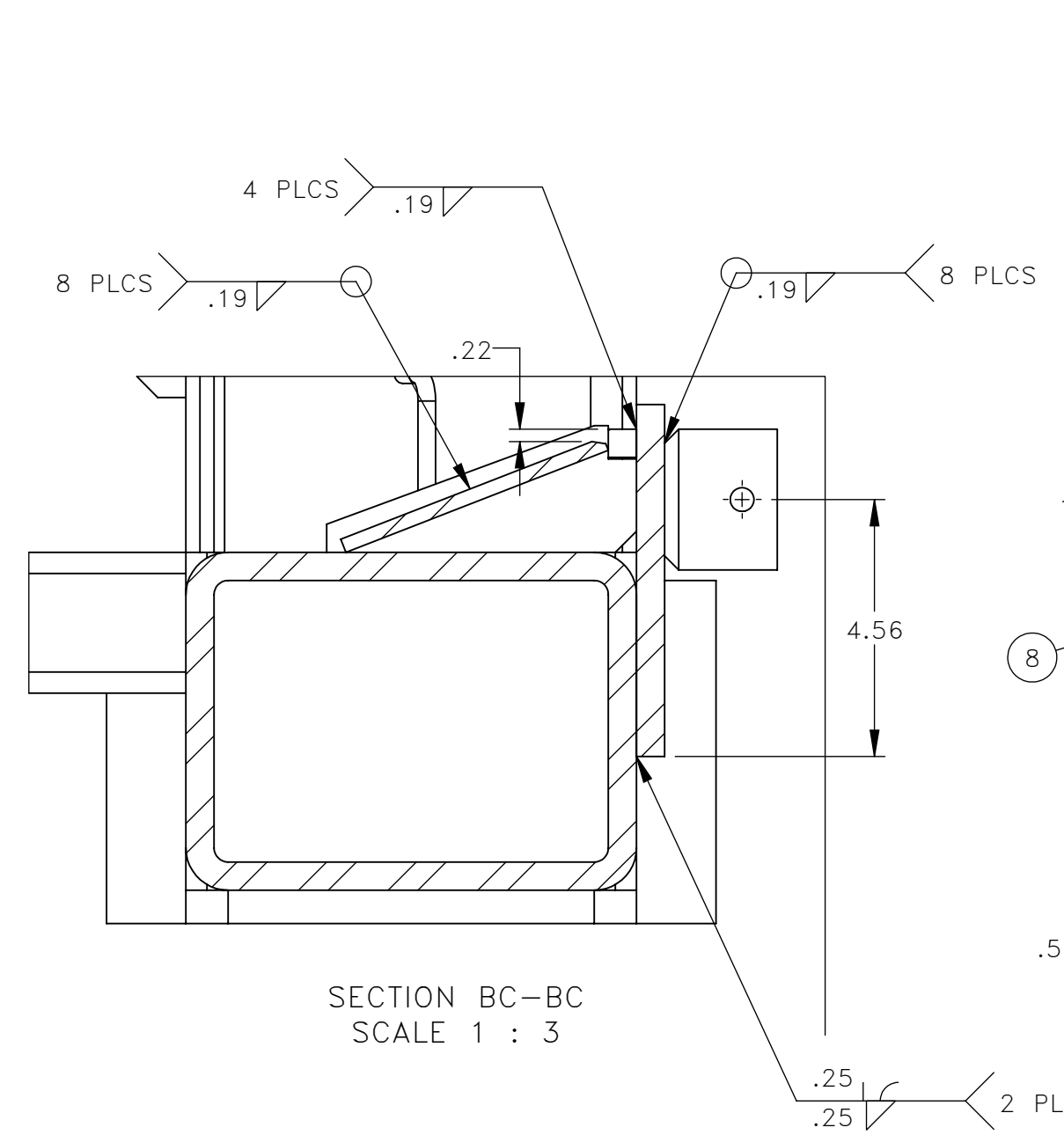


SCALE 1 : 3

STEP 2 - AXLE BEARING MOUNTING PARTS REMOVAL

REV	EN	DESCRIPTION	DATE	DRN
1		4569 NEW RELEASE	10-19	ASM
DIMENSION TOLERANCES UNLESS OTHERWISE SPECIFIED				
LINEAR		.XX=±.03	.XXX=±.010	
ANGULAR		X'=±1°	X.X'=±.5°	
SURFACE FINISH		125/√	SMOOTH ALL SHARP EDGES CLEAN ALL WELDS	
THIS PRINT AND ALL INFORMATION WITHIN BELONGS TO RACINE RAILROAD PRODUCTS				
<b>RACINE RAILROAD PRODUCTS</b> RACINE, WISCONSIN USA				
DESCRIPTION INSTRUCTIONS, 3.50 DIA AXLE KIT				
MATERIAL SEE BOM				
USED ON	793066	SCALE	DATE	
DRN	CHK	APP	JOB NO	SHEET
ASM			RD190012	2 OF 5
DWG SIZE	CATALOG	DWG NO		
D	N		800325	

NO.	QTY	DESCRIPTION	PART NO.
1	REF	BLOCK	319691
2	REF	FLAT	319694
3	REF	GUSSET, .5 X 2 X 5.5	319696
4	REF	PLATE, BEARING	320771
5	REF	PLATE, BEARING	320772
6	REF	FLAT	320773
7	REF	FLAT	320774
8	REF	GUSSET, .5 X 2.25 X 5.5	320775
9	REF	SQUARE	398715
10	REF	AXLE, 3.50 DIA INS #80 25T	719398



REV	EN	DESCRIPTION	DATE	DRN
1	4569	NEW RELEASE	10-19	ASM

DIMENSION TOLERANCES UNLESS OTHERWISE SPECIFIED

LINEAR	.XX=±.03	.XXX=±.010
ANGULAR	X'=±1°	X.X'=±.5°

SURFACE FINISH 125/√ SMOOTH ALL SHARP EDGES NOT TO EXCEED CLEAN ALL WELDS

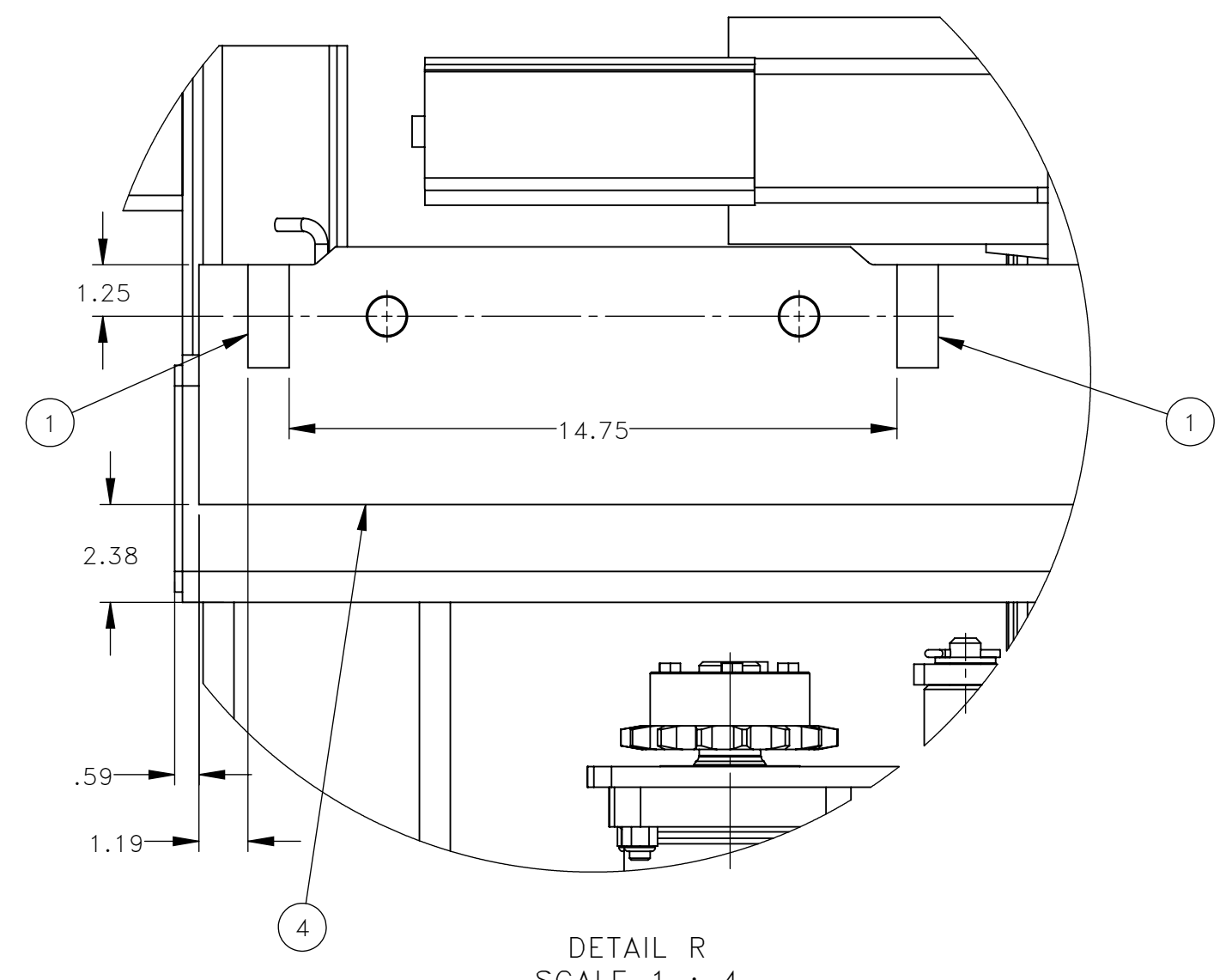
THIS PRINT AND ALL INFORMATION WITHIN BELONGS TO RACINE RAILROAD PRODUCTS

**RACINE RAILROAD PRODUCTS**  
RACINE, WISCONSIN USA

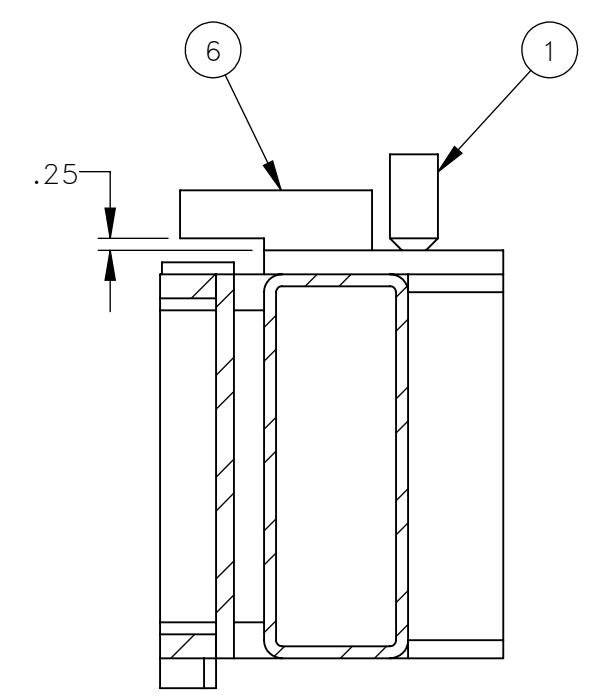
DESCRIPTION  
INSTRUCTIONS, 3.50 DIA AXLE KIT

MATERIAL  
SEE BOM

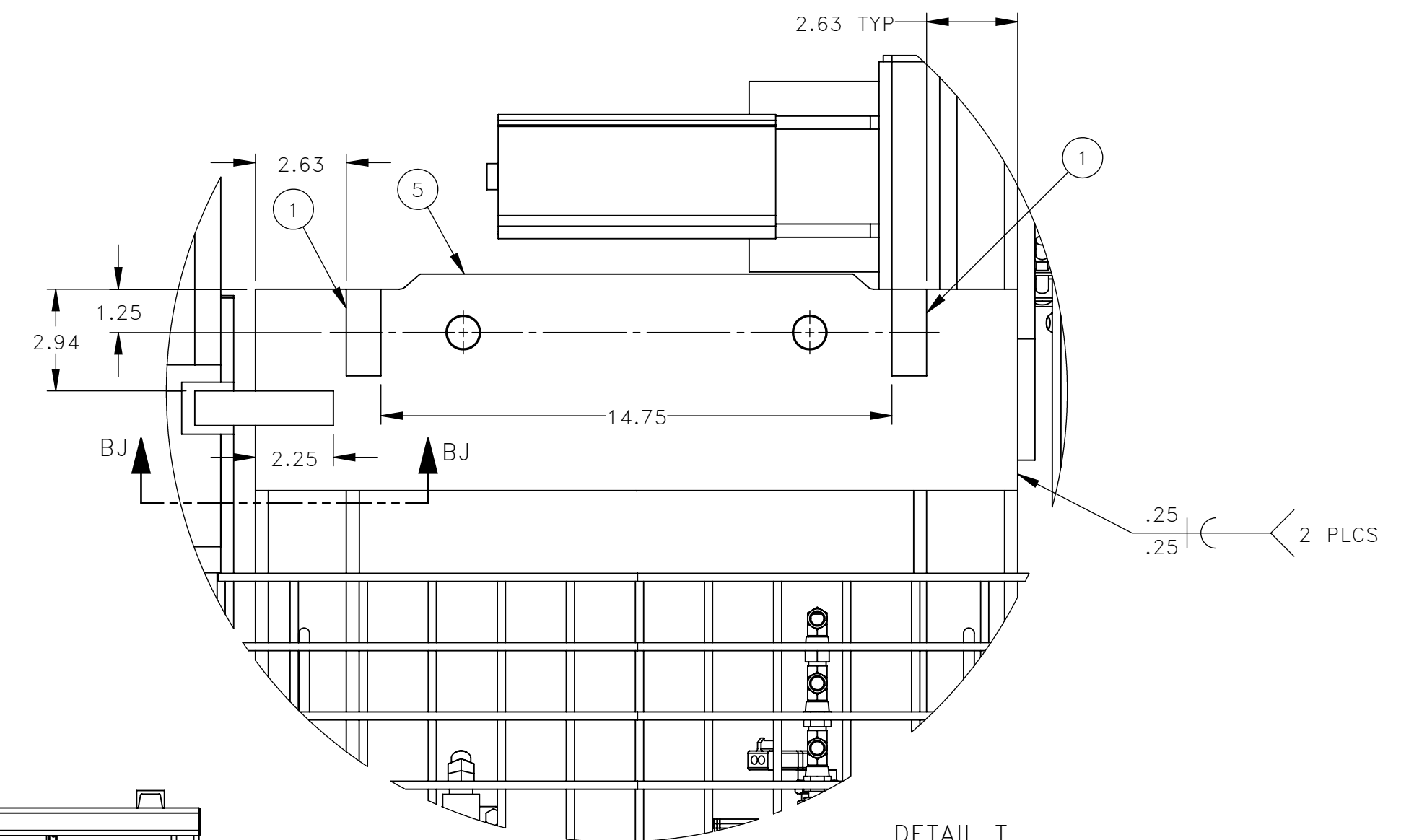
USED ON	793066	SCALE	DATE
DRN	CHK	APP	JOB NO
ASM	RD190012	SHEET	3 OF 5
DWG SIZE	CATALOG	DWG NO	800325
D	N		



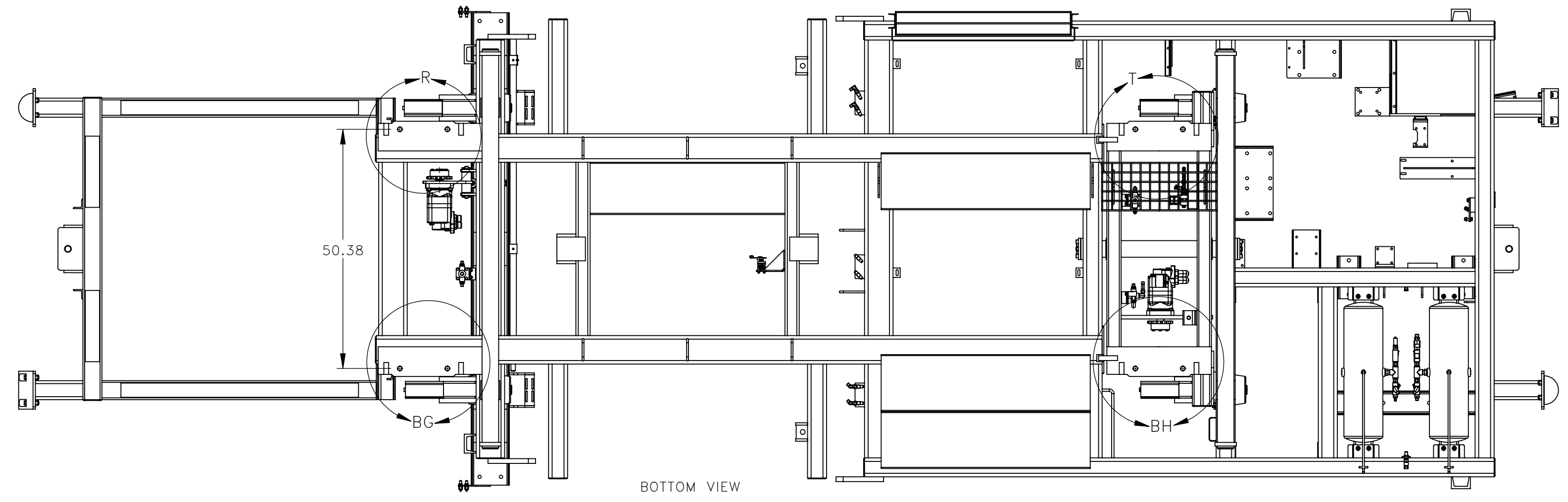
DETAIL R  
SCALE 1 : 4



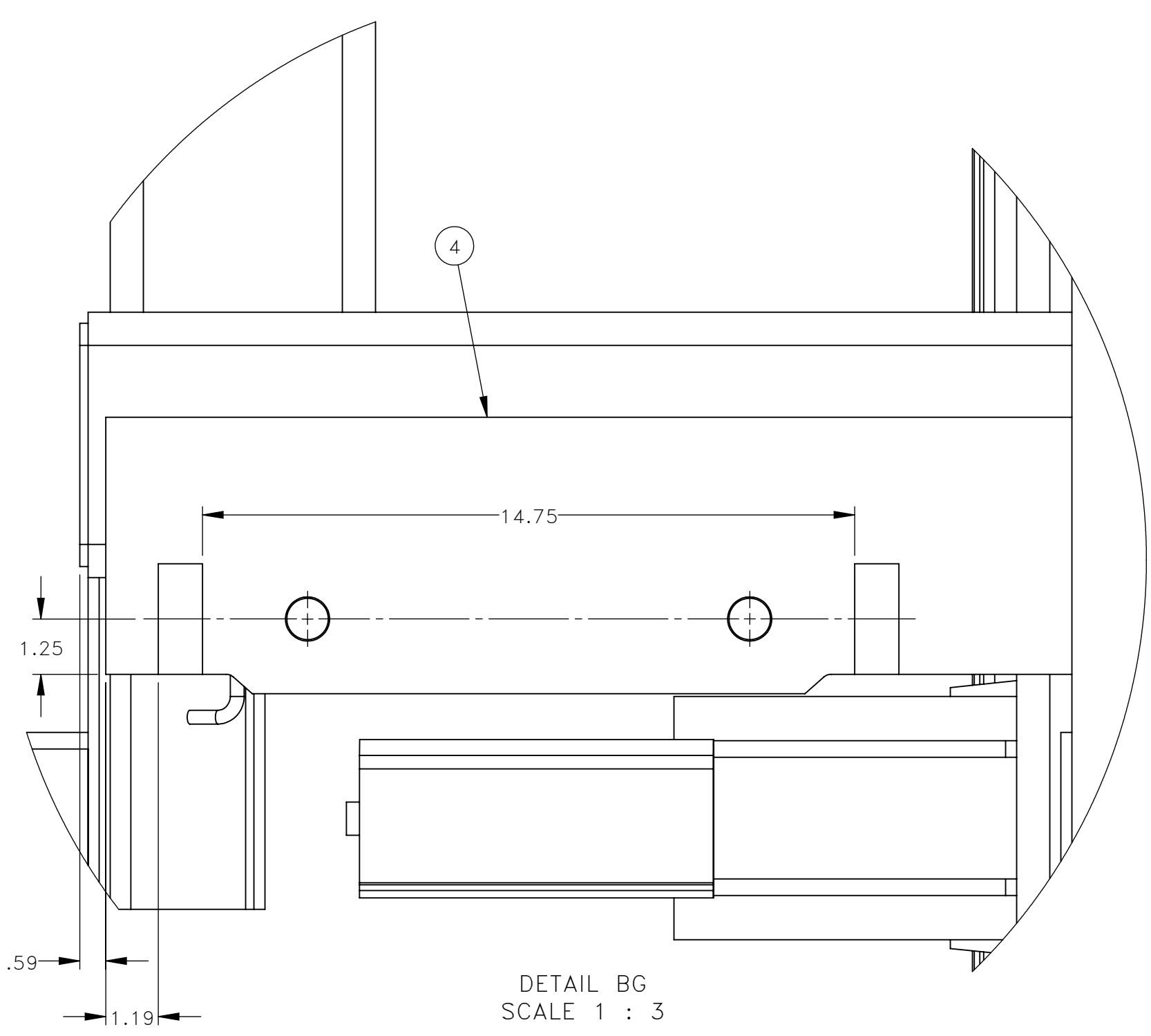
SECTION BJ-BJ  
SCALE 1 : 4



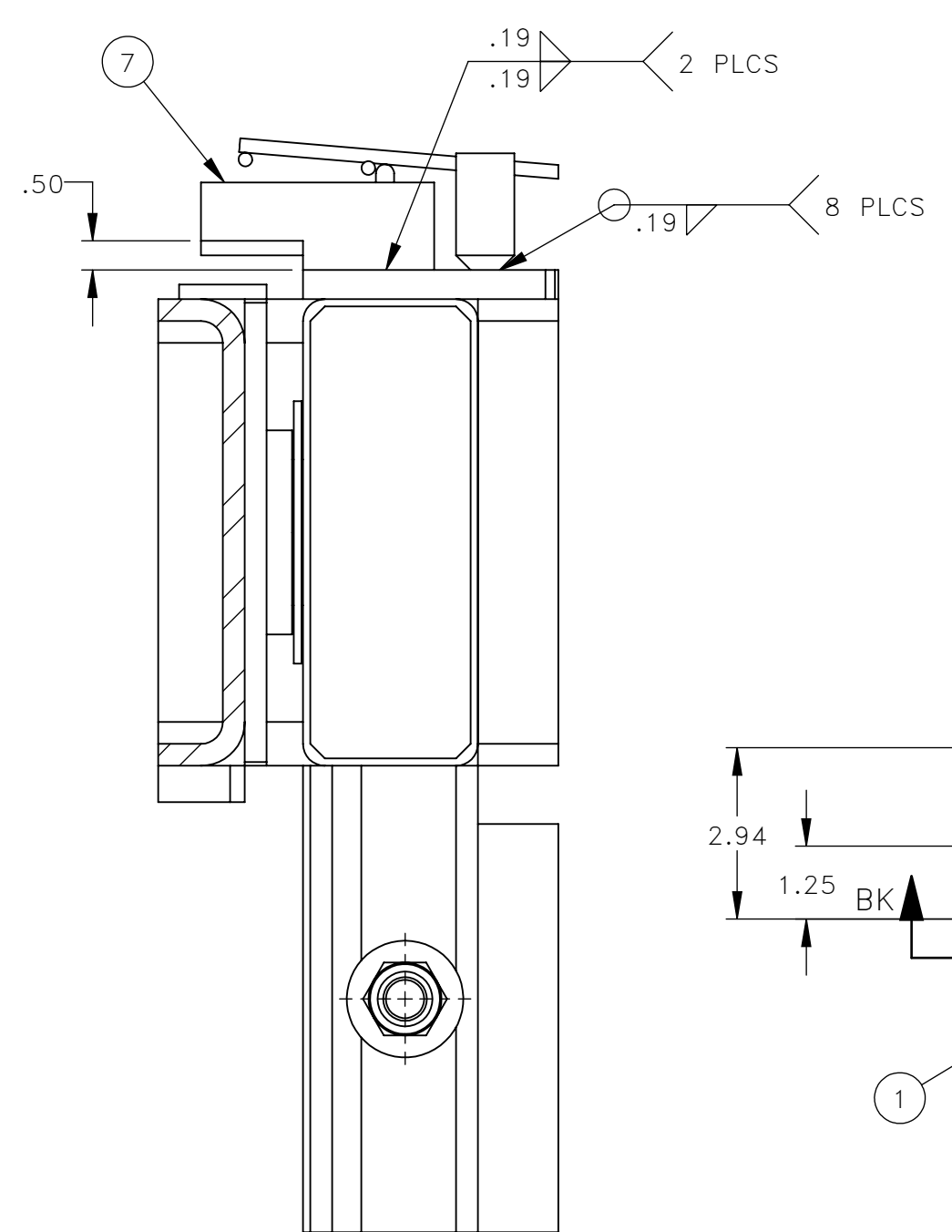
DETAIL T  
SCALE 1 : 4



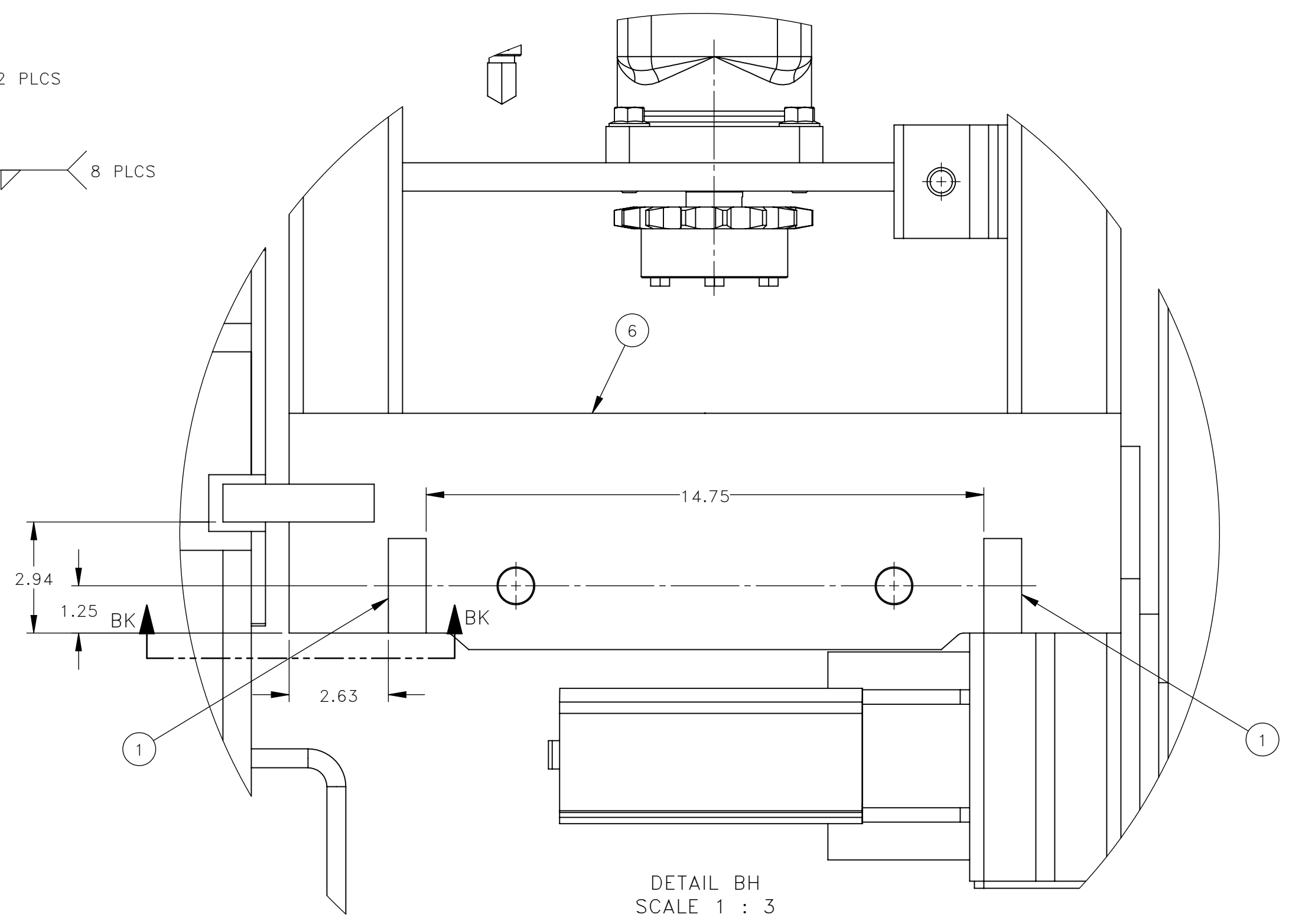
BOTTOM VIEW



DETAIL BG  
SCALE 1 : 3

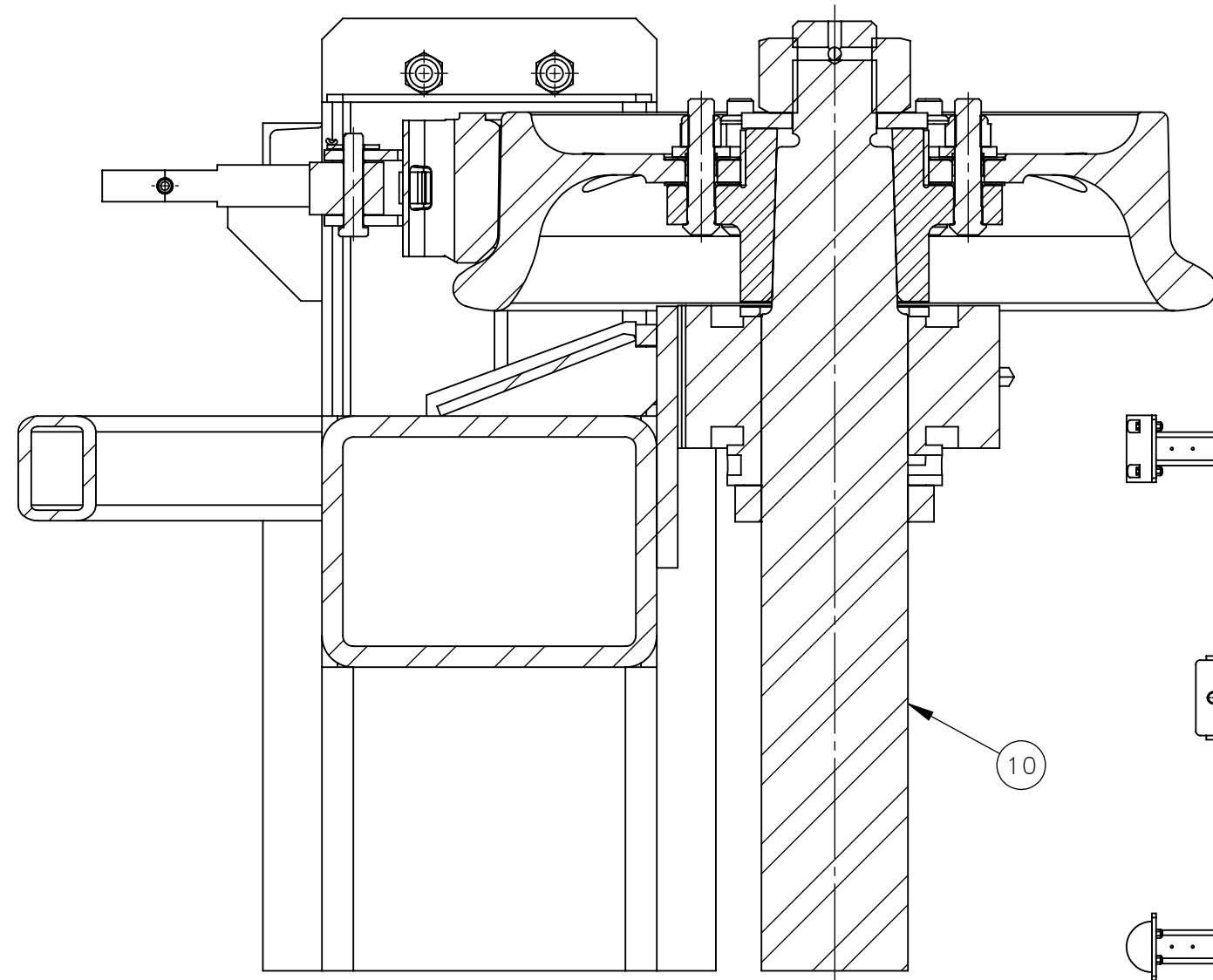


SECTION BK-BK  
SCALE 1 : 3

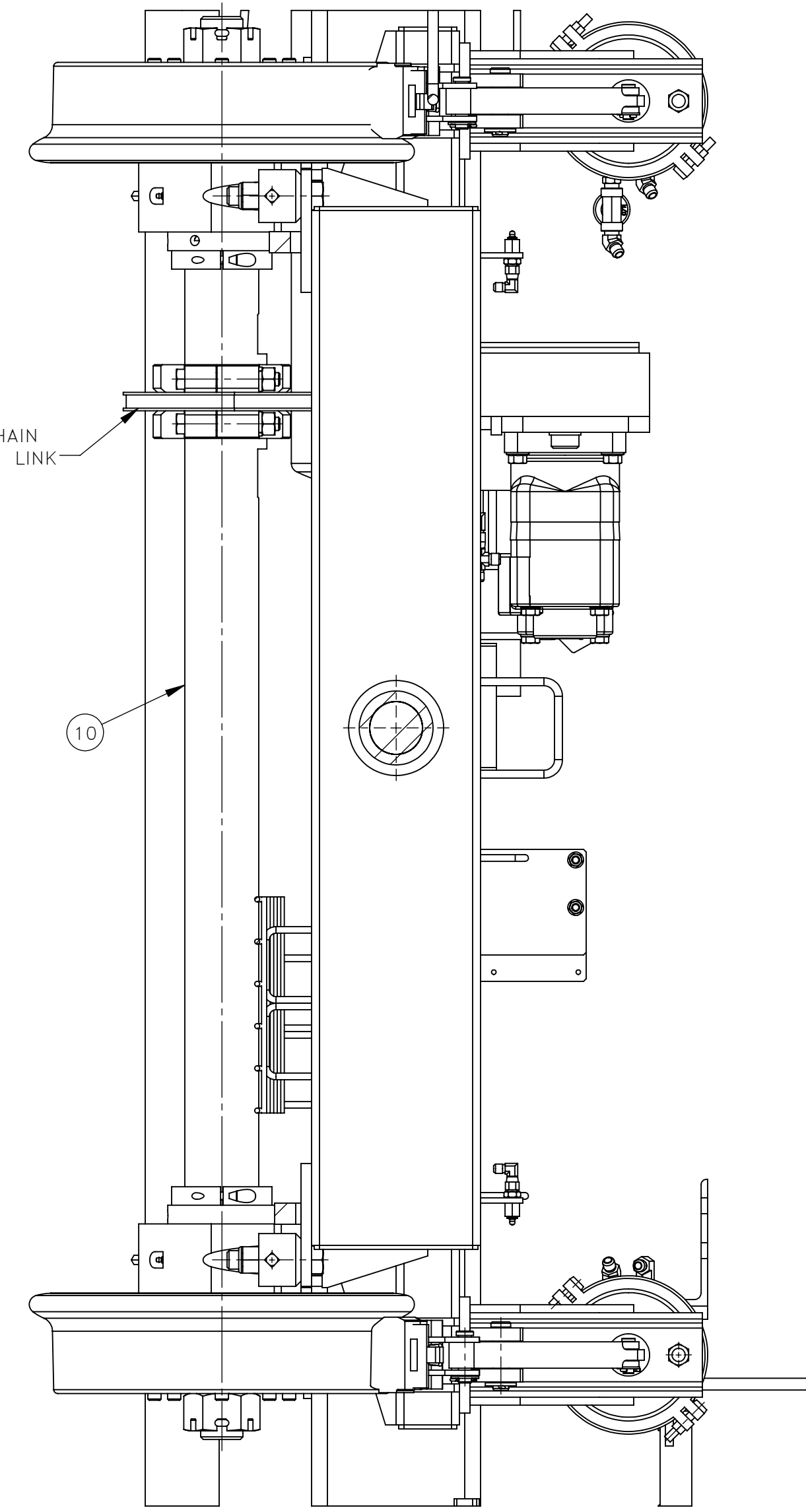
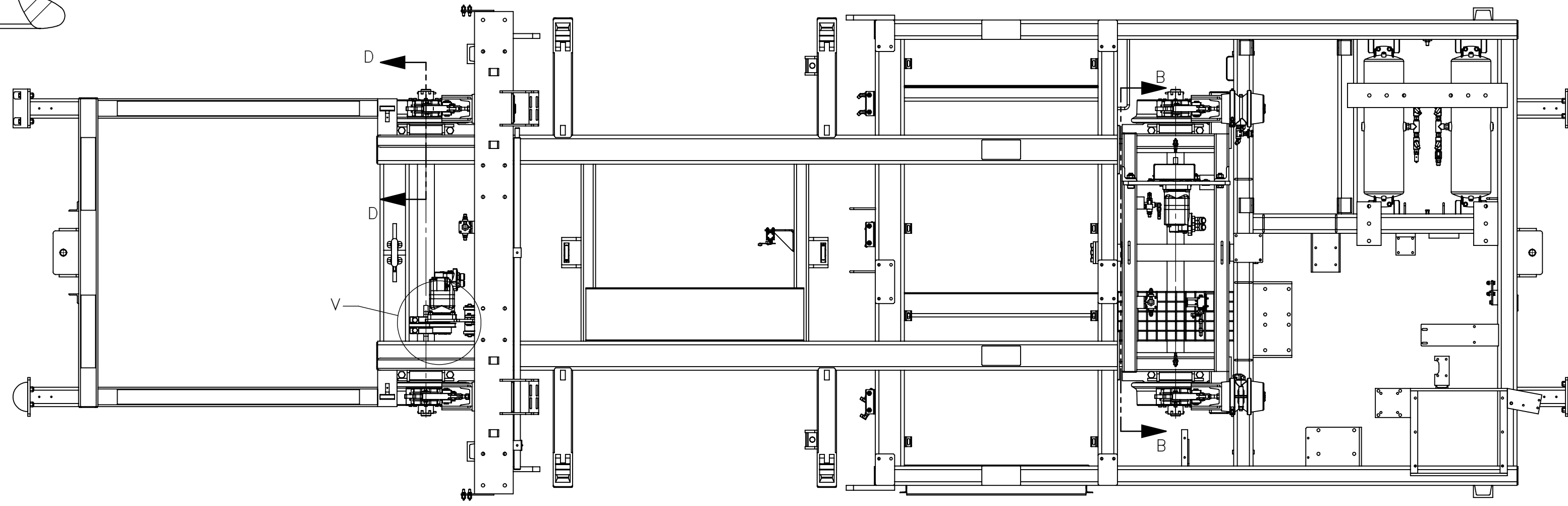


DETAIL BH  
SCALE 1 : 3

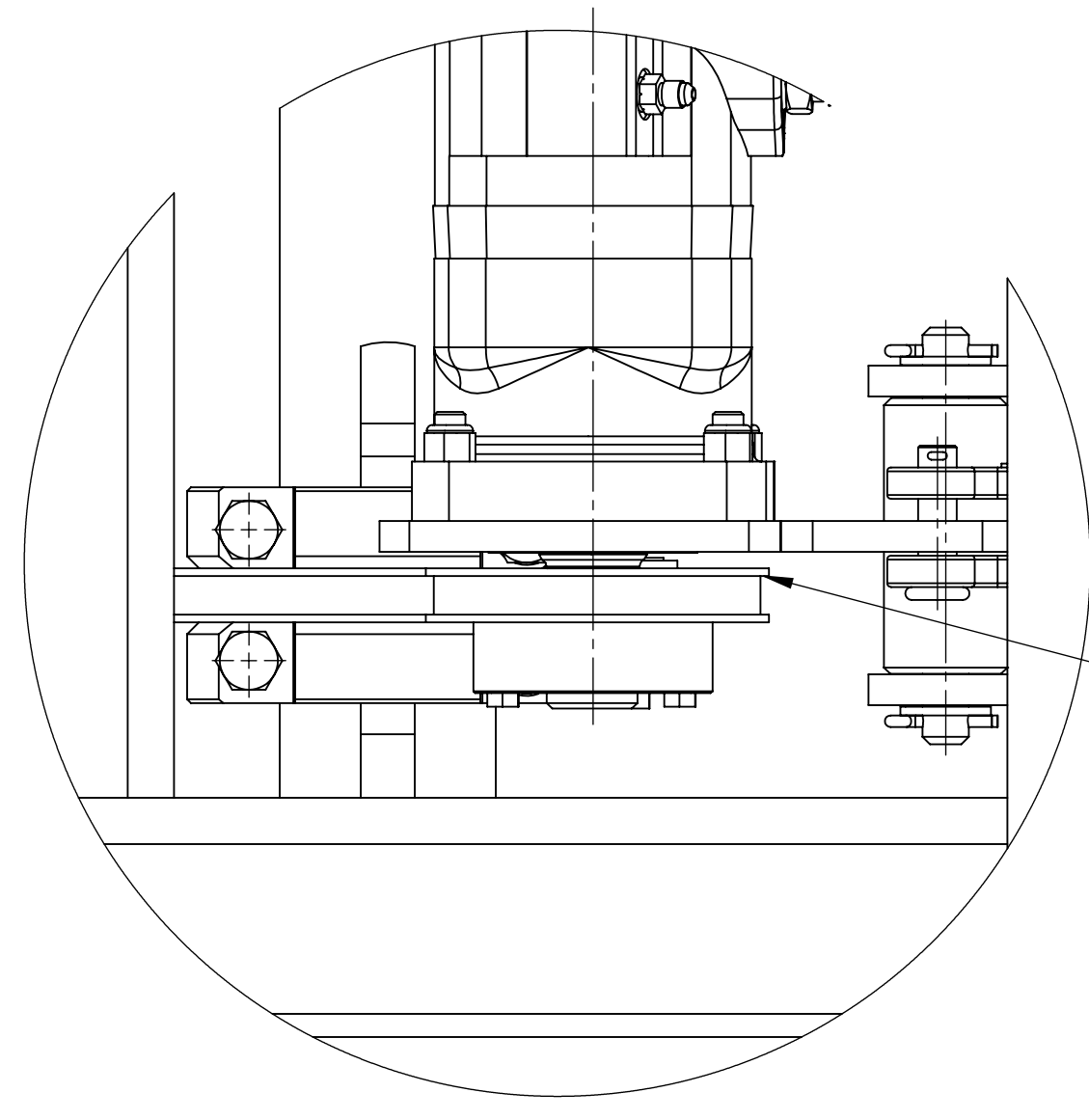
REV	EN	DESCRIPTION	DATE	DRN
1		4569 NEW RELEASE	10-19	ASM
DIMENSION TOLERANCES UNLESS OTHERWISE SPECIFIED				
LINEAR		.XX=±.03	.XXX=±.010	
ANGULAR		X'=±1°	X.X'=±.5°	
SURFACE FINISH 125/√			SMOOTH ALL SHARP EDGES NOT TO EXCEED CLEAN ALL WELDS	
THIS PRINT AND ALL INFORMATION WITHIN BELONGS TO RACINE RAILROAD PRODUCTS				
<b>RACINE RAILROAD PRODUCTS</b> RACINE, WISCONSIN USA				
DESCRIPTION INSTRUCTIONS, 3.50 DIA AXLE KIT				
MATERIAL SEE BOM				
USED ON		793066	SCALE	DATE
			1:20	10-28-19
DRN	CHK	APP	JOB NO	SHEET
ASM			RD190012	4 OF 5
DWG SIZE	CATALOG	DWG NO		
D	N	800325		



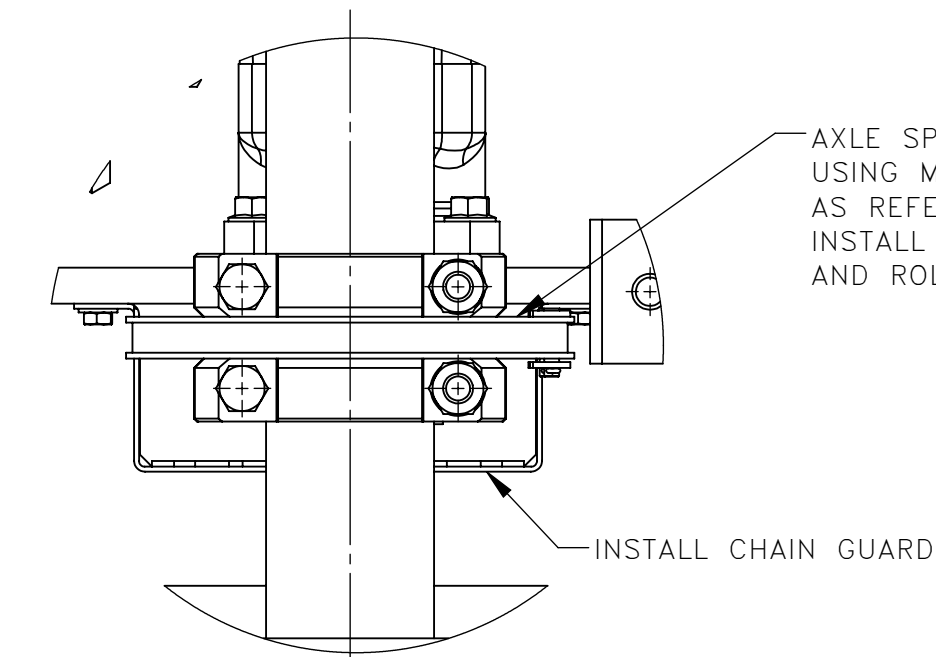
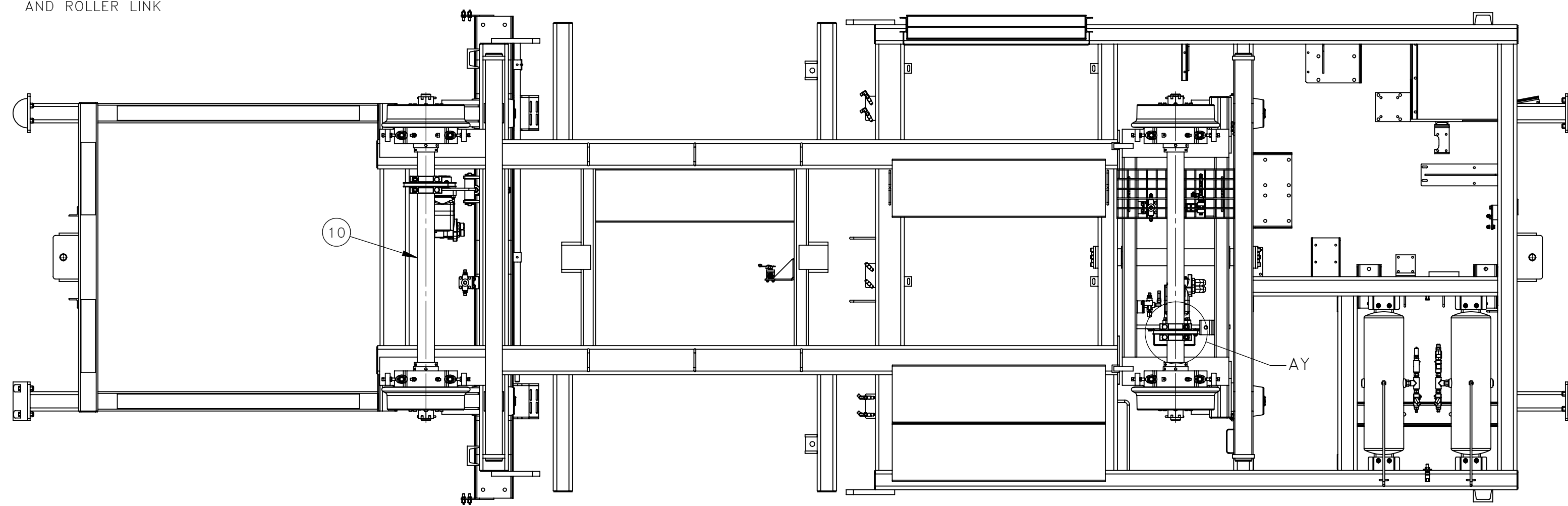
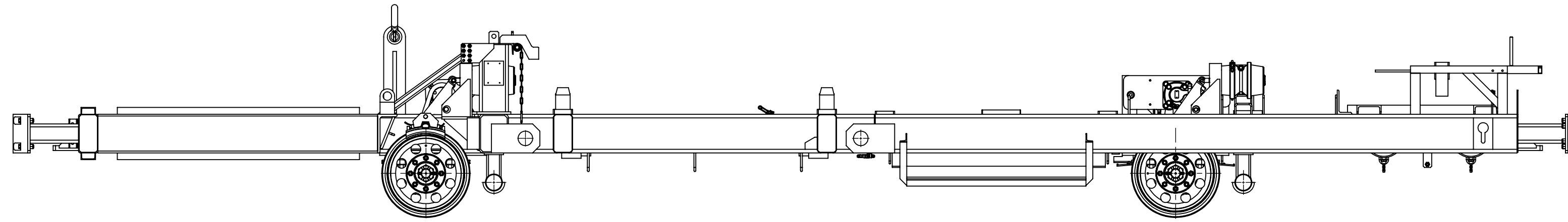
SECTION D-D  
SCALE 1 : 4



SECTION B-B  
SCALE 1 : 6



DETAIL V  
SCALE 1 : 3



DETAIL AY  
SCALE 1 : 4

AXLE SPROCKET POSITIONED  
USING MOTOR SPROCKET  
AS REFERENCE  
INSTALL ROLLER CHAIN  
AND ROLLER LINK

AXLE SPROCKET POSITIONED  
USING MOTOR SPROCKET  
AS REFERENCE  
INSTALL ROLLER CHAIN  
AND ROLLER LINK

REV	EN	DESCRIPTION	DATE	DRN
1		4569 NEW RELEASE	10-19	ASM
DIMENSION TOLERANCES UNLESS OTHERWISE SPECIFIED				
LINEAR		.XX=±.03	.XXX=±.010	
ANGULAR		X'=±1°	X.X'=±.5°	
SURFACE FINISH		125/√	SMOOTH ALL SHARP EDGES	
NOT TO EXCEED			CLEAN ALL WELDS	
THIS PRINT AND ALL INFORMATION WITHIN BELONGS TO RACINE RAILROAD PRODUCTS				
<b>RACINE RAILROAD PRODUCTS</b>				
RACINE, WISCONSIN USA				
DESCRIPTION				
INSTRUCTIONS, 3.50 DIA AXLE KIT				
MATERIAL				
SEE BOM				
USED ON		793066	SCALE	DATE
			1:20	10-28-19
DRN	CHK	APP	JOB NO	SHEET
ASM			RD190012	5 OF 5
DWG SIZE		CATALOG	DWG NO	
D		N	800325	