

DWG NO 800331

THESE INSTRUCTIONS ARE FOR KIT 793085.

**REMOVAL:**

1. ENSURE MACHINE IS POWERED OFF BEFORE PERFORMING THE CONVERSION.
2. UNPLUG 29-PIN CONNECTOR FROM EXISTING 3G MODEM.
3. DETACH 3G ANTENNA CABLES FROM 3G MODEM.
4. REMOVE EXISTING 3G MODEM. SAVE MOUNTING HARDWARE FOR REUSE.
  - **IMPORTANT NOTE:** RECORD THE SERIAL NUMBER FOUND ON THE OLD 3G MODEM AND THE NEW 4G MODEM AND RETURN THAT INFORMATION TO RRP ENGINEERING SO THAT THE ELEVATE CONNECTION SOFTWARE CAN BE UPDATED FOR THE NEW MODEM. [development@racinerailroad.com](mailto:development@racinerailroad.com)
5. COMPLETELY REMOVE 3G ANTENNA. NOTE ROUTING OF CABLES.

**INSTALLATION:**

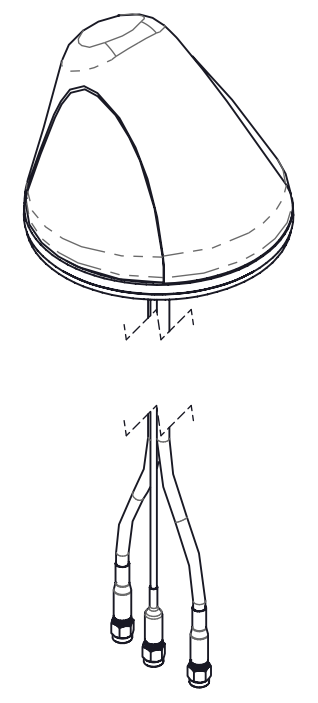
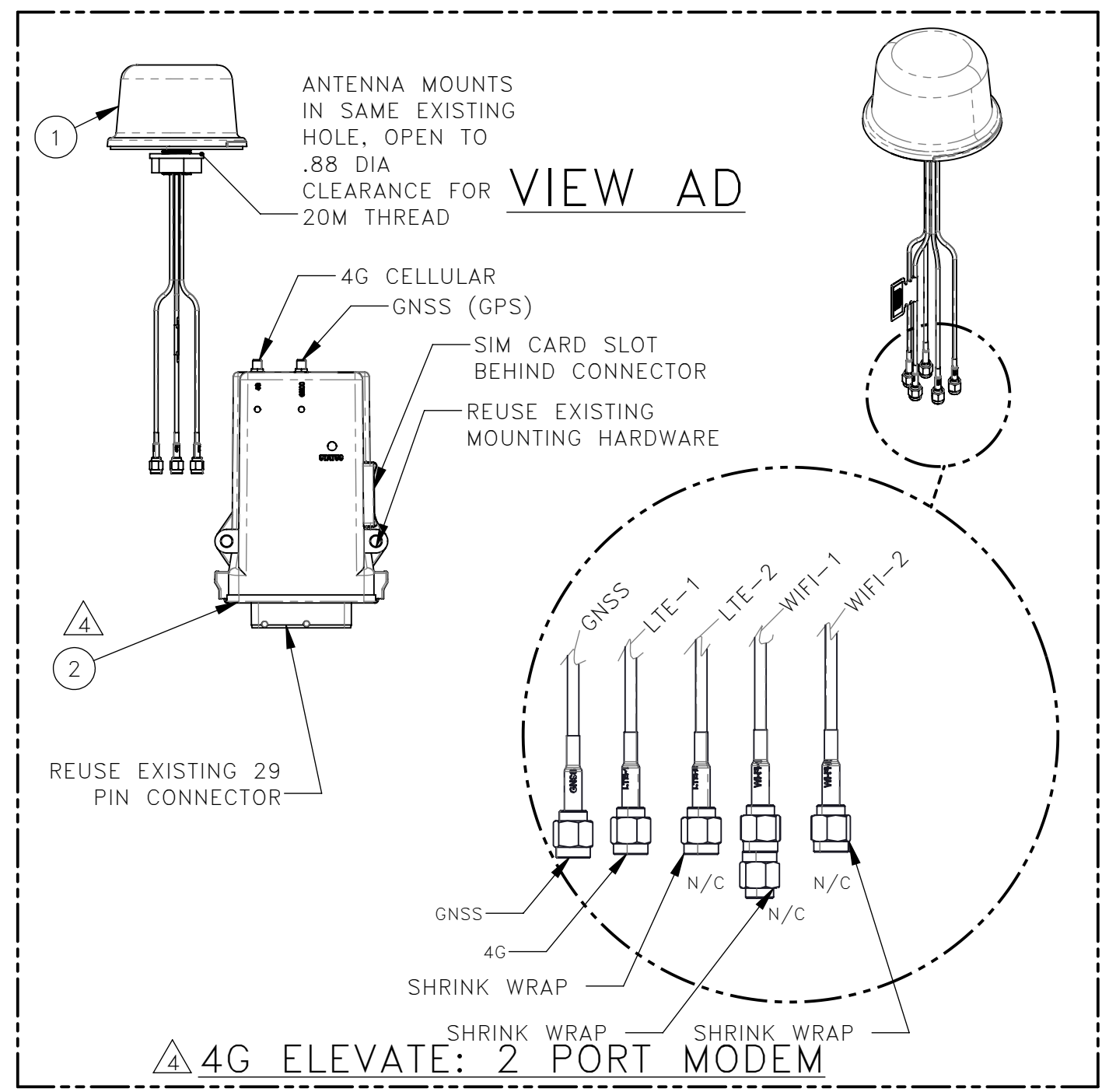
1. INCREASE EXISTING ANTENNA FOR CLEARANCE HOLE TO A .88 DIA.
2. INSTALL NEW 4G ANTENNA 475251 AND ROUTE CABLES THE SAME WAY AS THE OLD ANTENNA. (CABLES ON NEW ANTENNA SHOULD BE LABELED FOR FUNCTION)
3. INSTALL NEW 4G MODEM IN SAME LOCATION AND ORIENTATION AS OLD 3G MODEM.
4. INSTALL ANTENNA CABLES INTO MODEM, MATCHING LABELS ON ANTENNA CABLES TO MODEM CONNECTORS (SEE VIEW AC FOR 4G: 4 PORT MODEM & VIEW AC FOR THE 4G: 3 PORT MODEM & VIEW AD FOR THE 4G: 2 PORT MODEM).
5. SHRINK WRAP UNUSED CONNECTORS.
6. INSTALL 29 PIN CONNECTOR INTO MODEM.
7. POWER-UP MACHINE AND ENSURE MODEM POWERS UP PROPERLY.

!!!\*\*CRITICAL STEP FOLLOW INFORMATION BELOW ONCE MODEM IS INSTALLED, PLEASE EMAIL THE FOLLOWING INFORMATION TO: [development@racinerailroad.com](mailto:development@racinerailroad.com)

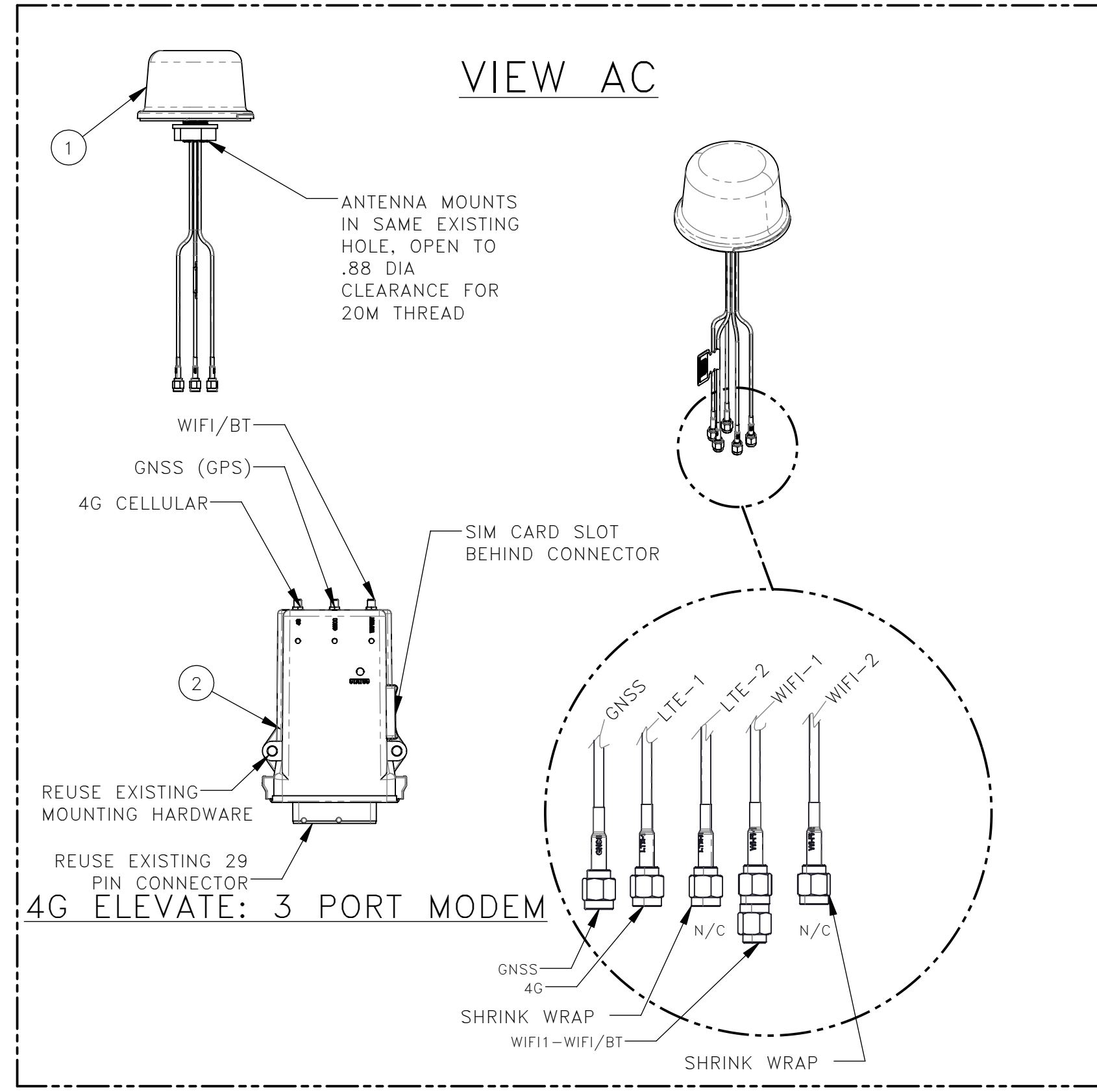
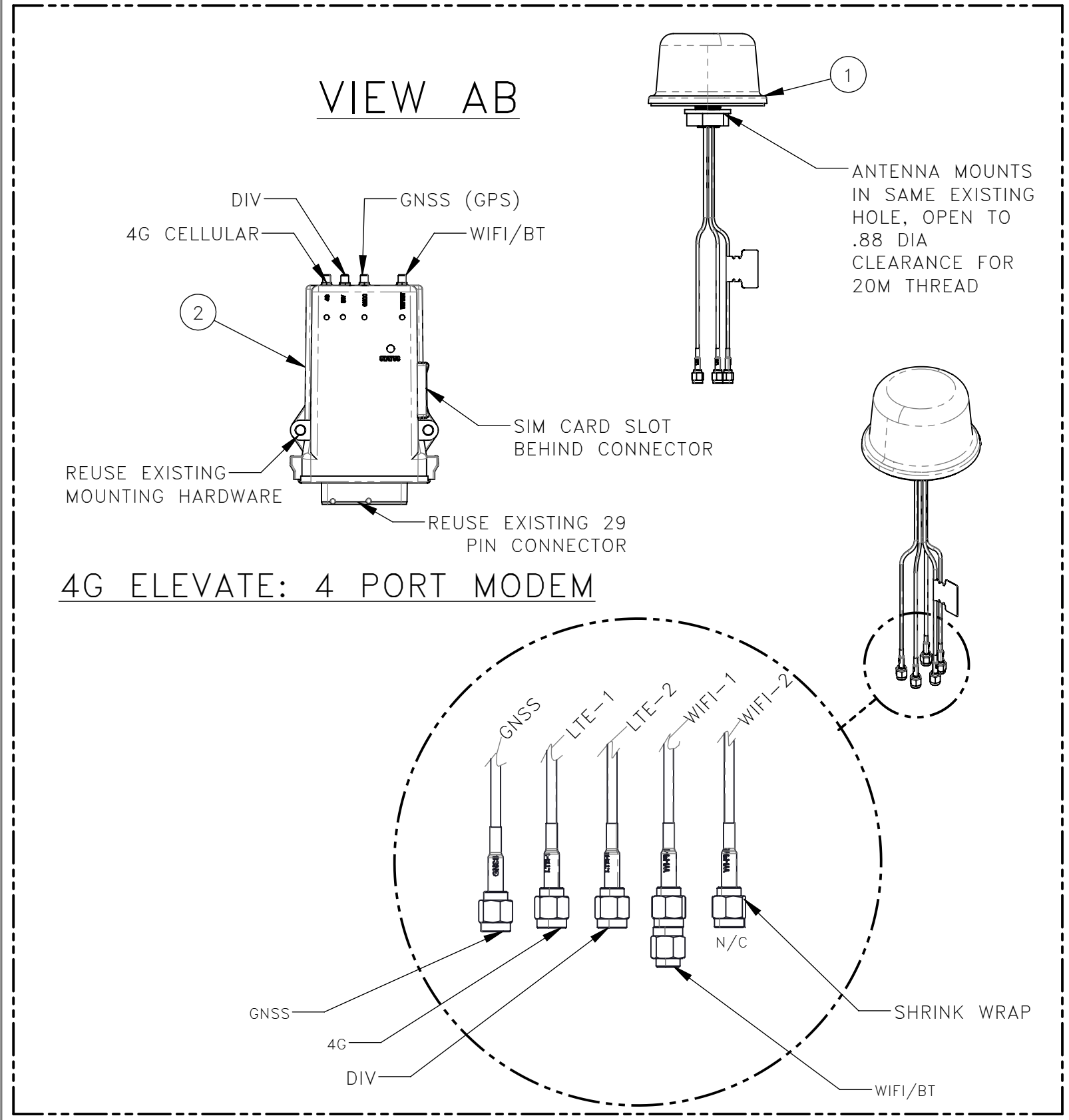
- A. PICTURE OF THE MODEM'S SERIAL NUMBER.
- B. MACHINE'S SERIAL NUMBER.
- C. MACHINE RUNNING NUMBER.

\*\*FAILURE TO DO SO, WILL PREVENT US FROM PROPERLY ACTIVATING AND ASSIGNING YOUR MODEM.

NO.	QTY	DESCRIPTION	PART NO.
1	REF	ANTENNA, TELEMATICS	475251
2	REF	MODEM, TELEMATICS	475252



SEE VIEW AC FOR REPLACEMENT ANTENNA CONNECTIONS HOOK UP



REV	EN	DESCRIPTION	DATE	DRN
1	5035	NEW RELEASE	5-20	SAG
2	6045	INSTRUCTIONS, 3G TO 4G MODEM CONVERSION TO INSTRUCTIONS, 4G MODEM KIT, UPDATE DATA CARD	1-22	PR
3	6138	ADD VIEW AC AND VIEW AB. UPDATE INSTRUCTIONS.	2-22	PR
4	6443	ADD 2 PORT MODEM HOOK-UP VIEW AD	10-22	PR

DIMENSION TOLERANCES UNLESS OTHERWISE SPECIFIED

LINEAR	.XX=±.03	.XXX=±.010
ANGULAR	X°=±1°	X.X°=±.5°

SURFACE FINISH 125/✓ SMOOTH ALL SHARP EDGES NOT TO EXCEED CLEAN ALL WELDS

THIS PRINT AND ALL INFORMATION WITHIN BELONGS TO RACINE RAILROAD PRODUCTS

**RACINE RAILROAD PRODUCTS**  
RACINE, WISCONSIN USA

DESCRIPTION  
INSTRUCTIONS, 4G MODEM KIT

MATERIAL  
SEE BOM

USED ON  
800331 SCALE 1:3 DATE 05-29-20

DRN SG CHK APP JOB NO RD190005 SHEET 1 OF 1

DWG SIZE C CATALOG N DWG NO 800331