

DCA Tool Chart (Apply Tools and Removal Tool)

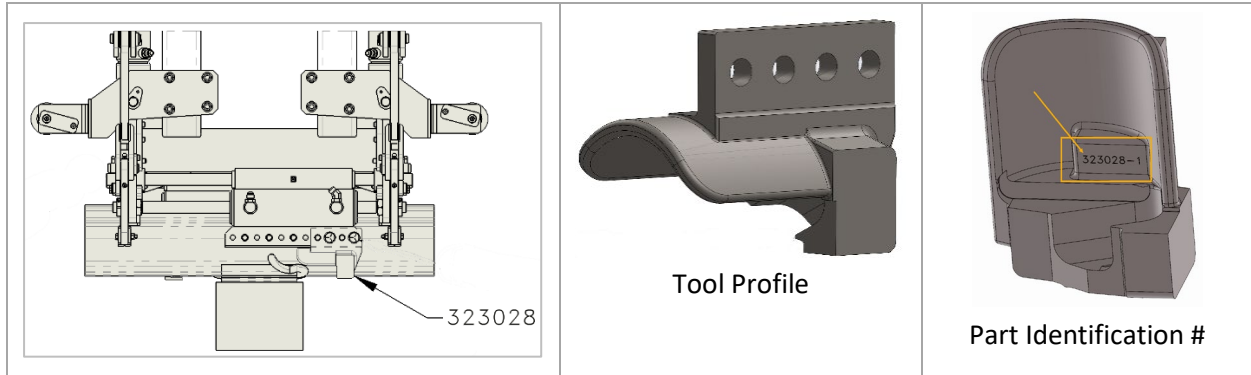
Tie Composite	Rail Weight	Rail Base Size	RRP# Tool Part Numbers
Wood/Rolled Plate	110 and 115 LB	5.5"	Apply Tool Part #323028
			Removal Tool Part #782044
Steel	110 and 115 LB	5.5"	Apply Tool Part #323029
			Removal Tool Part #782044
Concrete	110 and 115 LB	5.5"	Apply Tool Part #323029
			Removal Tool Part #782044
Steel (w/ Insulator)	110 and 115 LB	5.5"	Apply Tool Part #323029
			Removal Tool Part #782044

Tie Composite	Rail Weight	Rail Base Size	RRP# Tool Part Numbers
Wood/Rolled Plate	132, 136, 140 LB	6.0"	Apply Tool Part #323028 w/ shims
		6.0"	Removal Tool Part #782044
Steel	132, 136, 140 LB	6.0"	Apply Tool Part #
		6.0"	Removal Tool Part #782044
Concrete	132, 136, 140 LB	6.0"	Apply Tool Part #323029 w/ shims
		6.0"	Removal Tool Part #782044
Steel (w/ Insulator)	132, 136, 140 LB	6.0"	Apply Tool Part #323029 w/ shims
		6.0"	Removal Tool Part #782044
Wood Tie & Victor Plate	132, 136, 140 LB	6.0"	Apply Tool Part #323030 w/ shims
	132, 136, 140 LB	6.0"	Removal Tool Part #782044
Wood Tie & Victor-Bridge Staggered	132, 136, 140 LB	6.0"	Apply Tool Part #323030 w/ shims
		6.0"	Removal Tool Part #782044

Apply and Removal Tools

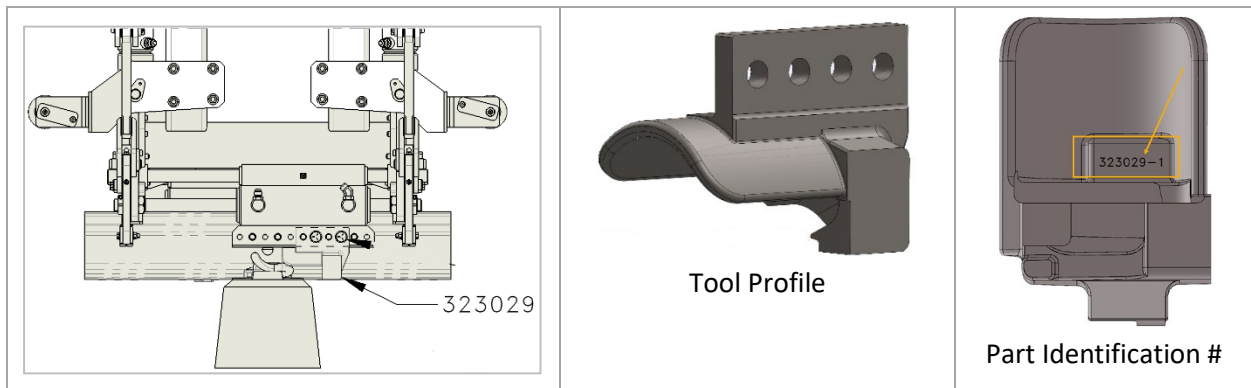
Apply Tool Part #323028

- Right E-Clip Apply Tool for e2055 Clips, Roll Plates



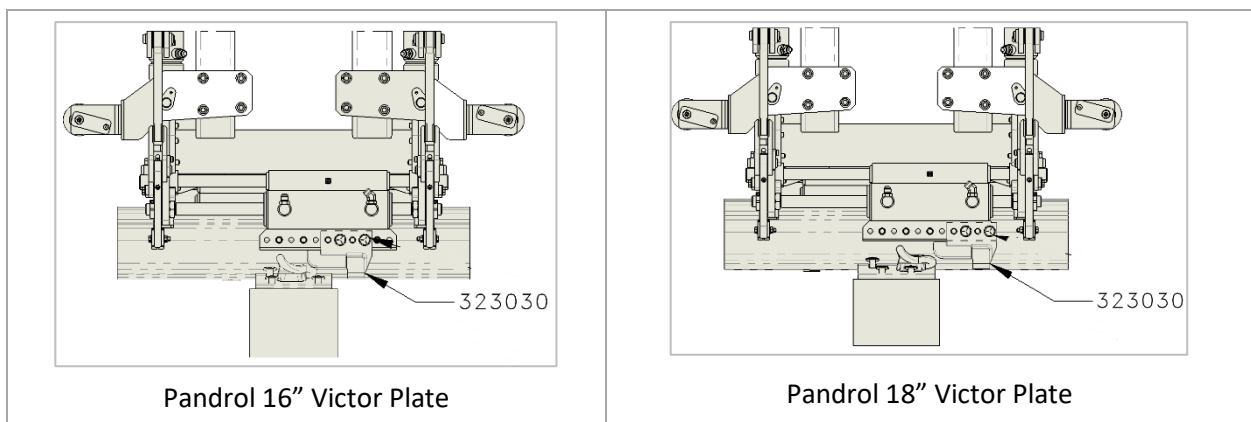
Apply Tool Part #323029

- Right E-Clip Apply Tool for e2055 Clips, Concrete Ties and Steel Ties



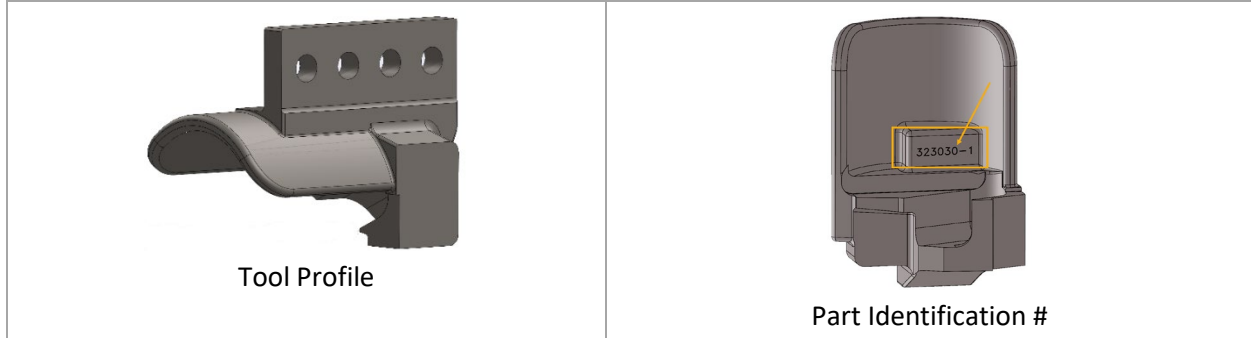
Apply Tool Part #323030

- Right E-Clip Apply Tool for e2055 Clips, Victor Plates



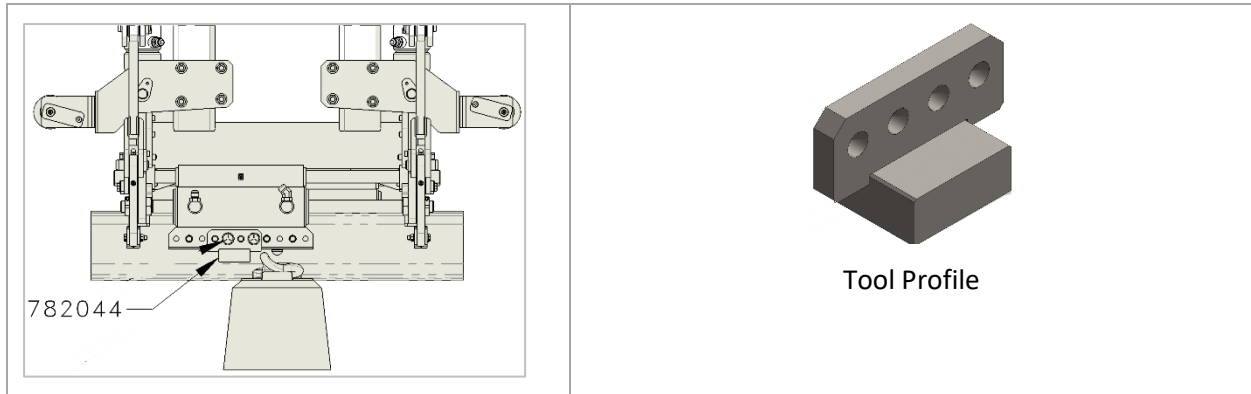
Apply Tool Part #323030

- Right E-Clip Apply Tool for e2055 Clips, Victor Plates




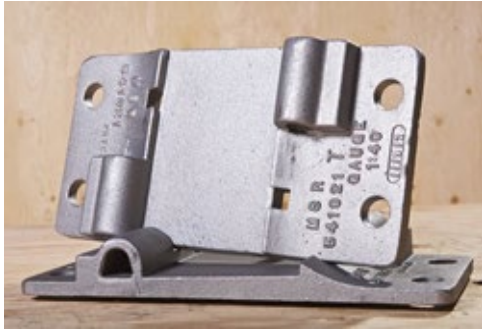


Removal Tool Part #782044

- E Clip Removal Tool for removing Pandrol E2055 & E2056 Clips



Plates

<p>Wood Ties / Rolled Plate</p>	
<p>E-Clip 6" Rail Base (Heavy Haul) Cast Plate (similar to Victor, Concrete & Steel Plate)</p>	
<p>Similar To Victor Plate Staggered</p>	 <p>'e' Clip 5.5" rail</p>
<p>Steel Ties</p>	

<p>Concrete Ties</p>	
<p>Staggered Victor (Ns Bridge)</p>	
<p>Standard Victor-Symmetrical</p>	
<p>1.5" Victor Offset 16"</p>	
<p>1.5" Victor Offset 18"</p>	