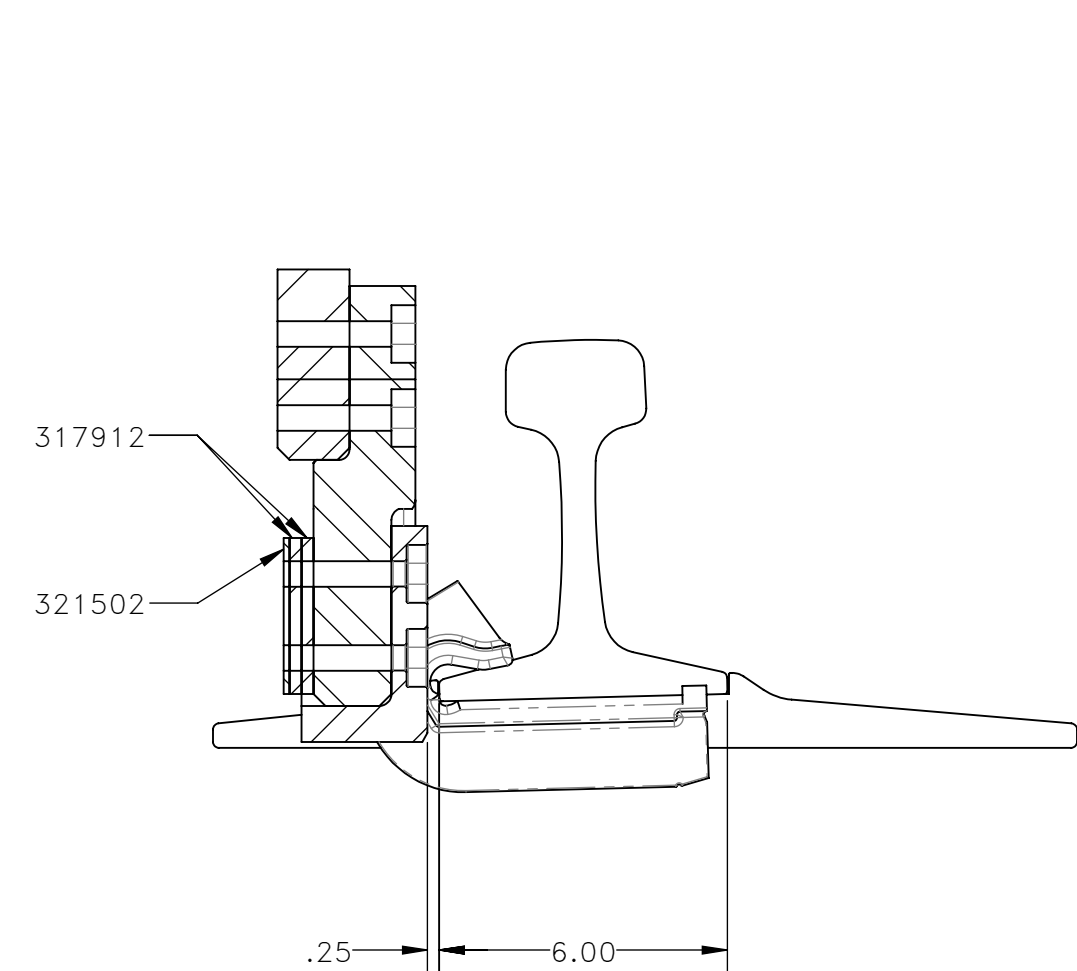
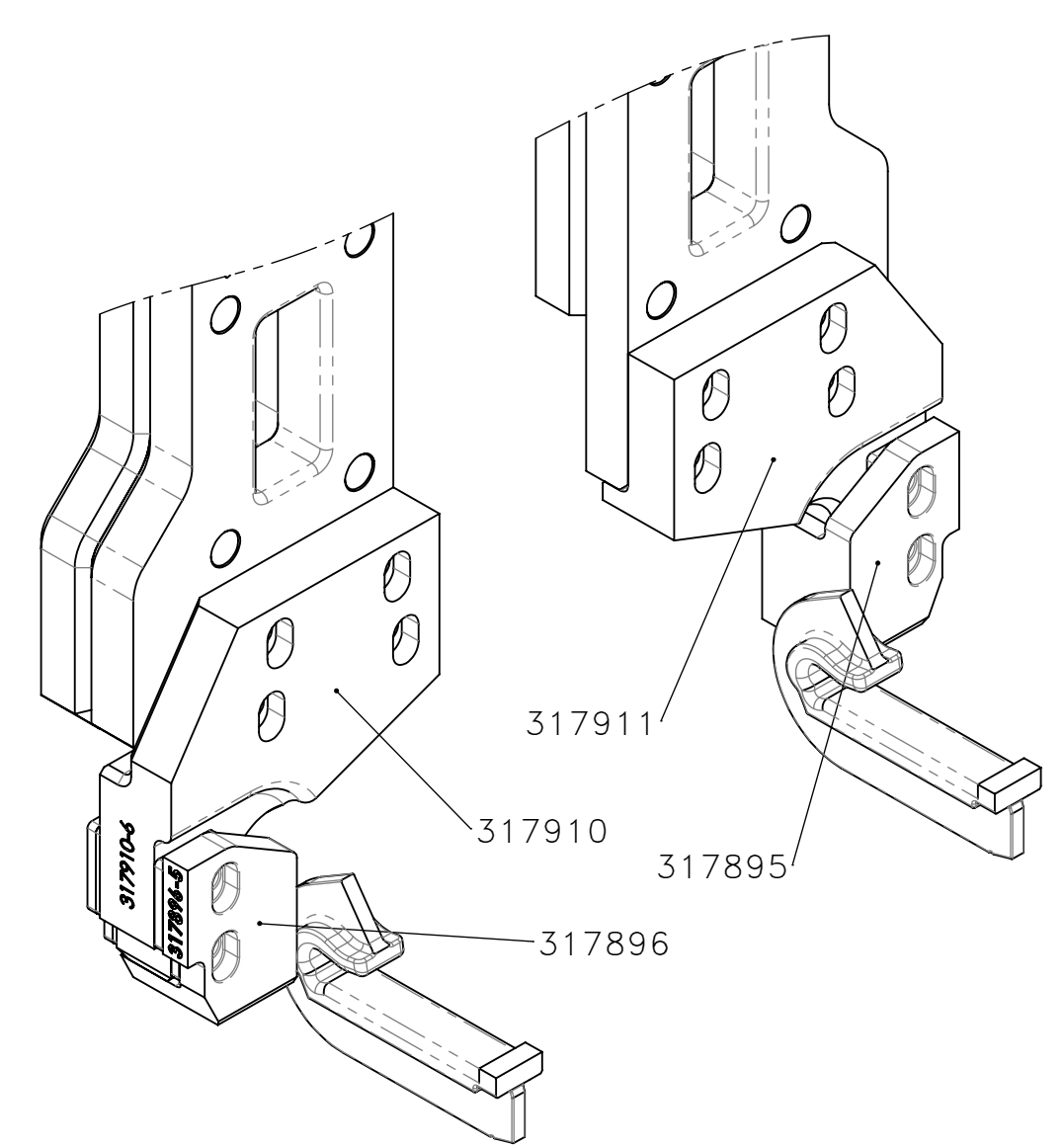
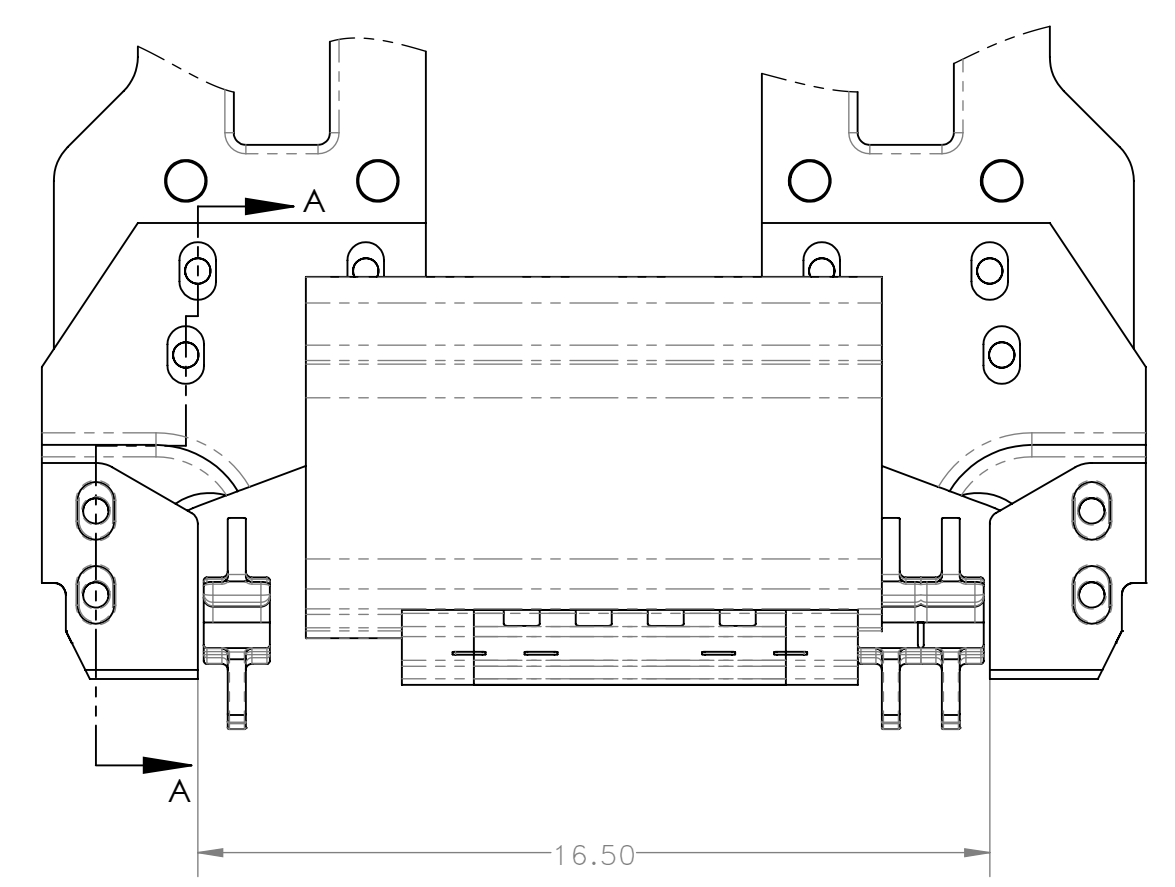


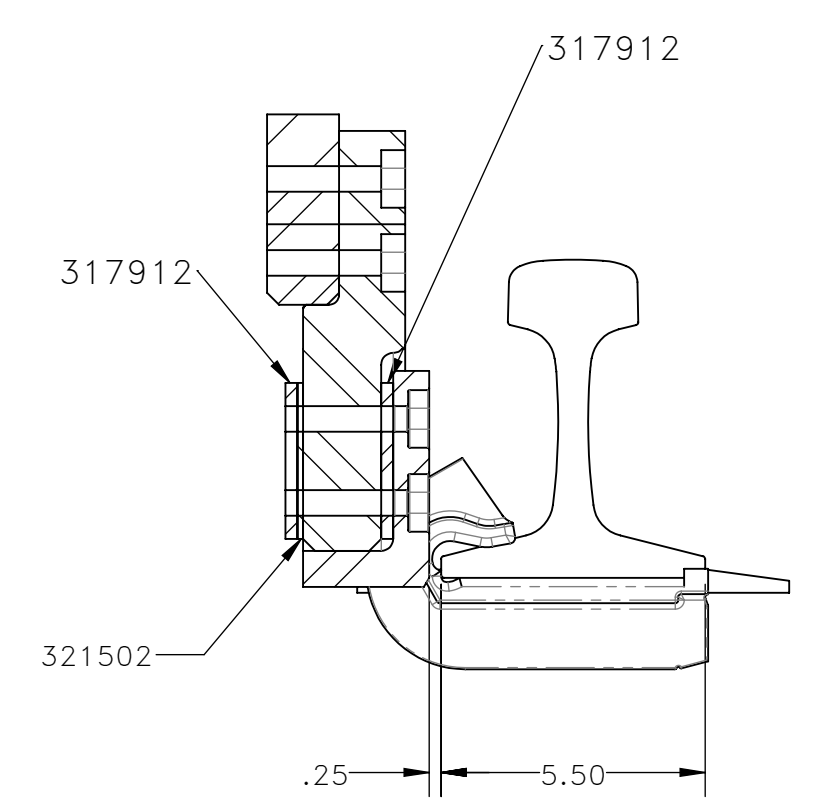
6" RAIL-SQUEEZE/ADJUST



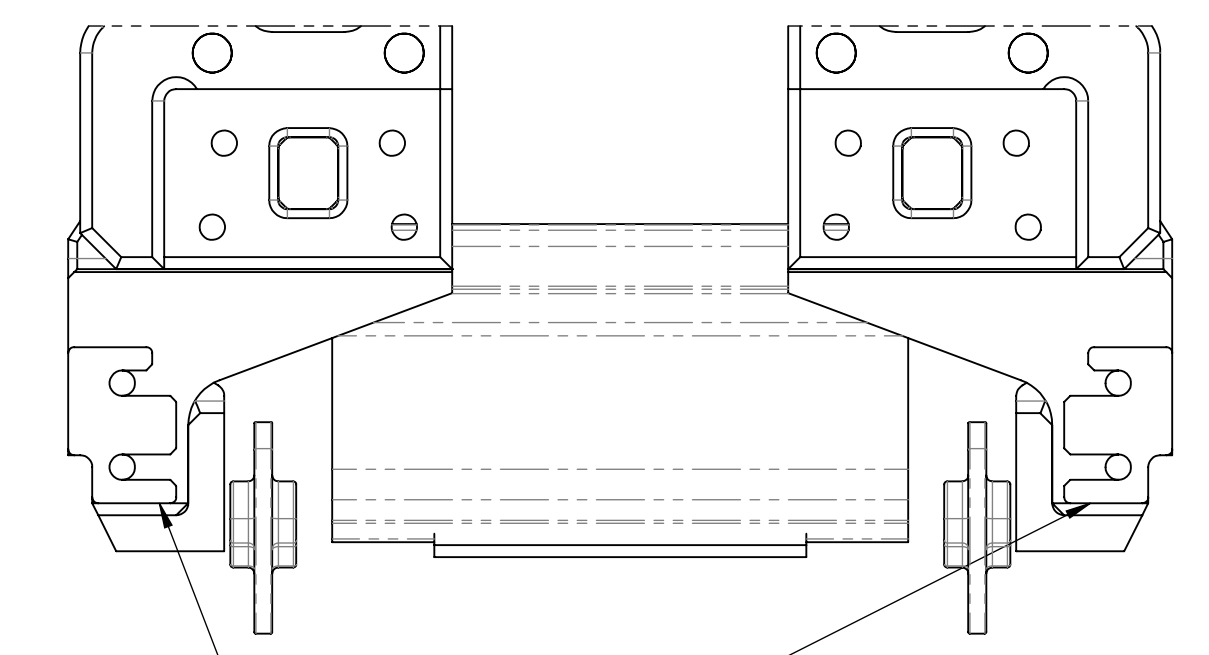
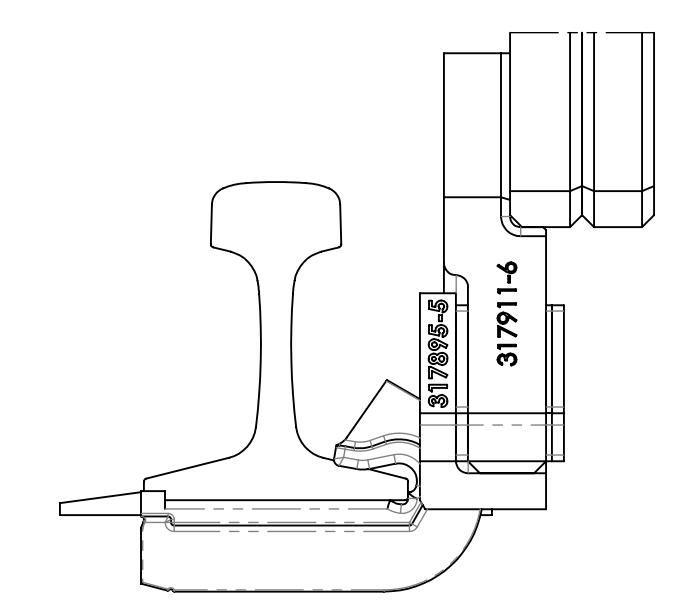
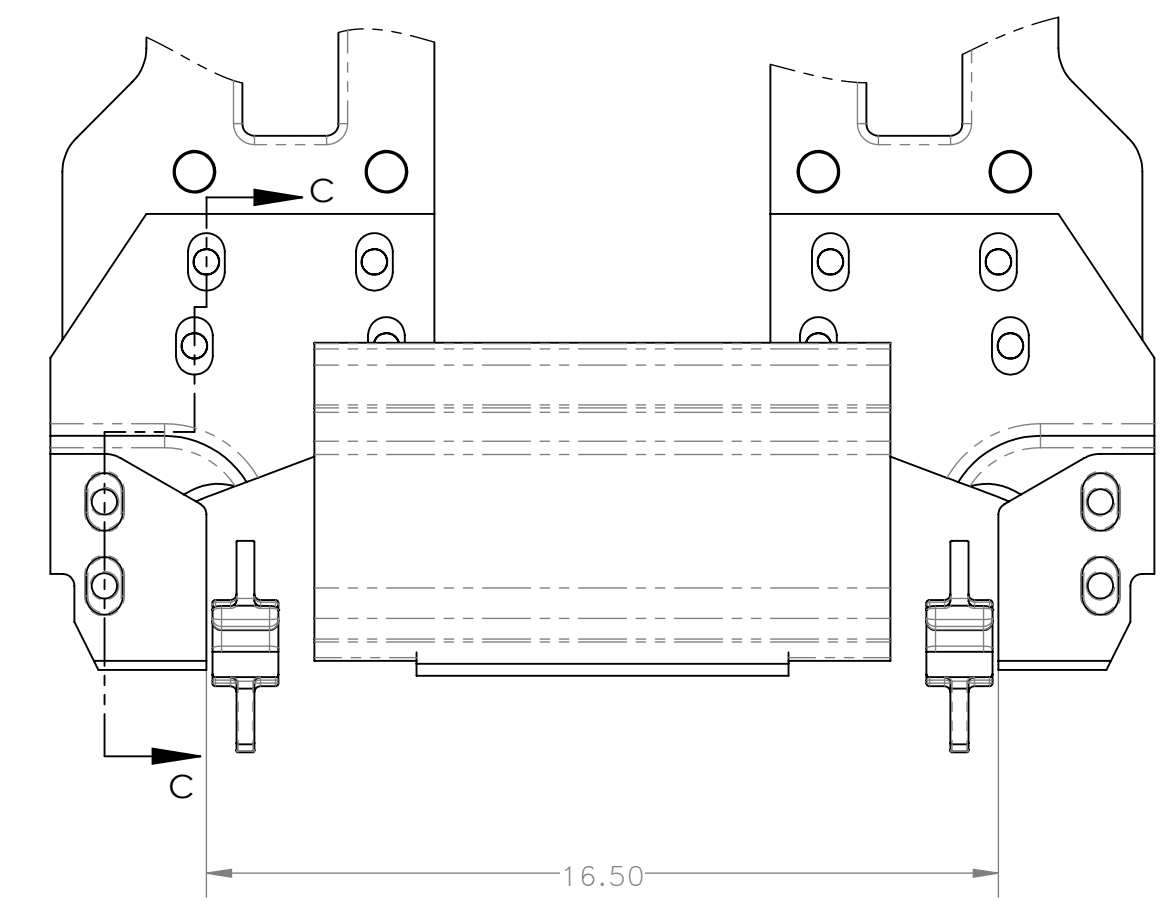
SECTION A-A  
SCALE 1:4



5.5" RAIL-SQUEEZE/ADJUST



SECTION C-C  
SCALE 1:4



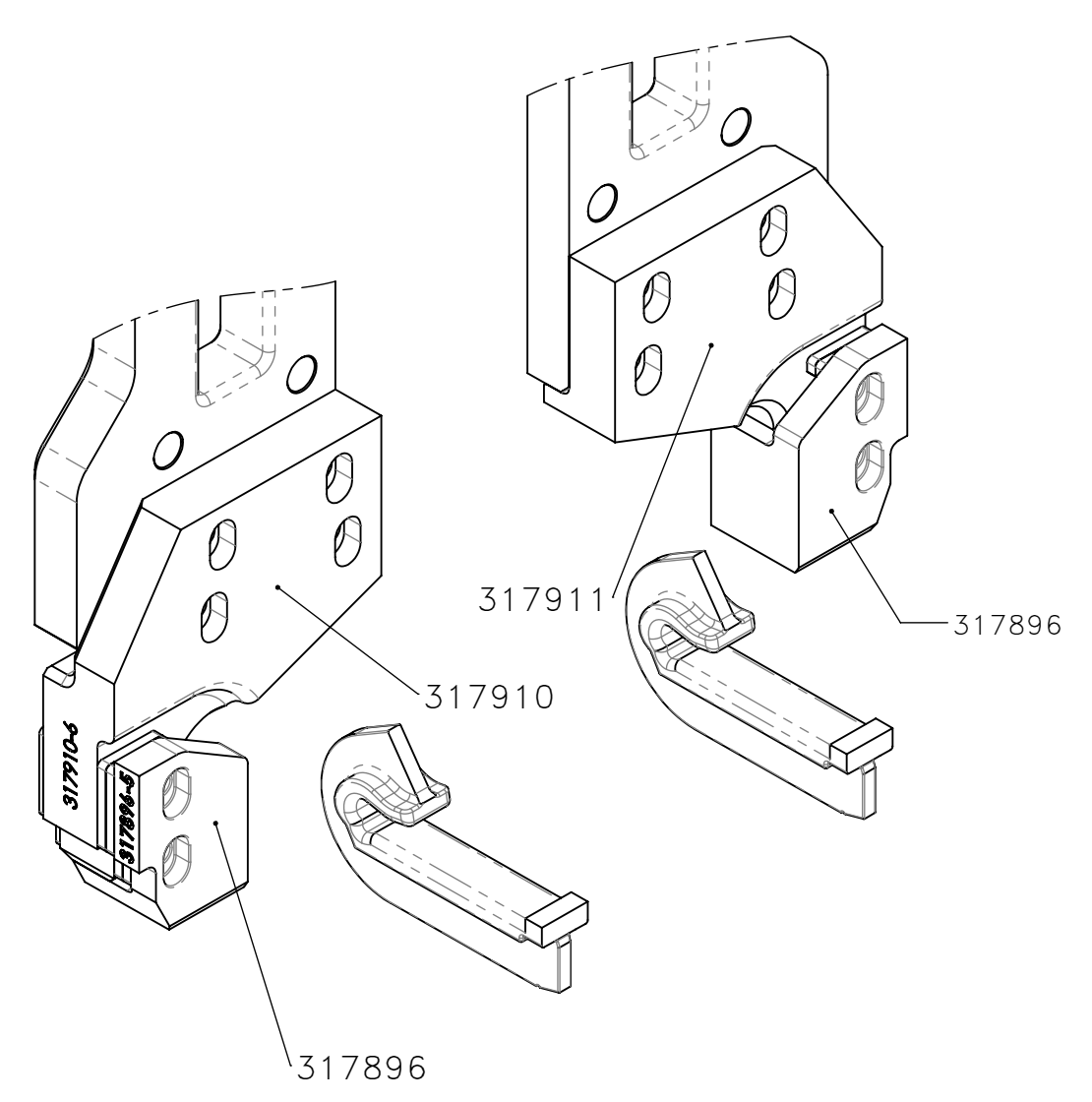
SHIM ORIENTATION:  
FOR EASE OF EXCHANGABLE  
SHIMS

FOR GEN-3 COMBO MACHINES (914570) AND EARLIER:  
SEE KIT P/N 792985 TO CONVERT DASP TOOLS TO ANCHOR SQUEEZE  
SEE KIT P/N 792986 TO CONVERT DASP TOOLS TO ANCHOR SPREAD

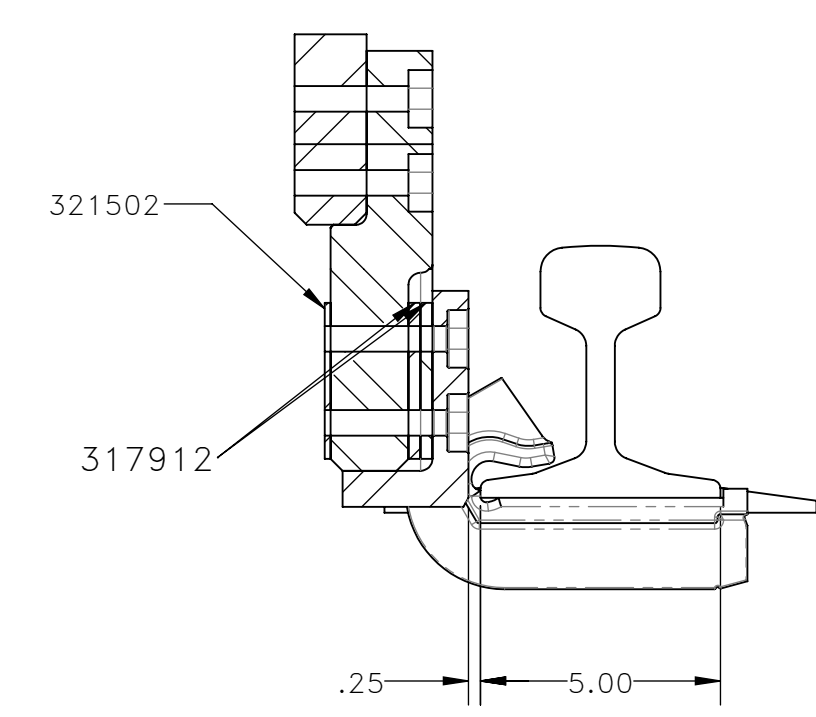
FOR GEN-4 COMBO MACHINES (93x582):  
SEE KIT P/N 793071 TO CONVERT DASP TOOLS TO ANCHOR SQUEEZE  
SEE KIT P/N 792986 TO CONVERT DASP TOOLS TO ANCHOR SPREAD

THE ABOVE COMBO MACHINES:  
\*THE ADDITION OF 321502 SHIM CAN BE  
UTILIZED TO PROVIDE FINER ADJUSTMENTS OF A  
TIGHTER CLEARANCE BETWEEN TOOLS AND RAIL.

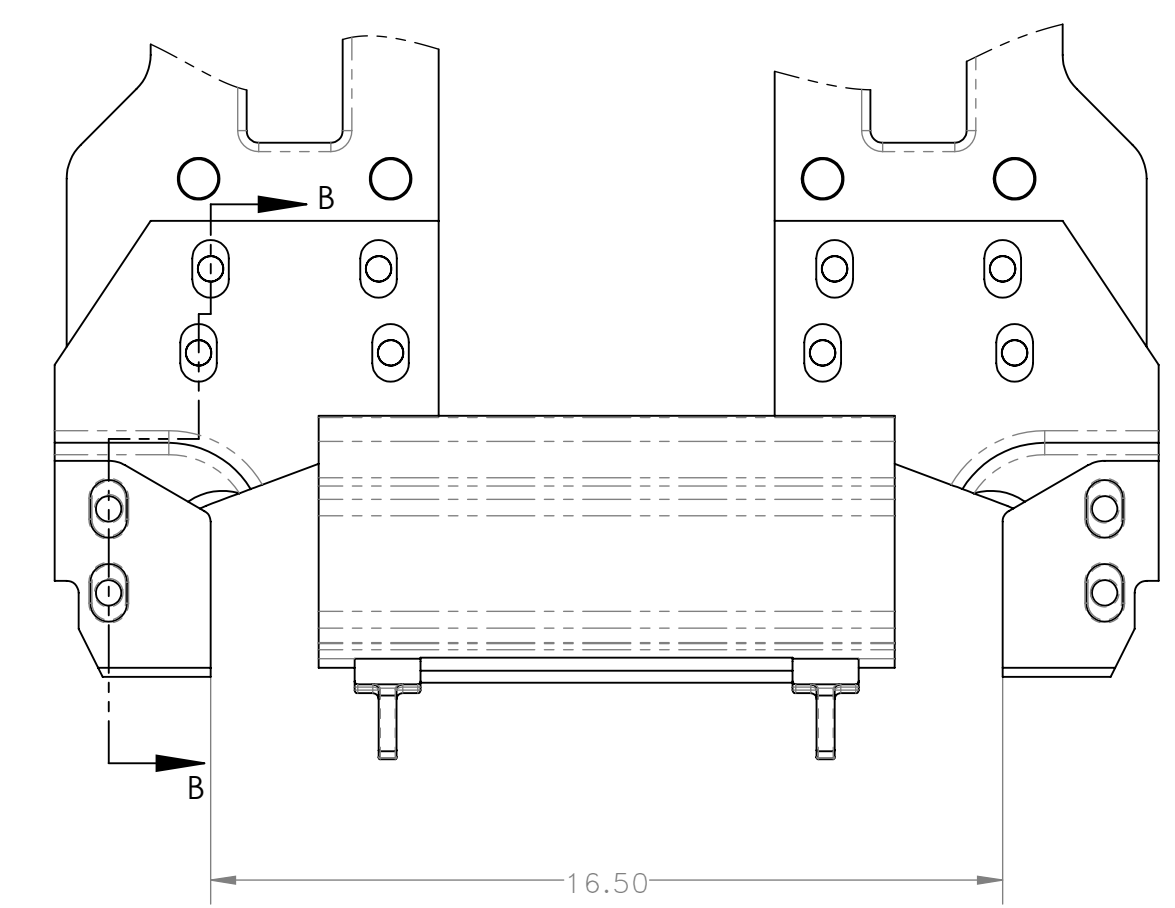
ANCHOR ADJUST TOOLS



5" RAIL-SQUEEZE/ADJUST



SECTION B-B  
SCALE 1:4



REV	EN	DESCRIPTION	DATE	DRN
1	2443	NEW RELEASE	8-17	MAI
2	2490	ADDED 16.50, 7.50, & 12.00 DIMENSIONS	9-17	MAI
3	2756	ADDED NOTE	12-17	MAI
4	4672	REVISED NOTES SHEET 1	12-19	SAG
5	5043	UPDATE TOOLING PICTORIALY	6-20	PR
6	5453	UPDATE SHIM ORIENTATION	12-20	PR

DIMENSION TOLERANCES UNLESS OTHERWISE SPECIFIED

LINEAR	.XX=±.03	.XXX=±.010
ANGULAR	X' = ±1'	X.X' = ±.5'

SURFACE FINISH 125/√ SMOOTH ALL SHARP EDGES NOT TO EXCEED CLEAN ALL WELDS

THIS PRINT AND ALL INFORMATION WITHIN BELONGS TO RACINE RAILROAD PRODUCTS

**RACINE RAILROAD PRODUCTS**  
RACINE, WISCONSIN USA

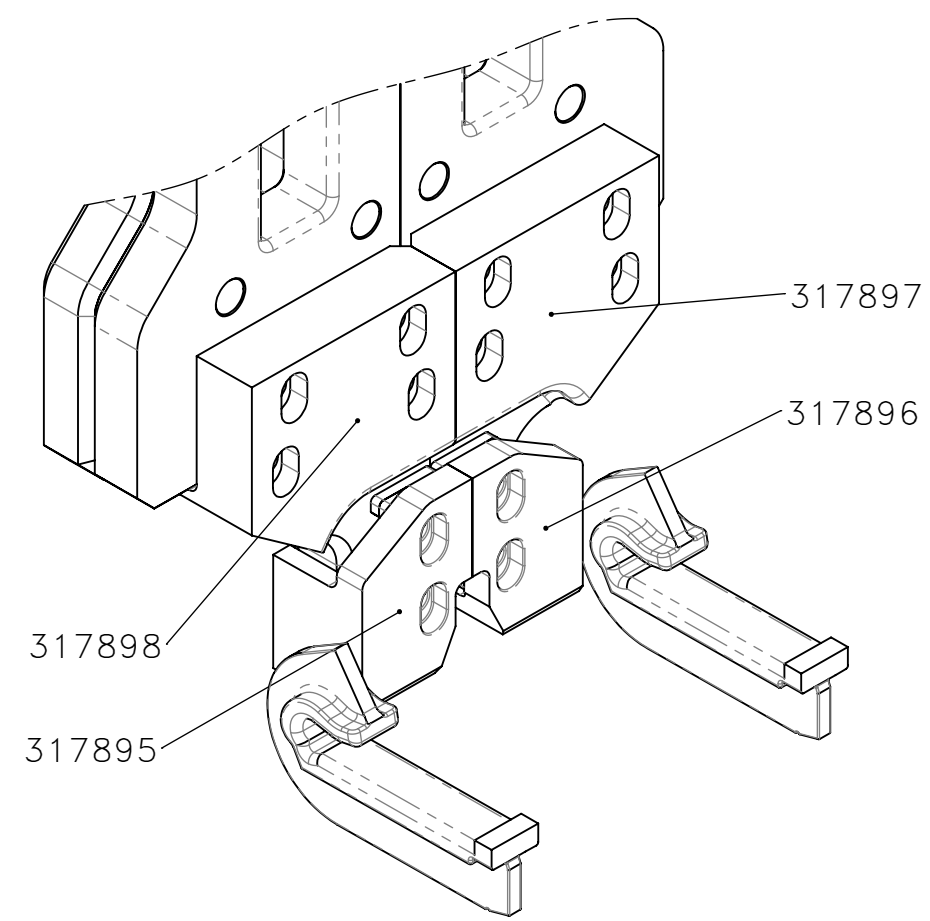
DESCRIPTION  
INSTRUCTIONS, DASP TOOLS

MATERIAL  
SEE BOM

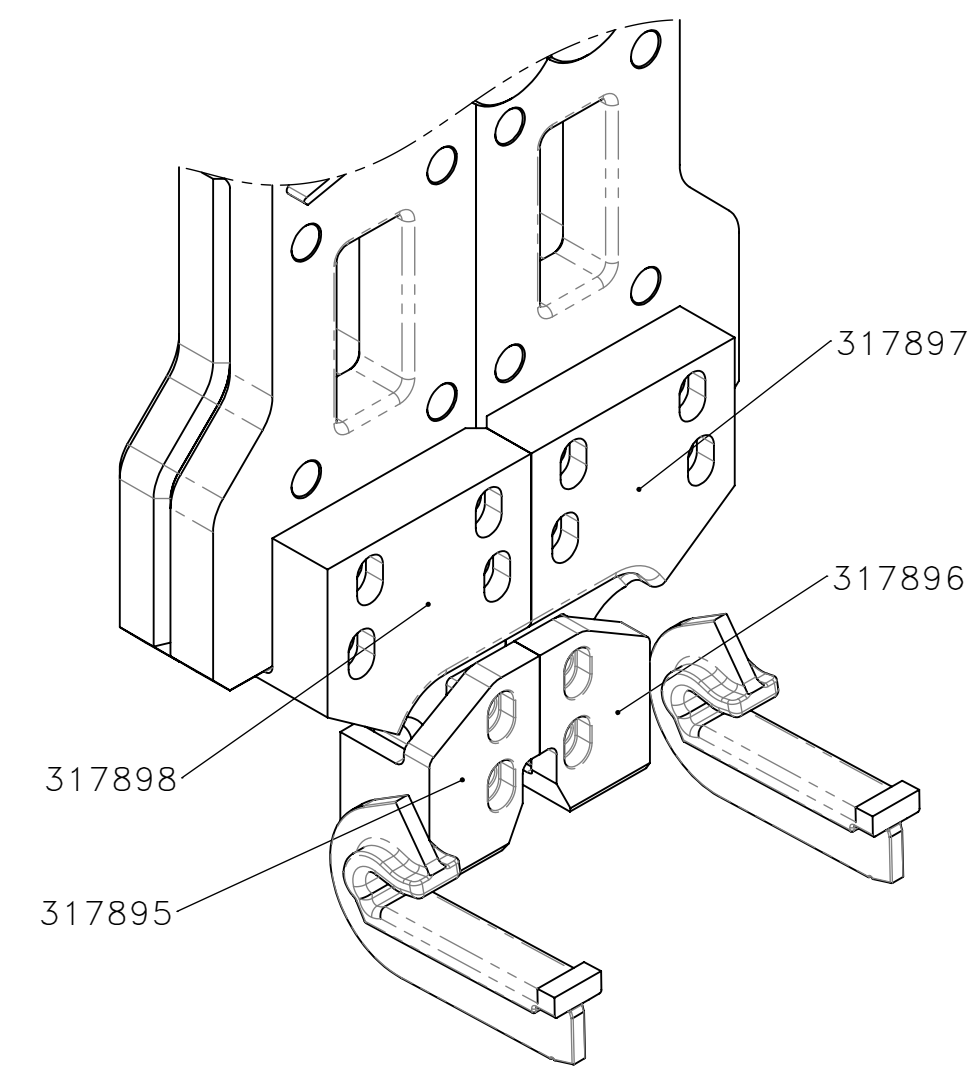
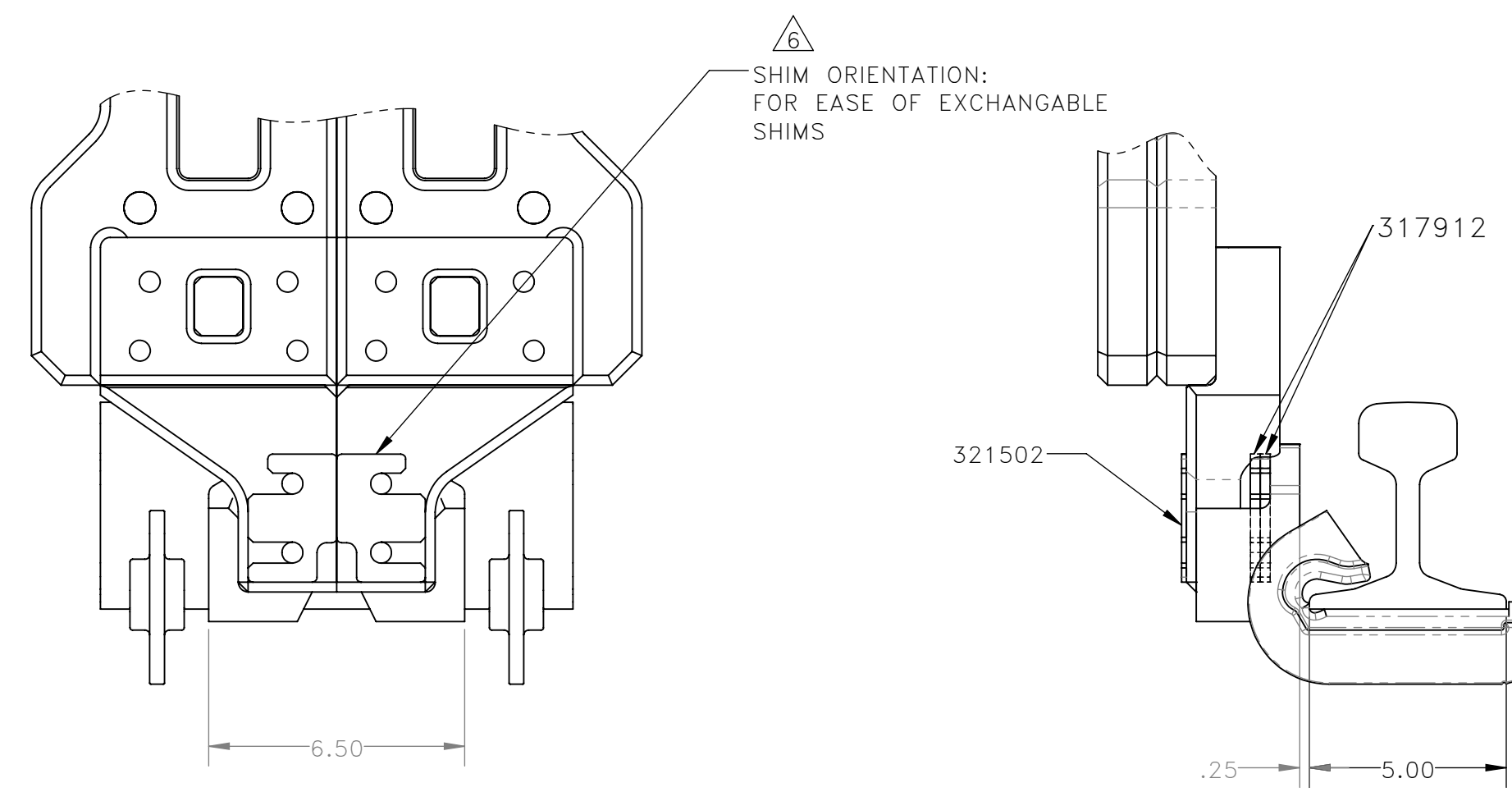
USED ON	SCALE	DATE
792980	1:12	08-28-17

DRN	CHK	APP	JOB NO	SHEET
MI			RD140001	1 OF 3

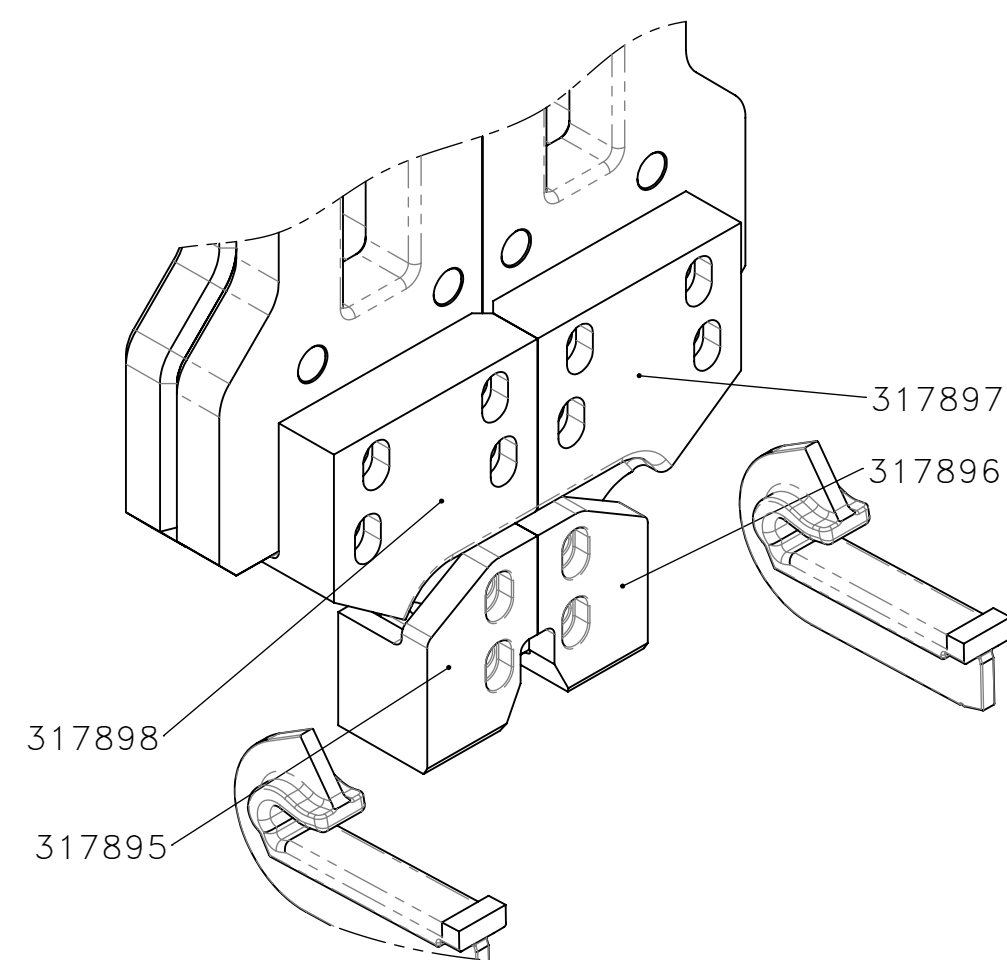
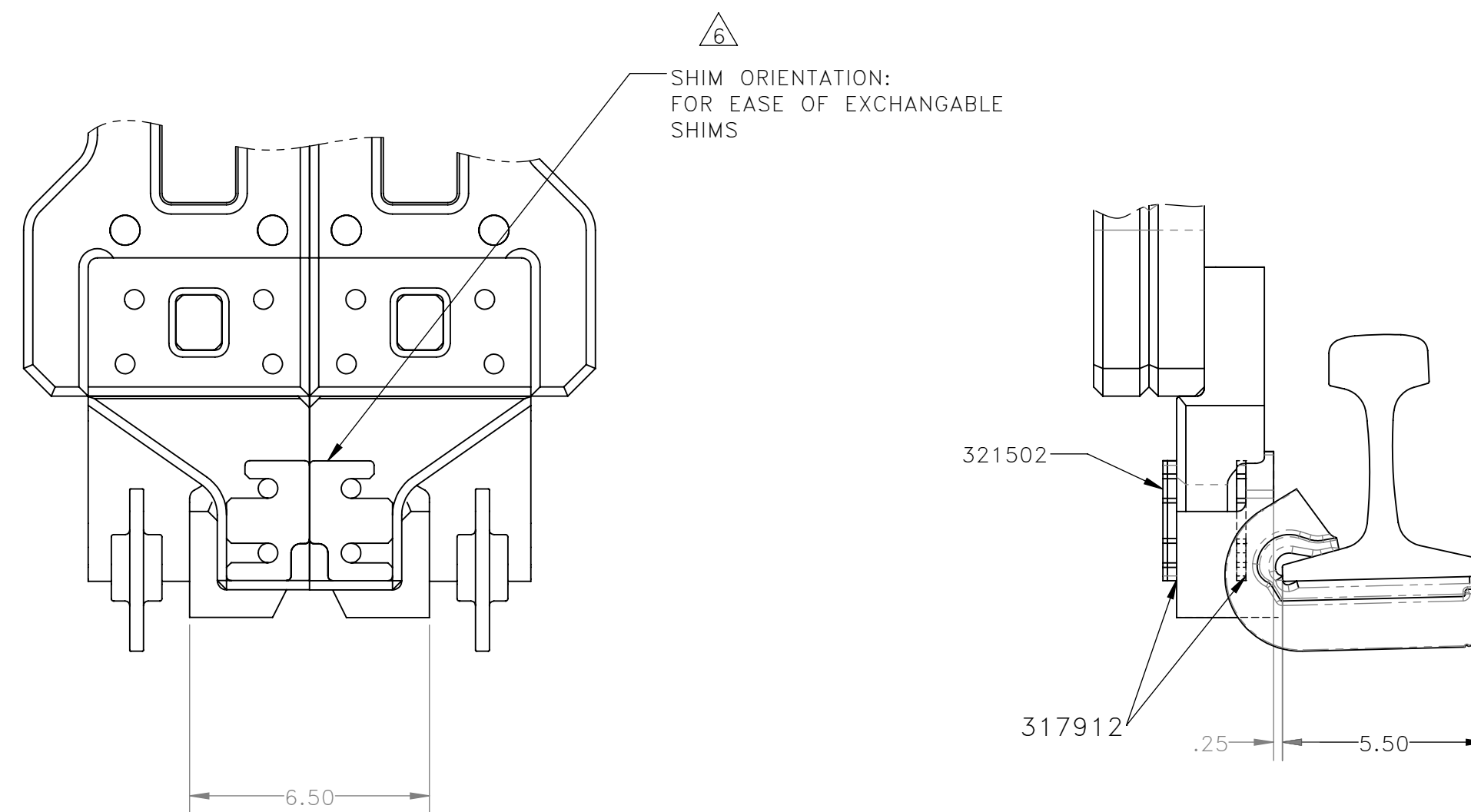
DWG SIZE	CATALOG	DWG NO
D	K	800258



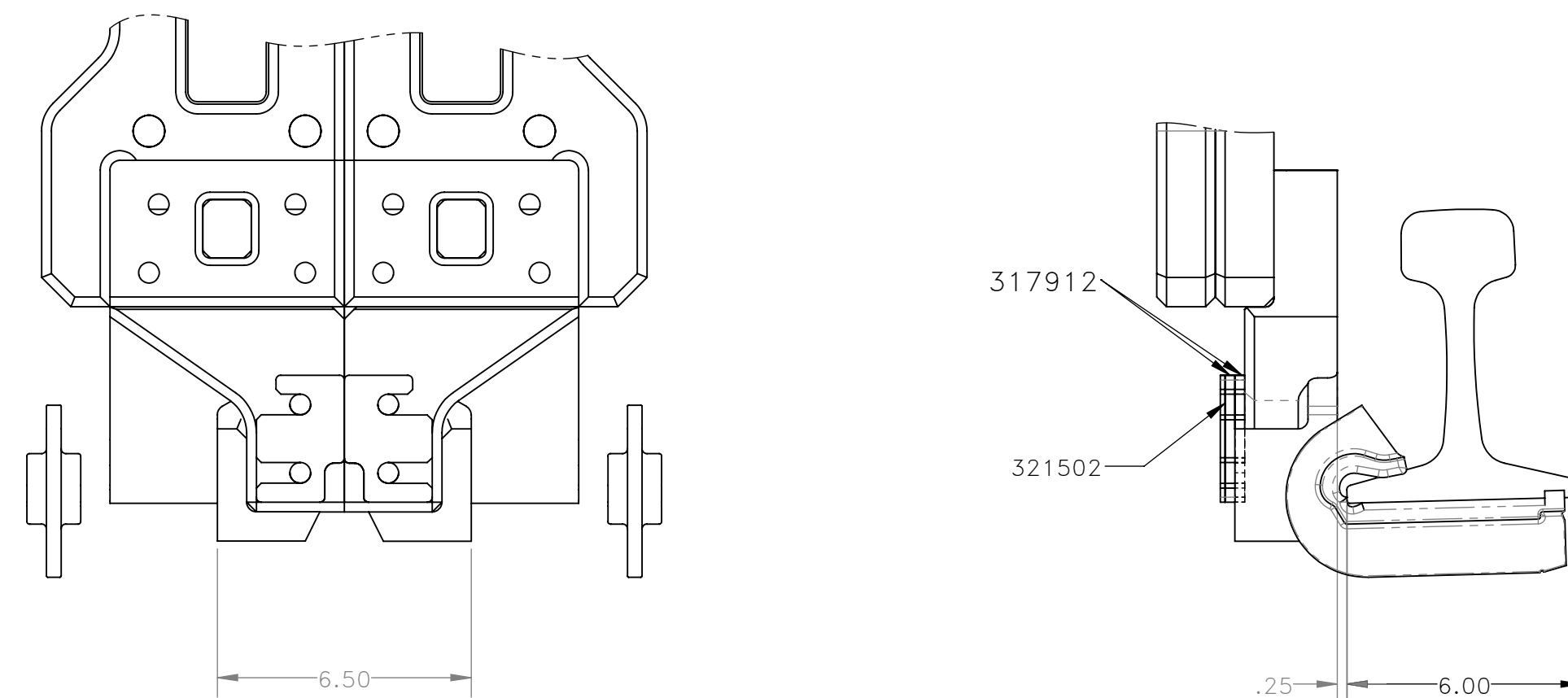
5" RAIL-SPREAD



5.5" RAIL-SPREAD



6" RAIL-SPREAD



# ANCHOR SPREAD TOOLS

REV	EN	DESCRIPTION	DATE	DRN
1	2443	NEW RELEASE	8-17	MAI
2	2490	ADDED 16.50, 7.50, & 12.00 DIMENSIONS	9-17	MAI
3	2756	ADDED NOTE	12-17	MAI
4	4672	REVISED NOTES SHEET 1	12-19	SAG
5	5043	UPDATE TOOLING PICTORIALY	6-20	PR
6	5453	UPDATE SHIM ORIENTATION	12-20	PR

DIMENSION TOLERANCES UNLESS OTHERWISE SPECIFIED

LINEAR	.XX=±.03	.XXX=±.010
ANGULAR	X'=±1°	X.X'=±.5°

SURFACE FINISH 125/√ SMOOTH ALL SHARP EDGES  
NOT TO EXCEED CLEAN ALL WELDS

THIS PRINT AND ALL INFORMATION WITHIN BELONGS TO RACINE RAILROAD PRODUCTS

**RACINE RAILROAD PRODUCTS**  
RACINE, WISCONSIN USA

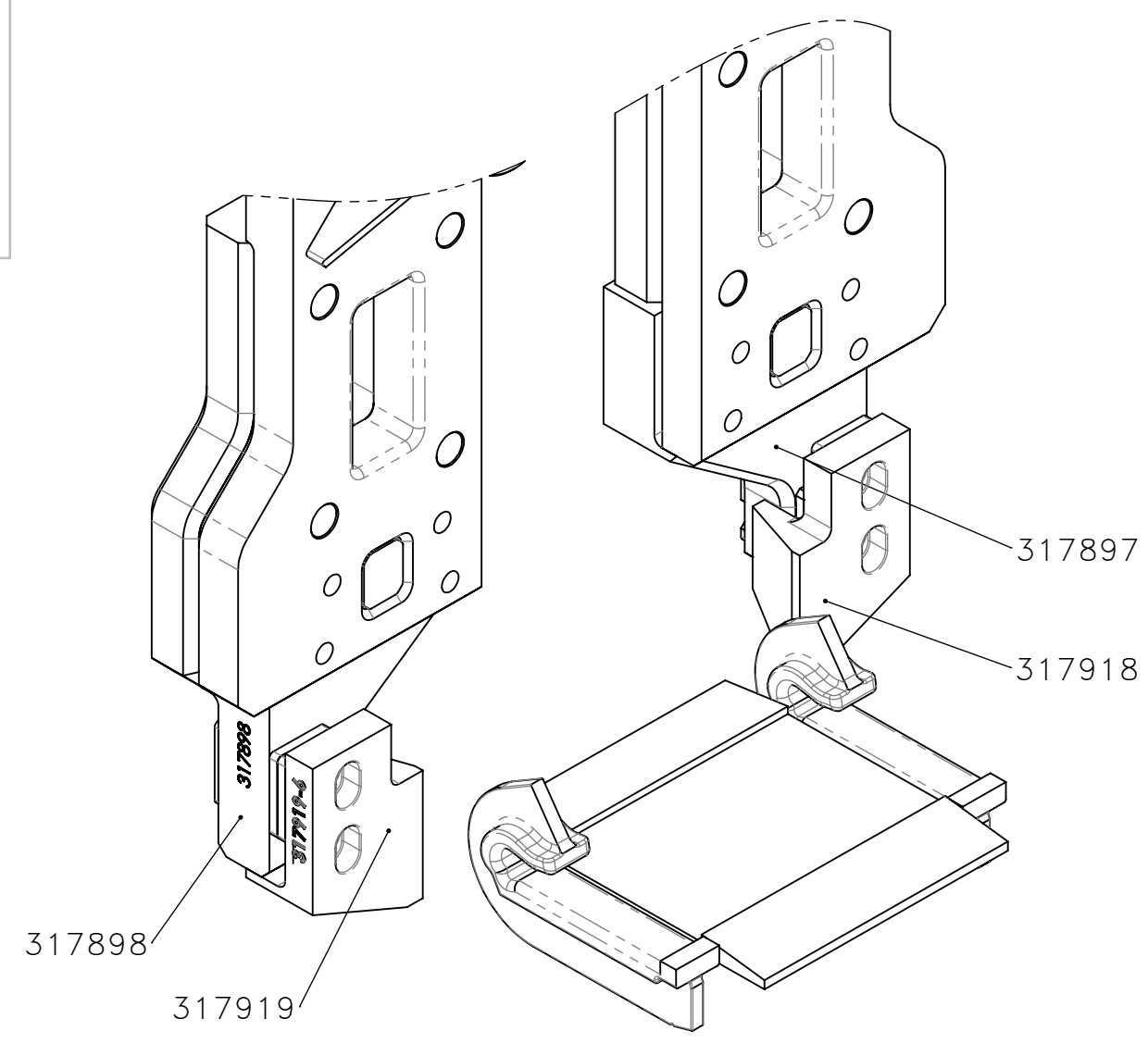
DESCRIPTION  
INSTRUCTIONS, DASP TOOLS

MATERIAL  
SEE BOM

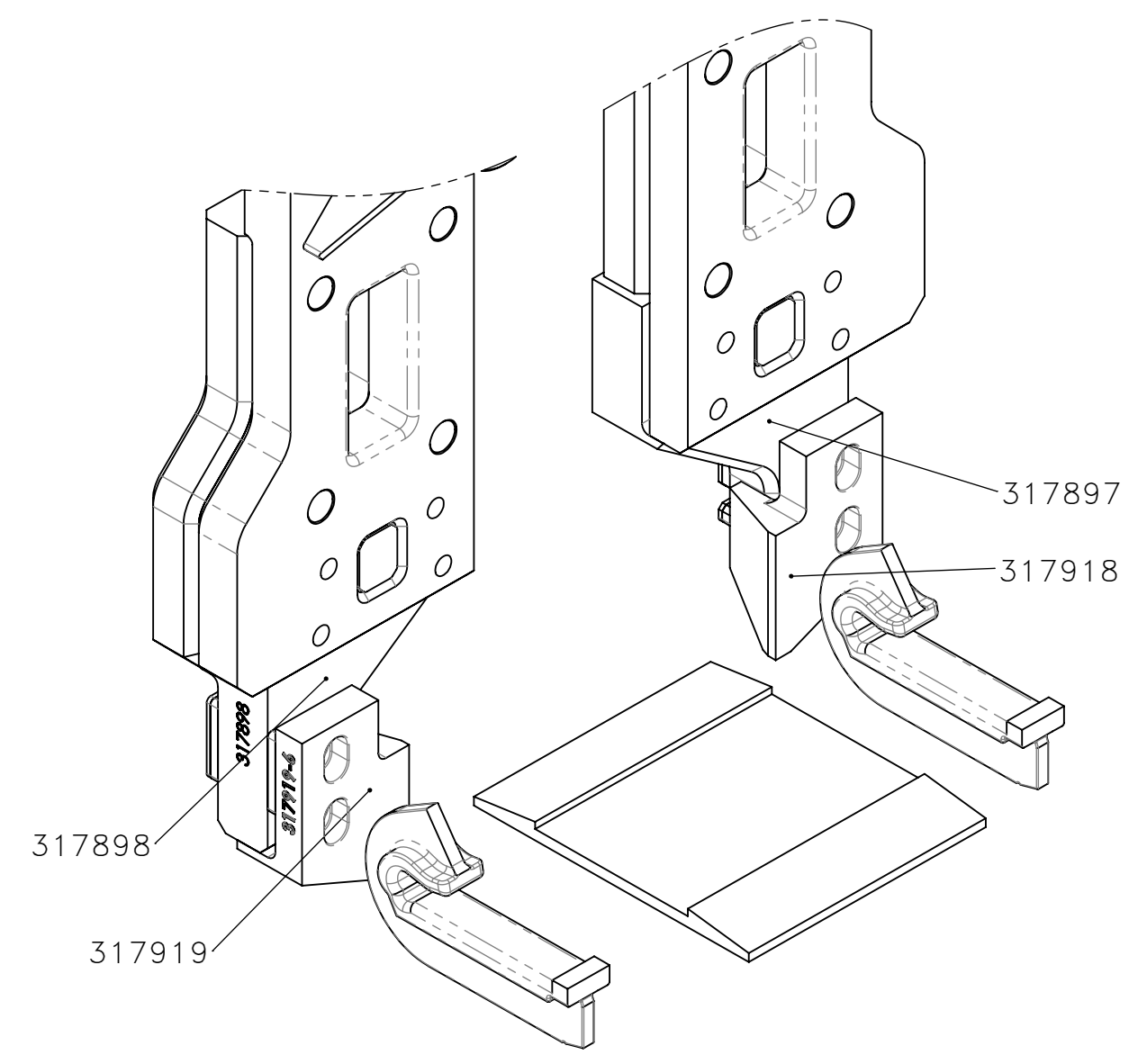
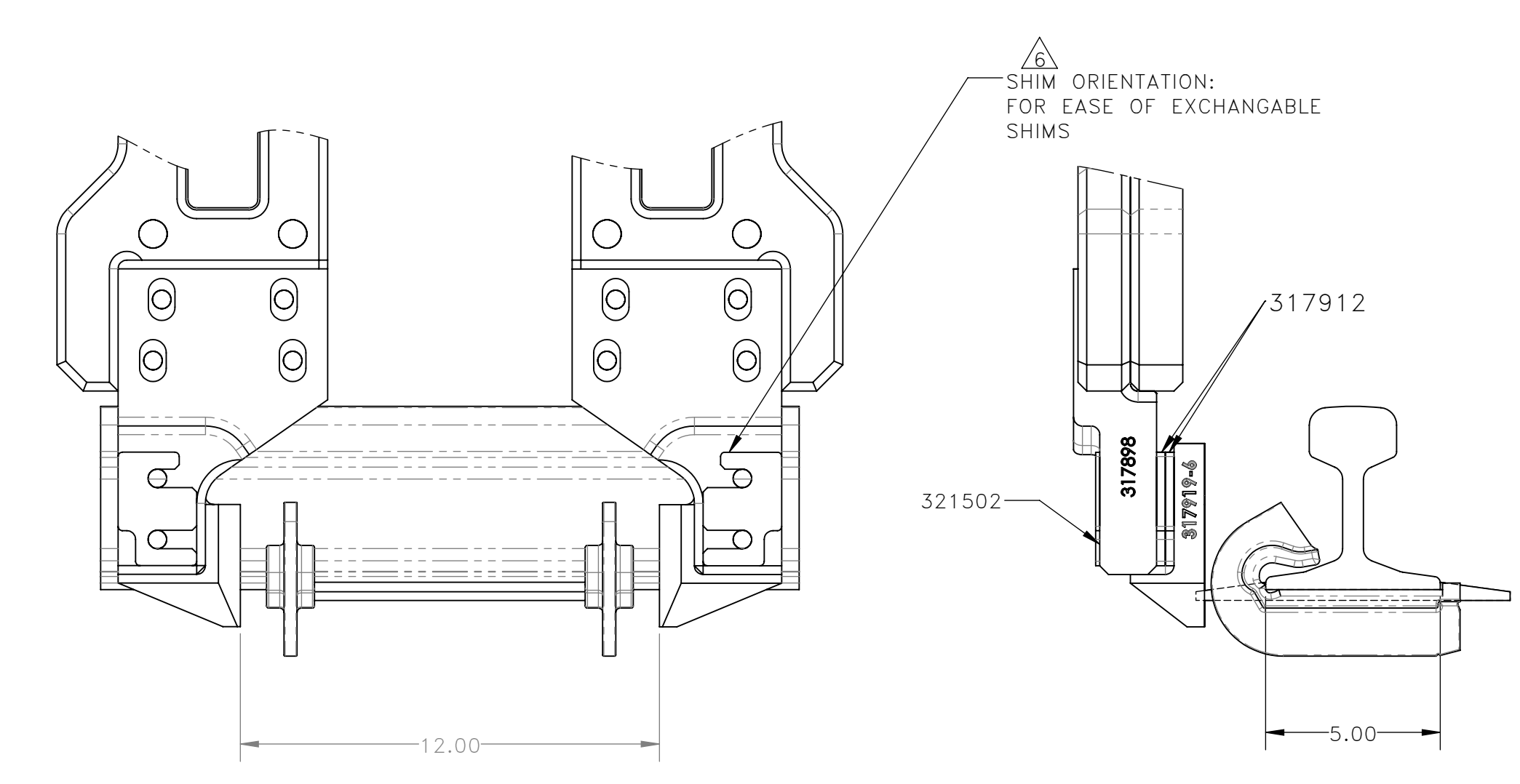
USED ON	792980	SCALE	DATE
		1:12	08-28-17

DRN	MI	CHK	APP	JOB NO	SHEET
				RD140001	2 OF 3

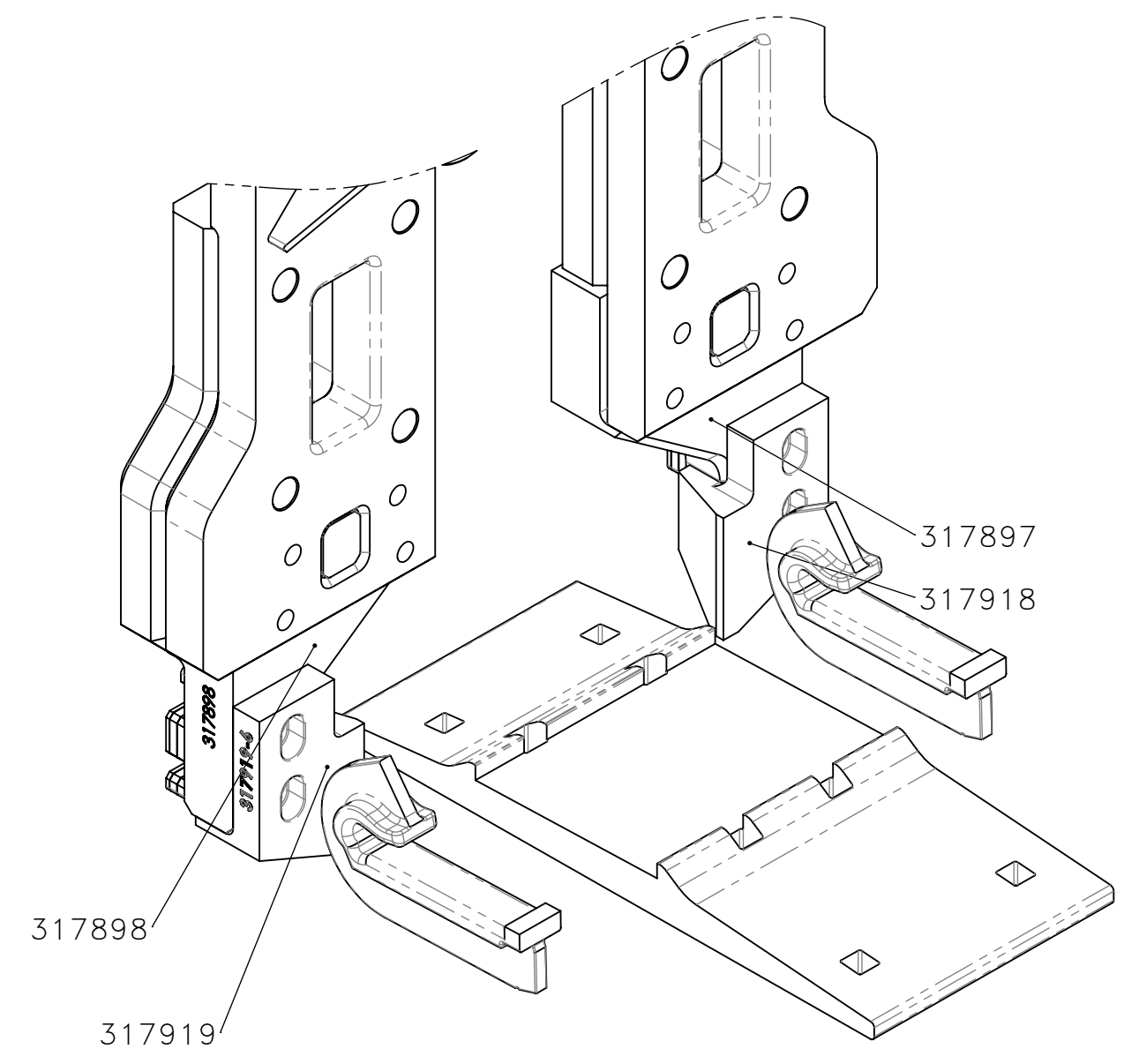
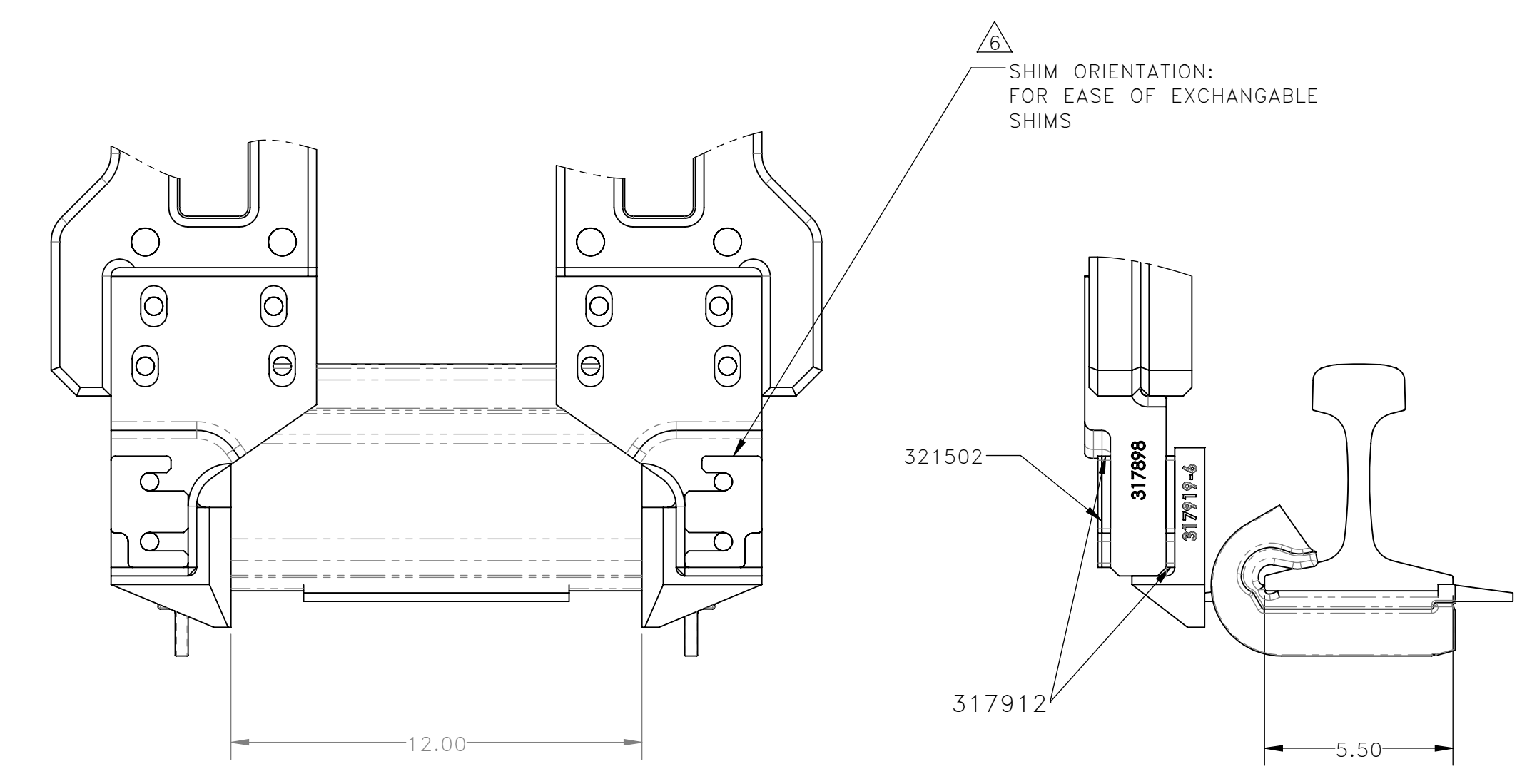
DWG SIZE	CATALOG	DWG NO
D	K	800258



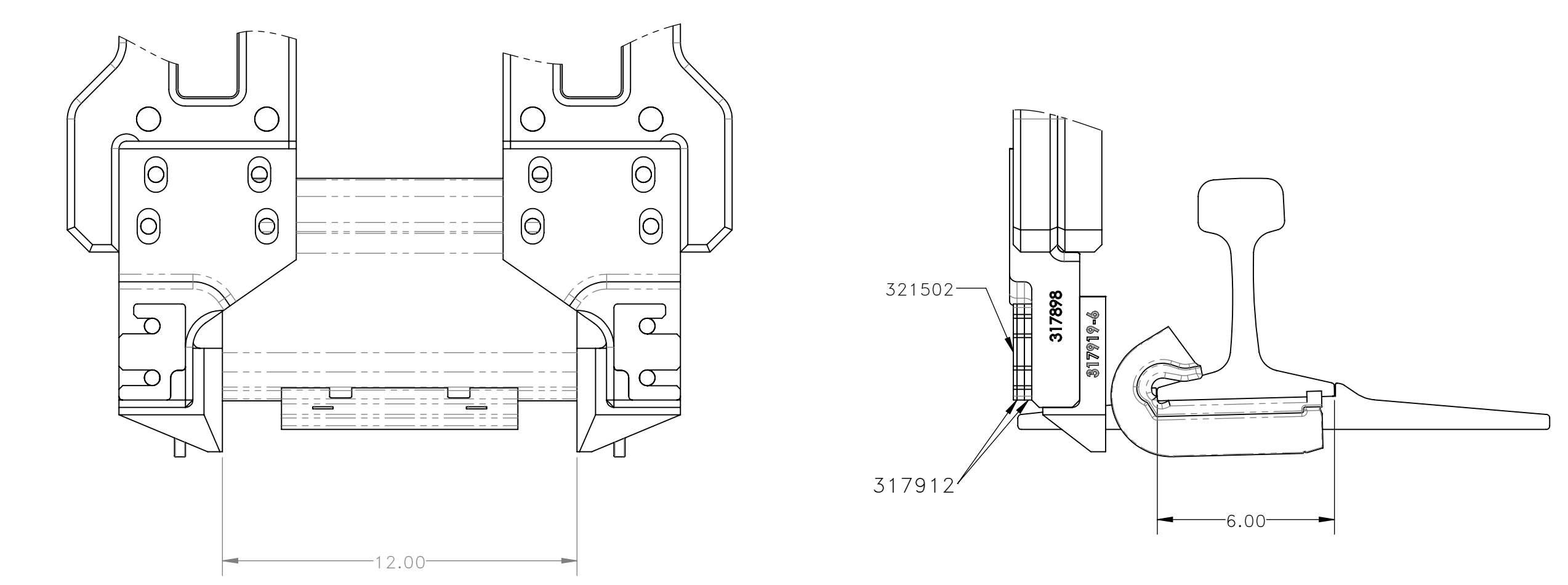
5" RAIL-SPREAD WITH PLATE



5.5" RAIL-SPREAD WITH PLATE



6" RAIL-SPREAD WITH PLATE



# ANCHOR SPREAD TOOLS

REV	EN	DESCRIPTION	DATE	DRN
1	2443	NEW RELEASE	8-17	MAI
2	2490	ADDED 16.50, 7.50, & 12.00 DIMENSIONS.	9-17	MAI
3	2756	ADDED NOTE	12-17	MAI
4	4672	REVISED NOTES SHEET 1	12-19	SAG
5	5043	UPDATE TOOLING PICTORIALLY	6-20	PR
6	5453	UPDATE SHIM ORIENTATION	12-20	PR

DIMENSION TOLERANCES UNLESS OTHERWISE SPECIFIED

LINEAR	.XX=±.03	.XXX=±.010
ANGULAR	X'=±1'	X.X'=±.5'

SURFACE FINISH 125/√ SMOOTH ALL SHARP EDGES NOT TO EXCEED CLEAN ALL WELDS

THIS PRINT AND ALL INFORMATION WITHIN BELONGS TO RACINE RAILROAD PRODUCTS

**RACINE RAILROAD PRODUCTS**  
RACINE, WISCONSIN USA

DESCRIPTION  
INSTRUCTIONS, DASP TOOLS

MATERIAL  
SEE BOM

USED ON	792980	SCALE	DATE
		1:12	08-28-17

DRN	MI	CHK	APP	JOB NO	SHEET
				RD140001	3 OF 3

DWG SIZE	CATALOG	DWG NO
D	K	800258