

# Service Bulletin

## Maintenance of Way Equipment

**Date:** 10.28.2019

**RRP Service Bulletin No:** RRP SB346

**Title:** Apply Workhead Lift Cylinder Valve Kit

**Rating:**

**ALERT**

(Potential Problem)

**INFORMATION**

(Action Is Optional)

**DIRECTIVE**

(Action Is Required)

**PRODUCT IMPROVEMENT**

(Enhance Product)

**Product Series:** Advance Anchomatic 915572

**Serial No:**

AAM-002-17	UPRR	AAA-1701
AAM-003-17	UPRR	AAA-1702
AAM-004	UPRR	AAA-1801
AAM-005	UPRR	AAA-1802
AAM-006	UPRR	AAA-1803
AAM-007	UPRR	AAA-1804

AAM-008	UPRR	AAA-1901
AAM-009	UPRR	AAA-1902
AAM-010	UPRR	AAA-1903
AAM-011	UPRR	AAA-1904
AAM-012	UPRR	AAA-1905
AAM-013	UPRR	AAA-1906

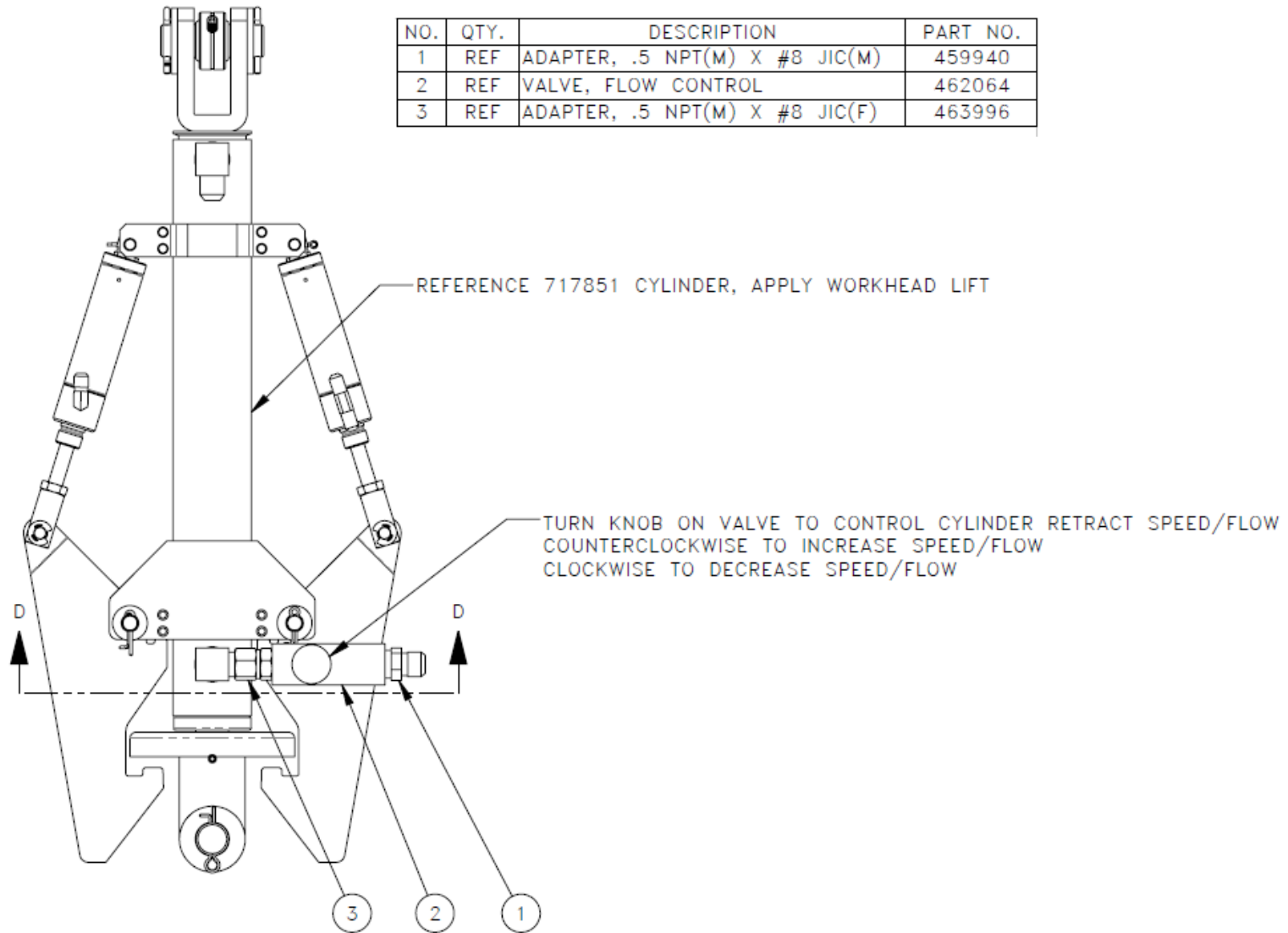
**Summary:** The lift cylinder flow control valve improves the ability to regulate the *Apply* head raise function. This reduces shock in the workhead when it fully raises.

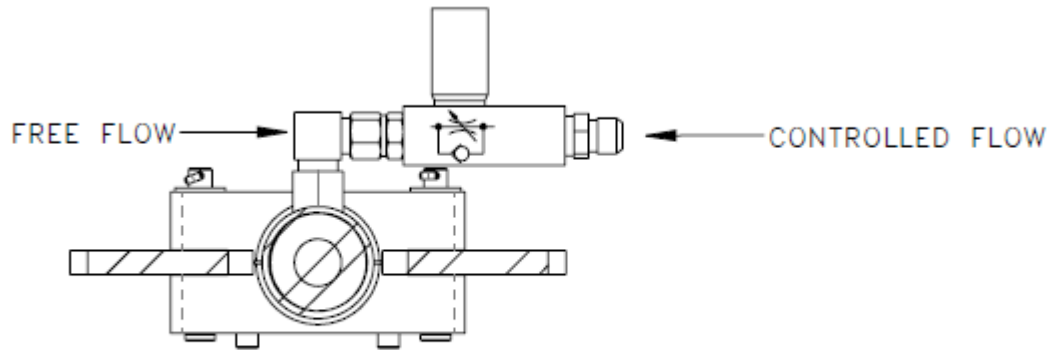
**Action:** Add/Install flow control valve to hydraulic lift cylinder assembly.

**Completion / Resolution:** Continue with normal machine operation after installing the workhead lift cylinder valve kit

# Instructions

NO.	QTY.	DESCRIPTION	PART NO.
1	REF	ADAPTER, .5 NPT(M) X #8 JIC(M)	459940
2	REF	VALVE, FLOW CONTROL	462064
3	REF	ADAPTER, .5 NPT(M) X #8 JIC(F)	463996





SECTION D-D

### Parts List

NO.	QTY.	DESCRIPTION	PART NO.
1	1	VALVE, FLOW CONTROL	462064
2	1	ADAPTER, .5 NPT(M) X #8 JIC(M)	459940
3	1	ADAPTER, .5 NPT(M) X #8 JIC(F)	463996
4	1	INSTRUCTIONS, 793063 APPLY WORKHEAD LIFT CYLINDER VALVE	800322

**Contact:** If you have any questions or we can be of any service, please contact the Racine Railroad Products service department at (262)-637-9681 or [custserv@racinerailroad.com](mailto:custserv@racinerailroad.com).

### Safety Terms



**DANGER** indicates a hazardous operating procedure, practice, or condition. If the hazardous situation is not avoided death or serious injury will occur.



**WARNING** indicates a hazardous operating procedure, practice, or condition. If the hazardous situation is not avoided death or serious injury could occur.



**CAUTION** indicates a potentially hazardous operating procedure, practice, or condition. If the hazardous situation is not moderate or minor injury could occur.

**Note:** Indicates an essential operating procedure, practice, or condition. No personal injury is possible.