

Service Bulletin

Maintenance of Way Equipment

Date: 10.28.2019

RRP Service Bulletin No: RRP SB347

Title: Apply Workhead Proximity Switch Kit

Rating:

ALERT

(Potential Problem)

INFORMATION

(Action Is Optional)

DIRECTIVE

(Action Is Required)

PRODUCT IMPROVEMENT

(Enhance Product)

Product Series: Advance Anchormatic 915572

Serial No:

AAM-002-17	UPRR	AAA-1701
AAM-003-17	UPRR	AAA-1702
AAM-004	UPRR	AAA-1801
AAM-005	UPRR	AAA-1802
AAM-006	UPRR	AAA-1803
AAM-007	UPRR	AAA-1804

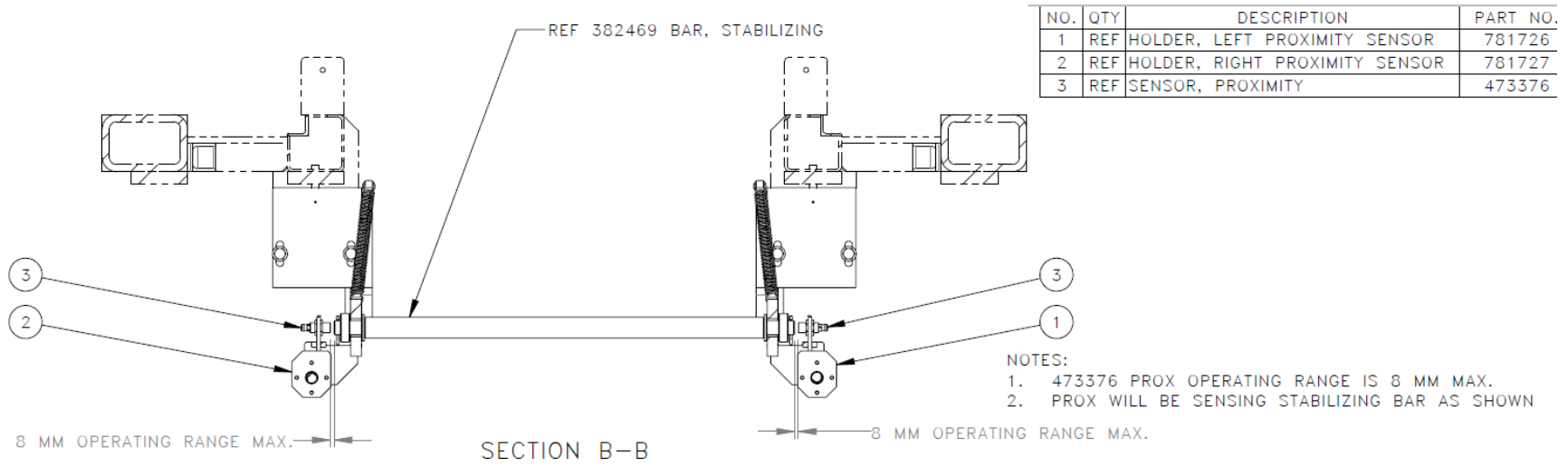
AAM-008	UPRR	AAA-1901
AAM-009	UPRR	AAA-1902
AAM-010	UPRR	AAA-1903
AAM-011	UPRR	AAA-1904
AAM-012	UPRR	AAA-1905
AAM-013	UPRR	AAA-1906

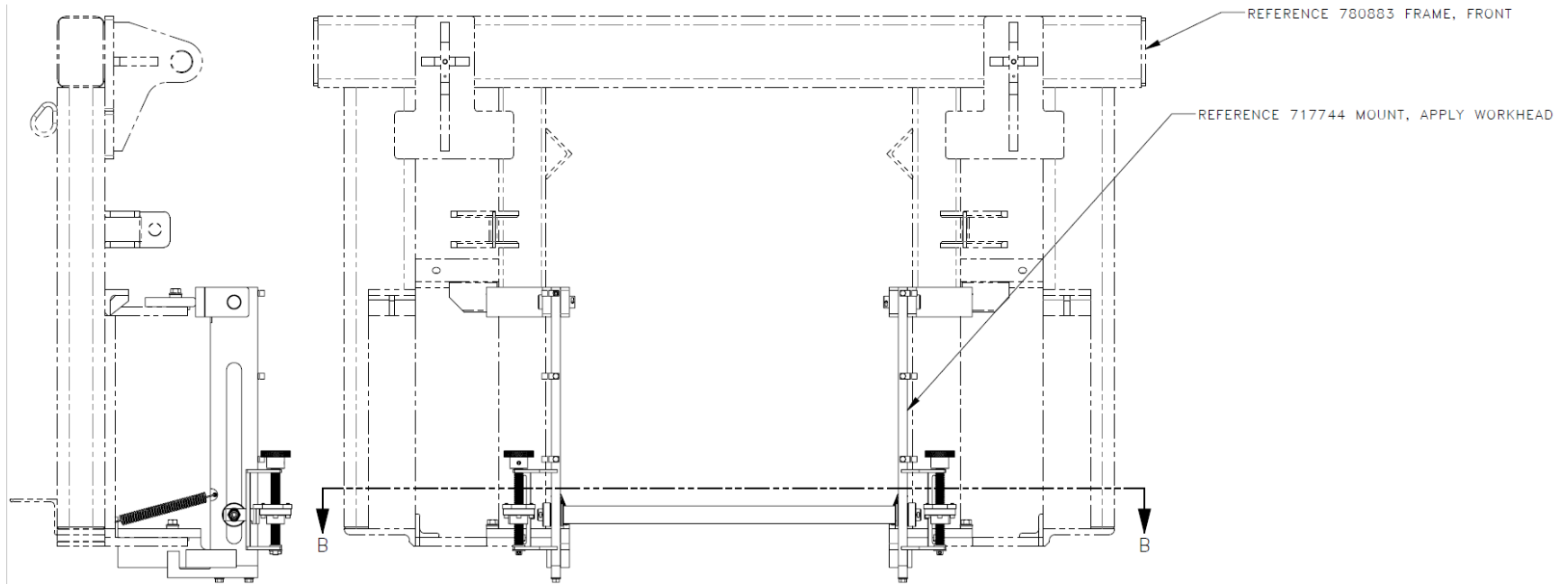
Summary: The revised proximity switch bracket allows the proximity switch to sense the flat end of the shaft, improving proximity switch detection reliability.

Action: Remove original proximity switch and bracket. Replace with revised bracket and new longer proximity switch.

Completion / Resolution: Continue with normal machine operation after installing the Workhead Proximity Switch.

Instructions





Parts List

NO.	QTY	DESCRIPTION	PART NO.
1	1	HOLDER, LEFT PROXIMITY SENSOR	781726
2	1	HOLDER, RIGHT PROXIMITY SENSOR	781727
3	2	SENSOR, PROXIMITY	473376
4	1	INSTRUCTIONS, 793064 APPLY WORKHEAD PROX MOUNT	800323

Contact: If you have any questions or we can be of any service, please contact the Racine Railroad Products service department at (262)-637-9681 or custserv@racinerailroad.com.

Safety Terms



DANGER indicates a hazardous operating procedure, practice, or condition. If the hazardous situation is not avoided death or serious injury will occur.



WARNING indicates a hazardous operating procedure, practice, or condition. If the hazardous situation is not avoided death or serious injury could occur.



CAUTION indicates a potentially hazardous operating procedure, practice, or condition. If the hazardous situation is not moderate or minor injury could occur.

Note: Indicates an essential operating procedure, practice, or condition. No personal injury is possible.