

Service Bulletin

Maintenance of Way Equipment

Date: 12.15.2020

RRP Service Bulletin No: RRP SB350

Title: Replace ATPI Lifting Plate (RRP Kit # 793070)

Rating:

ALERT

(Potential Problem)

INFORMATION

(Action Is Optional)

DIRECTIVE

(Action Is Required)

PRODUCT IMPROVEMENT

(Enhance Product)

Product Series: Advance Tie Plate Inserter [ATPI]

Serial No:

ATPI #	RRP #	Customer	Customer #
2017			
ATPI-002-17	915574	UPRR	RLPI-1701
ATPI-003-17	915574	UPRR	RLPI-1702
ATPI-004-17	915574	UPRR	RLPI-1703
ATPI-005-17	915574	UPRR	RLPI-1704
ATPI-006-17	915574	UPRR	RLPI-1705
ATPI-007-17	915574	UPRR	RLPI-1706
ATPI-008	933574	CP	5014-19

ATPI #	RRP #	Customer	Customer #
2018			
ATPI-009	935574	CN	438-61
ATPI-010	935574	CN	438-62
ATPI-011	915574	UPRR	RLPI-1801
ATPI-012	915574	UPRR	RLPI-1802
ATPI-013	915574	UPRR	RLPI-1803
ATPI-014	932574	BNSF	X3800191
ATPI-015	932574	BNSF	X3800192
ATPI-016	932574	BNSF	X3800193
ATPI-017	932574	BNSF	X3800194

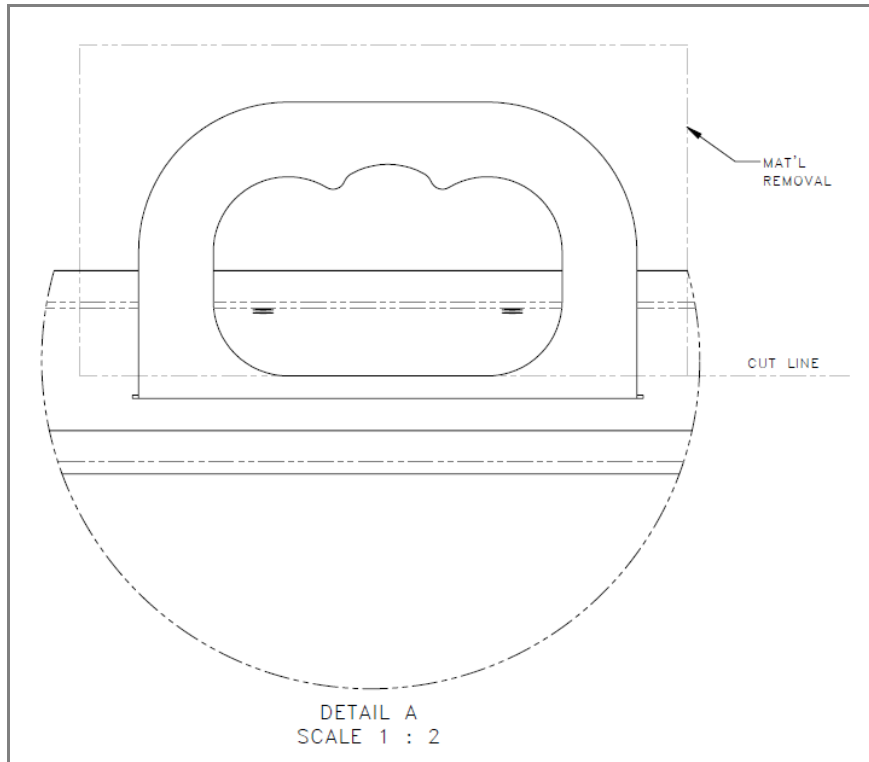
Summary: The lift plate must be replaced to provide an additional safety factor.

Action: Replace existing Lifting Plate with new Lifting Plate Kit RRP# 793070. See attached for instructions.

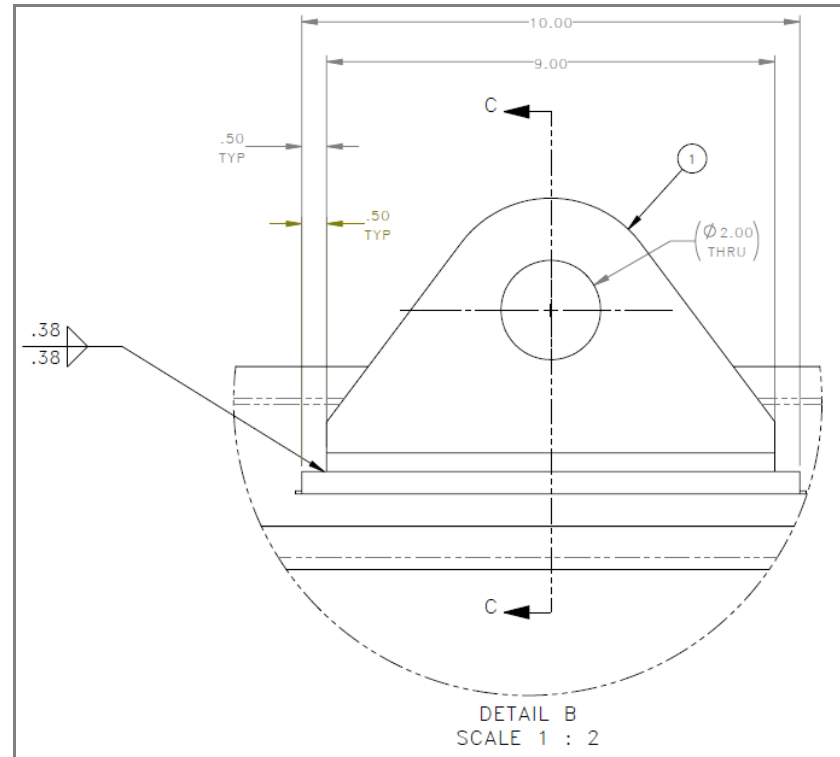
Completion / Resolution: Continue with normal machine operation after replacing the lift plate.

Note: Racine Railroad Product highly recommend the use of *an AWS qualified and certified welder* when installing the lift plate on the machine.

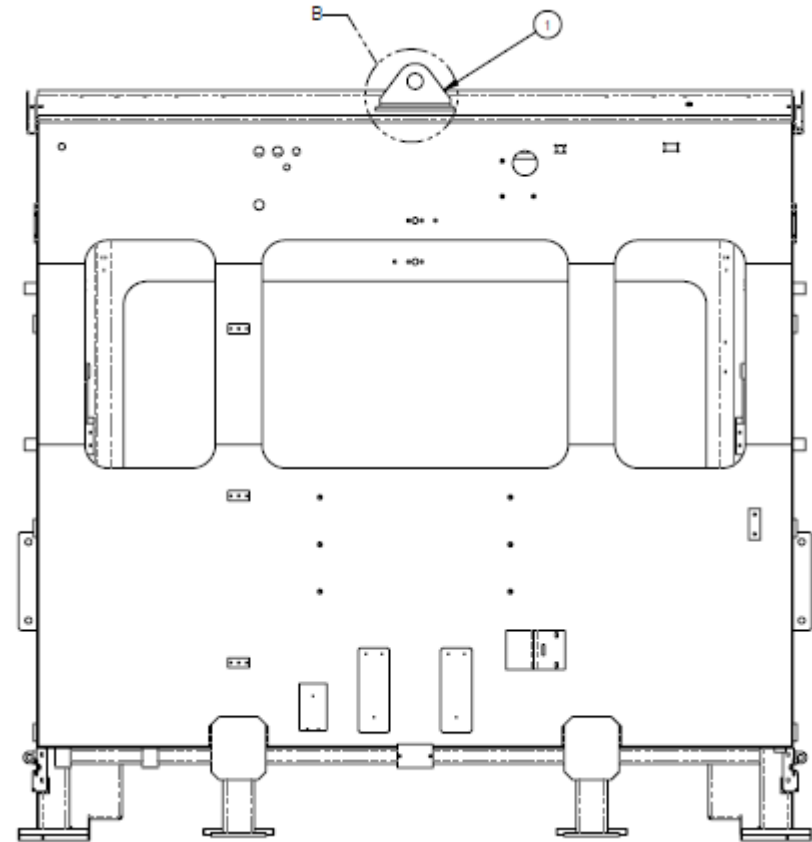
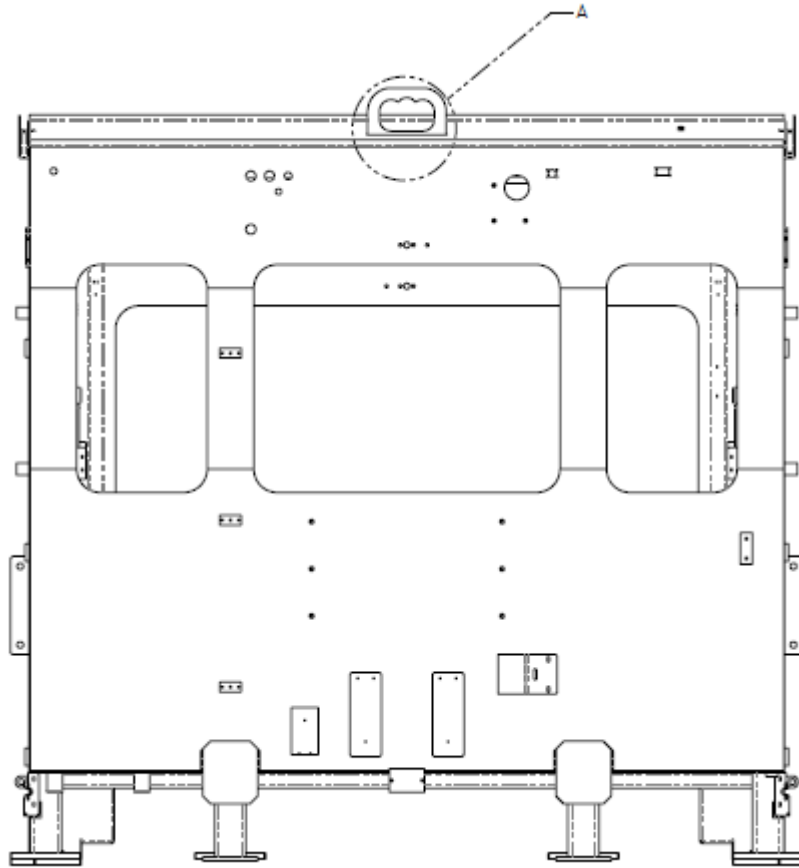
Contact **Steve Reis** at RRP [sries@racinerailroad.com] / (262) 898-2833] for billing cost of the AWS qualified and certified welder.

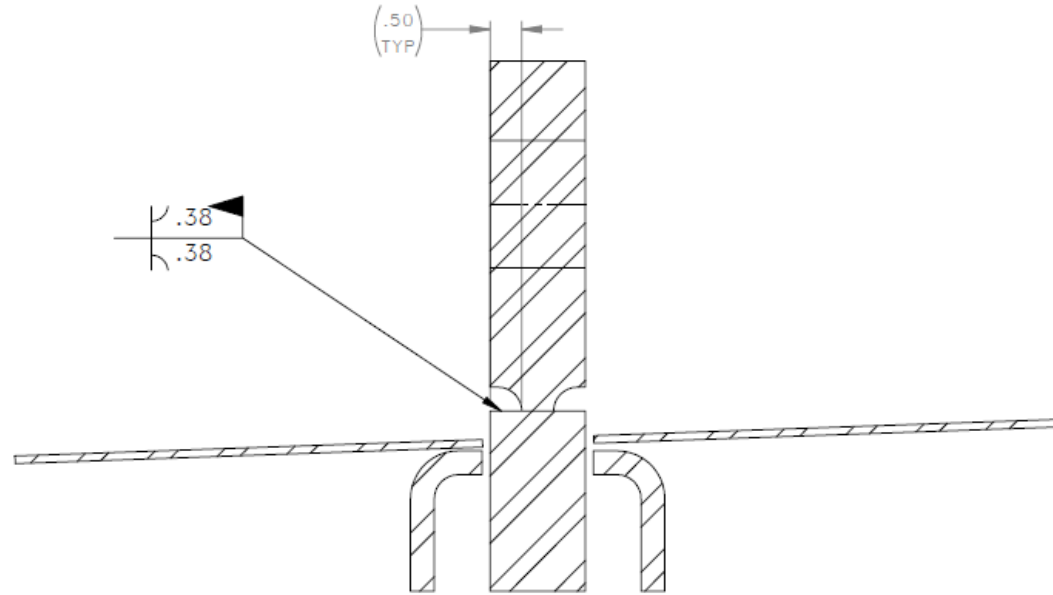


Remove Existing Lift Plate



Install RRP# 320813 Lift Plate





SECTION C-C
SCALE 1 : 2