
Service Bulletin

Maintenance of Way Equipment

Date: 11.20.2020

RRP Service Bulletin No: RRP SB356

Title:

Rating:

ALERT
(Potential Problem)

INFORMATION
(Action Is Optional)

DIRECTIVE
(Action Is Required)

PRODUCT IMPROVEMENT
(Enhance Product)

Product Series: Advance Tie Plate Inserter [ATPI]

Serial No: 945588 ATPI-020 (CN43863)
945588 ATPI-021 (CN43864)

Summary:

APTI units have defective handrails. Use Service Kit 793094 to replace handrails.

Action:

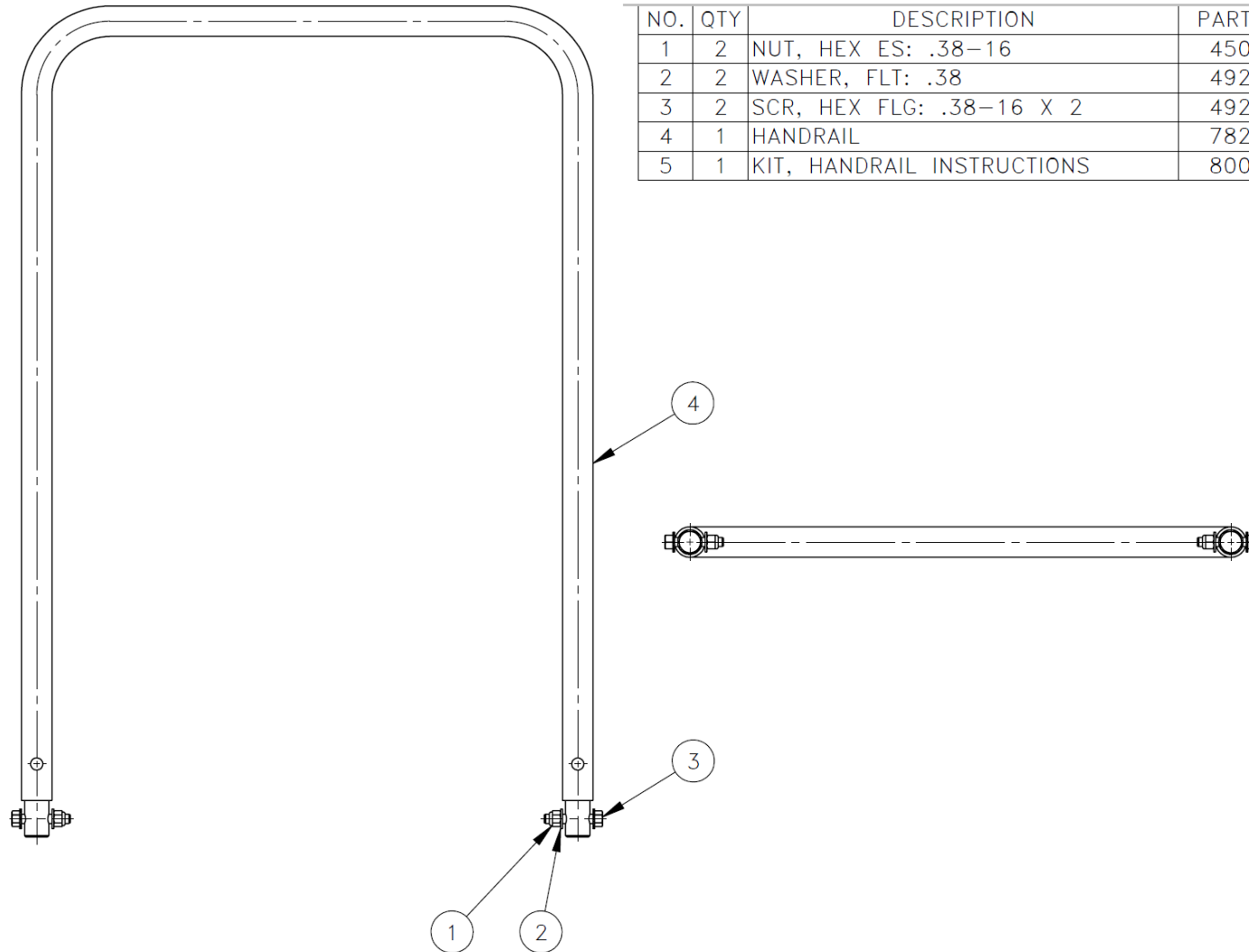
Replace Handrail with RRP Kit # 793094

Completion / Resolution:

Continue with normal machine operation after replacing the handrails.

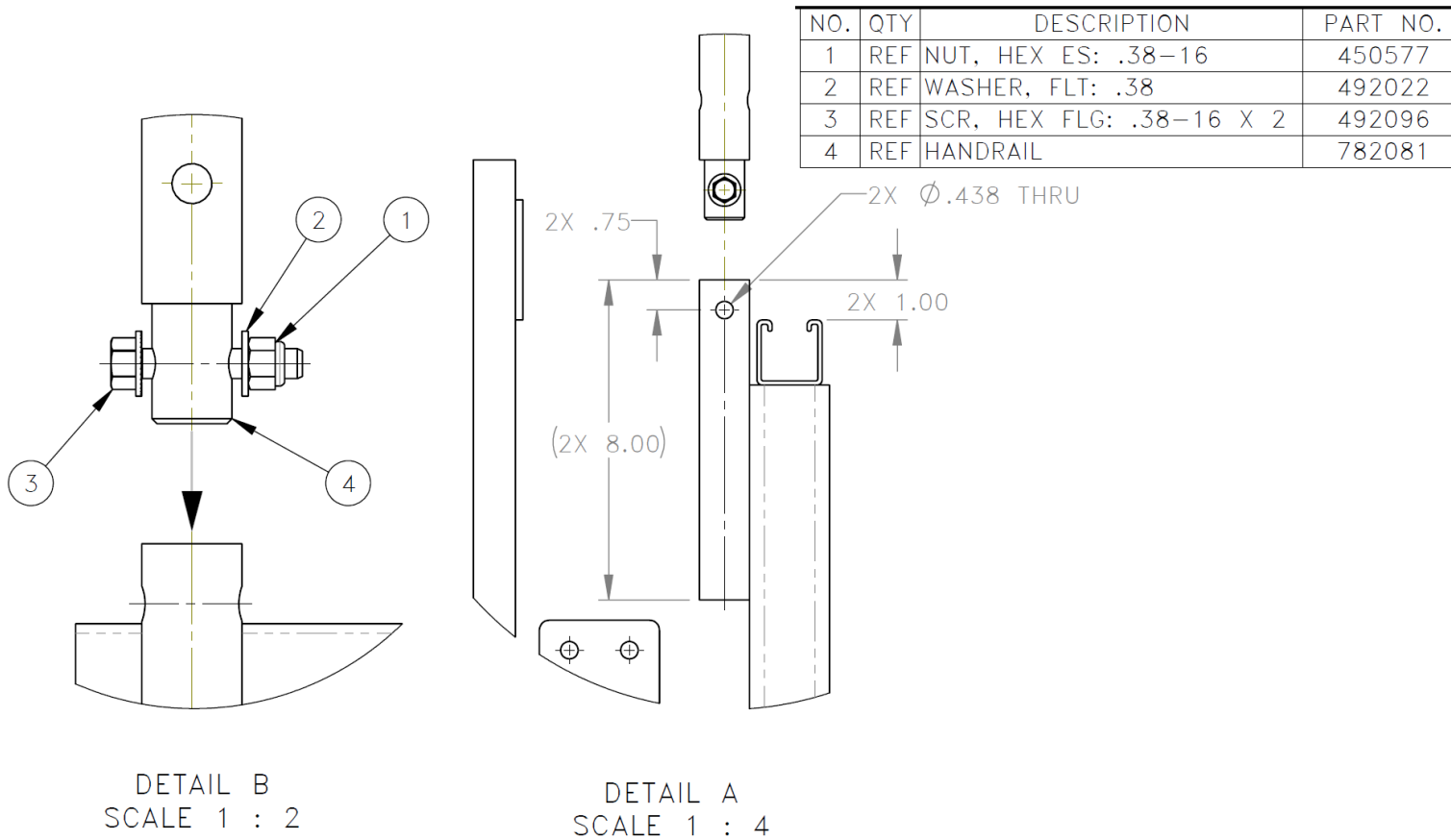
793094 Handrail Kit

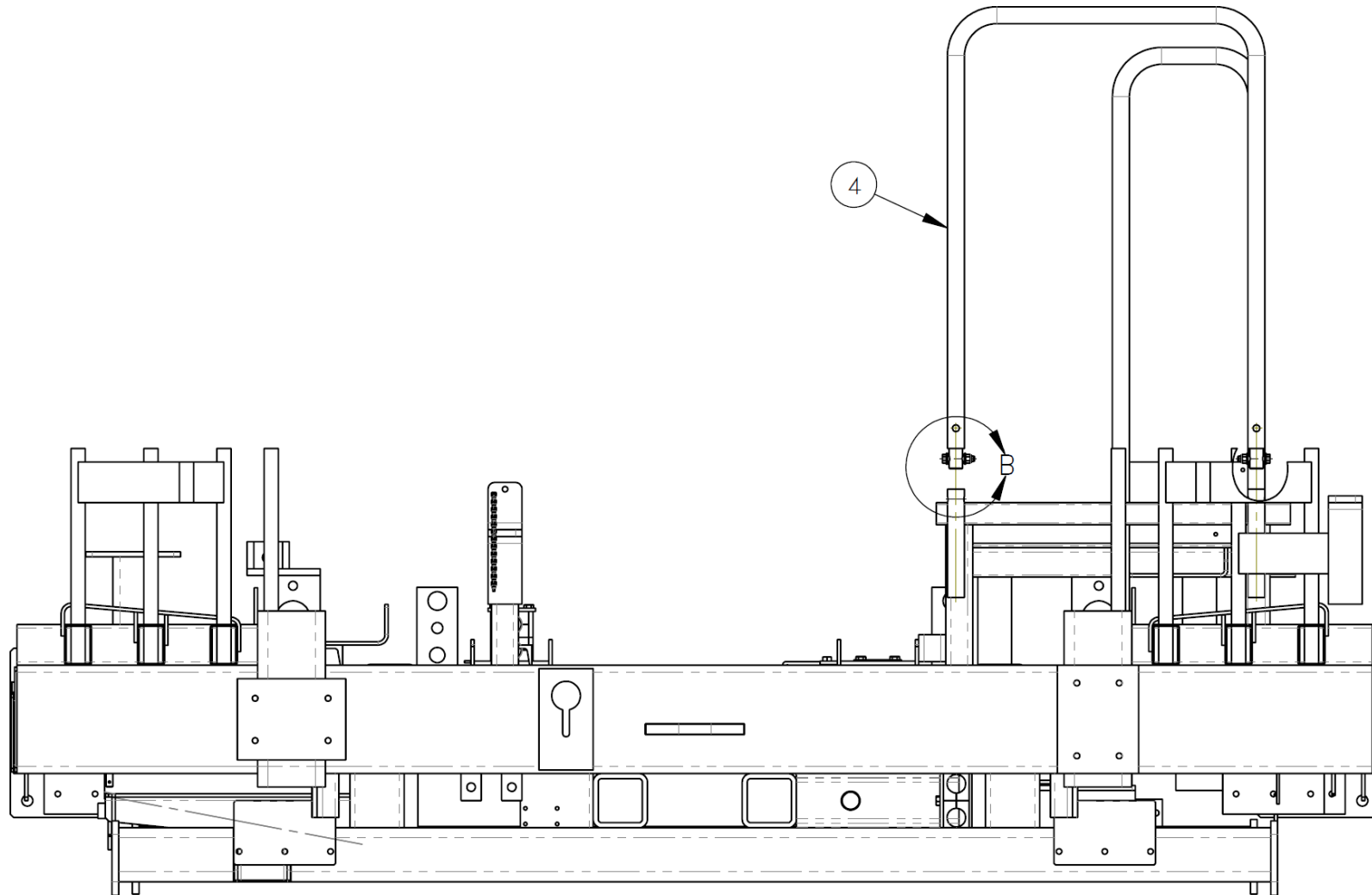
NO.	QTY	DESCRIPTION	PART NO.
1	2	NUT, HEX ES: .38-16	450577
2	2	WASHER, FLT: .38	492022
3	2	SCR, HEX FLG: .38-16 X 2	492096
4	1	HANDRAIL	782081
5	1	KIT, HANDRAIL INSTRUCTIONS	800338

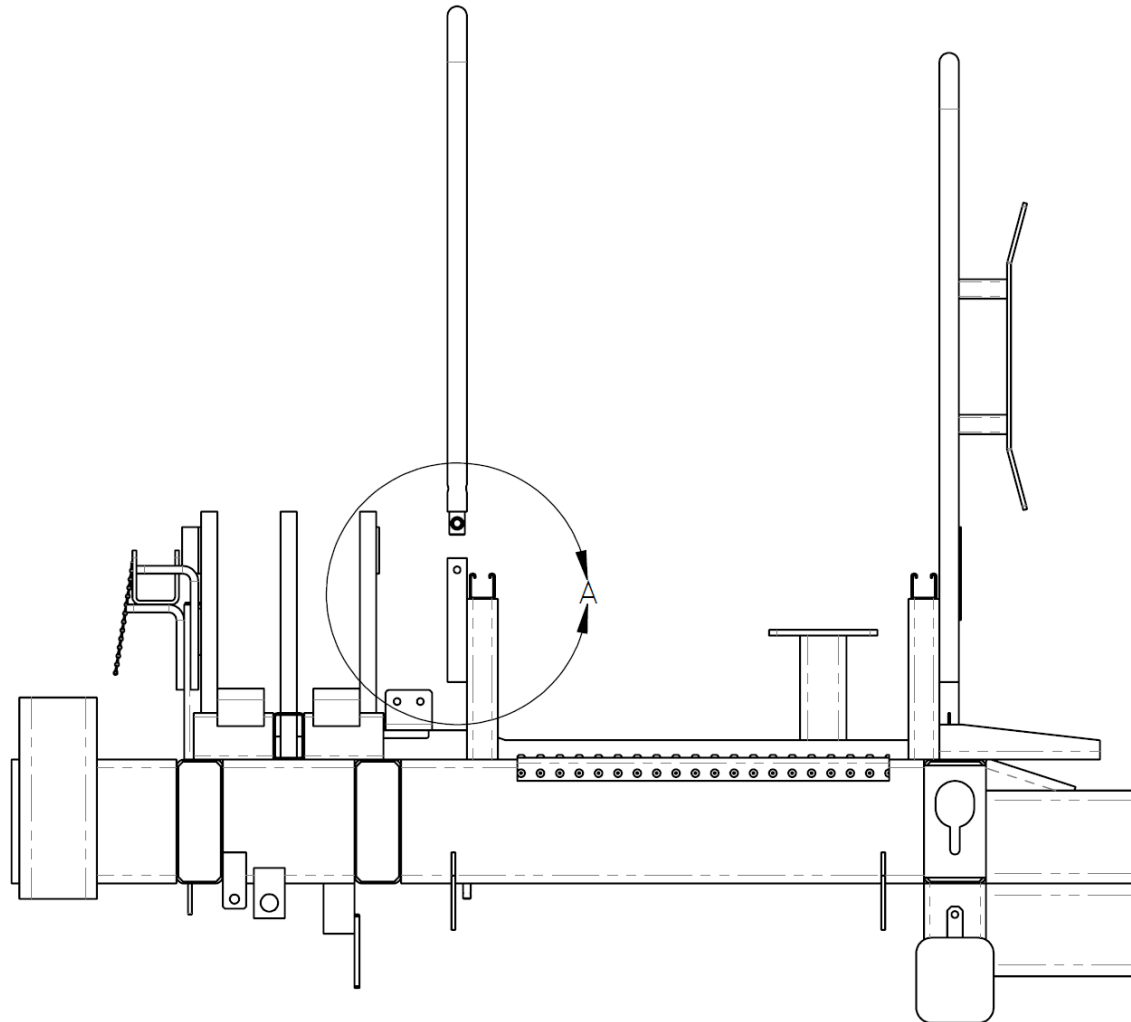


Instructions:

1. Cut off original handrail. See Detail A
2. Drill $\varnothing.438$ holes thru both tubes. See Detail A
3. Insert handrail into cut off tubes.
4. Install and tighten bolts, washers and nuts as shown on Detail B.







ontact: If you have any questions or we can be of any service, please contact the Racine Railroad Products Service Department at (262)-637-9681 or fieldservice@racinerailroad.com.

Safety Terms



DANGER indicates a hazardous operating procedure, practice, or condition. If the hazardous situation is not avoided death or serious injury will occur.



WARNING indicates a hazardous operating procedure, practice, or condition. If the hazardous situation is not avoided death or serious injury could occur.



CAUTION indicates a potentially hazardous operating procedure, practice, or condition. If the hazardous situation is not moderate or minor injury could occur.

Note: Indicates an essential operating procedure, practice, or condition. No personal injury is possible.