

Service Bulletin

Maintenance of Way Equipment

Date: 5.18.2022

RRP Service Bulletin No: RRP SB379

Title: Cummins Engine Placard – Checking Engine Start RRP# 476530

Rating:



ALERT
 (Potential Problem)



INFORMATION
 (Action Is Optional)



DIRECTIVE
 (Action Is Required)



PRODUCT IMPROVEMENT
 (Enhance Product)

Product Series: Advanced Tie Plate Inserter [ATPI]

Serial No:

Advanced Tie Plate Inserter [ATPI]

ATPI-019	935588	CN-W	CN43865
ATPI-020	935588	CN-W	CN43866
ATPI-021	945588	CN-S	CN43863
ATPI-022	945588	CN-S	CN43864
ATPI-030	935588	CN-W	CN43867
ATPI-031	935588	CN-W	CN43868
APTI-042	935588	CN	CN43869
ATPI-043	935588	CN	CN43870
APTI-051	945588	CN-S	CN 43871
APTI-052	945588	CN-S	CN 43872

ATPI-034	932587	RELAM
ATPI-041	932587	RELAM
APTI-044	932587	RELAM

APTI-045	932587	BNSF	X3800196
APTI-046	932587	BNSF	X3800197
APTI-047	932587	BNSF	X3800198
APTI-048	932587	BNSF	X3800199
APTI-049	932587	BNSF	X3800200
APTI-050	932587	BNSF	X3800195

Dual Clip Applicator [DCA]

DCA-165	944585	WMATA	EC01
DCA-166	944585	WMATA	EC02
DCA-167	944585	WMATA	EC03
DCA-168	944585	WMATA	EC04

Dual Anchor Spreader Plate

DASP-284	935582	CN-W	CN64094
DASP-285	935582	CN-W	CN64095
DASP-286	935582	CN-W	CN64096
DASP-287	935582	CN-W	CN64097
DASP-288	955582	CN-S	CN64090
DASP-289	945582	CN-S	CN64091
DASP-290	945582	CN-E	CN64086
DASP-291	955582	CN-E	CN64087

DASP-292	945582	CN-S	CN64088
DASP-293	945582	CN-S	CN64089
DASP-294	935582	CN-W	CN64092
DASP-295	935582	CN-W	CN64093
DASP-296	945582	CN-S	CN64098

Summary: RRP# 476530 Cummins *Check Engine Start* placard is available to apply to the Cummins engine cover.

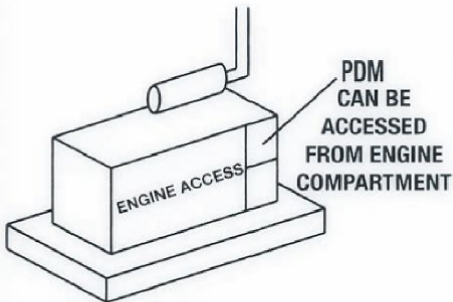
Action: Adhere the RRP# 476530 placard to the engine exterior along other engine informational placards.

Completion / Resolution: Continue with normal machine operation after adhering the RRP# 476530 engine placard.

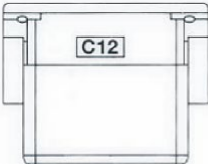
INFORMATION

**IF ENGINE DOES NOT START
CHECK FOR BLOWN FUSE(S).**

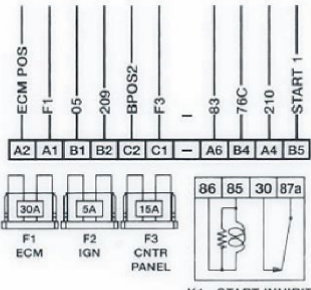
**IF A BLOWN FUSE IS FOUND
REFER TO A CUMMINS®
AUTHORIZED REPAIR LOCATION OR
EQUIPMENT MANUFACTURER**



PDM
CAN BE
ACCESSED
FROM ENGINE
COMPARTMENT



**PDM - POWER
DISTRIBUTION
MODULE**



F1 ECM F2 IGN F3 CNTR PANEL K1 - START INHIBIT

ECM POS F1 05 208 BPOS2 F3 - 83 76C 210 START 1

A2 A1 B1 B2 C2 C1 - A6 B4 A4 B5 30A 5A 15A 86 85 30 87a

LABEL PART NUMBER: A068H731