

Service Bulletin

Maintenance of Way Equipment

Date: 5.24.2022

RRP Service Bulletin No: RRP SB382

Title: Retrofit existing 3G modem machines with 4G modems

Rating:



ALERT
 (Potential Problem)



INFORMATION
 (Action Is Optional)



DIRECTIVE
 (Action Is Required)



PRODUCT IMPROVEMENT
 (Enhance Product)

Product Series: Advanced Tie Plate Inserter [ATPI]

Serial Numbers:

ATPI-002-17	915574	UPRR	RLPI-1701
ATPI-003-17	915574	UPRR	RLPI-1702
ATPI-004-17	915574	UPRR	RLPI-1703
ATPI-005-17	915574	UPRR	RLPI-1704
ATPI-006-17	915574	UPRR	RLPI-1705
ATPI-007-17	915574	UPRR	RLPI-1706
ATPI-011	915574	UPRR	RLPI-1801
ATPI-012	915574	UPRR	RLPI-1802
ATPI-013	915574	UPRR	RLPI-1803

Summary: AT&T will discontinue to provide the cellular 3G service to the 3G modems installed on our equipment and will no longer be usable after February 2022. discontinued.

Action: Use RRP Kit # 793132 to upgrade to 4G modem. Refer to attached RRP Kit # 793132 and instructions RRP# 800378.

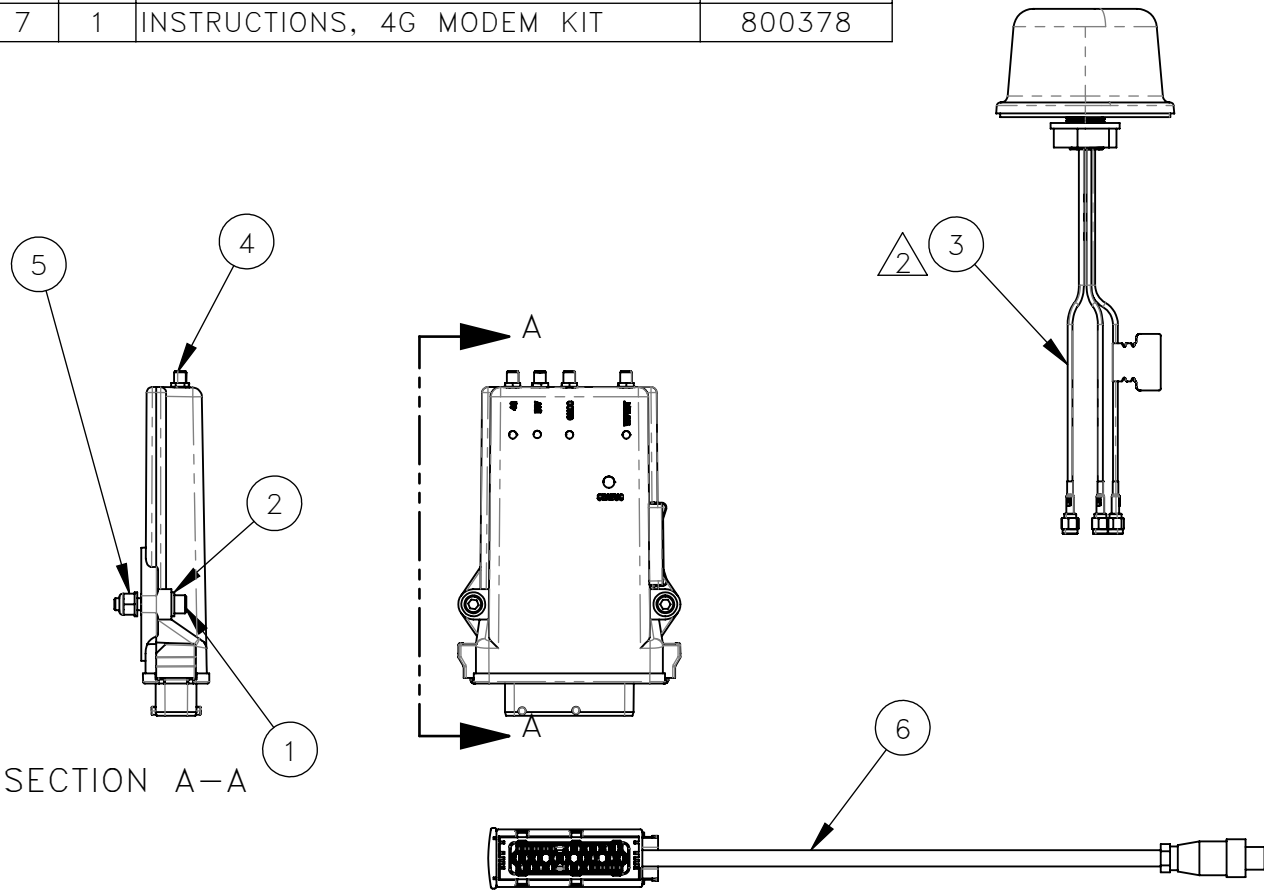
MUST CONTACT RRP TO SCHEDULE A PROGRAM UPDATE TO COMPLETE INSTALL.

Completion / Resolution: Continue with normal machine operation after installing and updating the 4G modem.

If you have any questions or we can be of any service, please contact the Racine Railroad Products Service Department at (262)-637-9681 or fieldservice@racinerailroad.com.

NO.	QTY	DESCRIPTION	PART NO.
1	2	SCR, SOC: .25-20 X 1.25	400779
2	4	WASHER, FLT: .25	408686
3	1	ANTENNA, TELEMATICS	475251
4	1	MODEM, TELEMATICS	475252
5	2	NUT, HEX ES: .25-20	491232
6	1	WIRE HARNESS, MODEM	720205
7	1	INSTRUCTIONS, 4G MODEM KIT	800378

DWG NO
793132



SECTION A-A

USED ON:
COMBO:
913568 913569
913570 914570
931568 931569
931571 933568
933569
ATPI:
932574 933574
935574

REV	EN	DESCRIPTION	DATE	DRN
1	6045	NEW RELEASE	1-22	PR
2	6148	UPDATE 475251- MANUFACTURER CHANGED ANTENNA	2-22	PR

DIMENSION TOLERANCES UNLESS OTHERWISE SPECIFIED

LINEAR	.XX=±.03	.XXX=±.010
ANGULAR	X°=±1°	X.X°=±.5°

SURFACE FINISH 125/ SMOOTH ALL SHARP EDGES
NOT TO EXCEED ✓ CLEAN ALL WELDS

THIS PRINT AND ALL INFORMATION WITHIN
BELONGS TO RACINE RAILROAD PRODUCTS

RACINE RAILROAD PRODUCTS
RACINE, WISCONSIN USA

DESCRIPTION
KIT, 4G MODEM

MATERIAL
SEE BOM

USED ON	SCALE	DATE
SEE NOTE	1:4	12-21-21

DRN	CHK	APP	JOB NO	SHEET
PR			RD140001	1 OF 1

DWG SIZE	CATALOG	DWG NO
A	K	793132

NO.	QTY	DESCRIPTION	PART NO.
1	REF	SCR, SOC: .25-20 X 1.25	400779
2	REF	WASHER, FLT: .25	408686
3	REF	ANTENNA, TELEMATICS	475251
4	REF	MODEM, TELEMATICS	475252
5	REF	NUT, HEX ES: .25-20	491232
6	REF	WIRE HARNESS, MODEM	720205

THESE INSTRUCTIONS ARE FOR KIT 793132

REMOVAL:

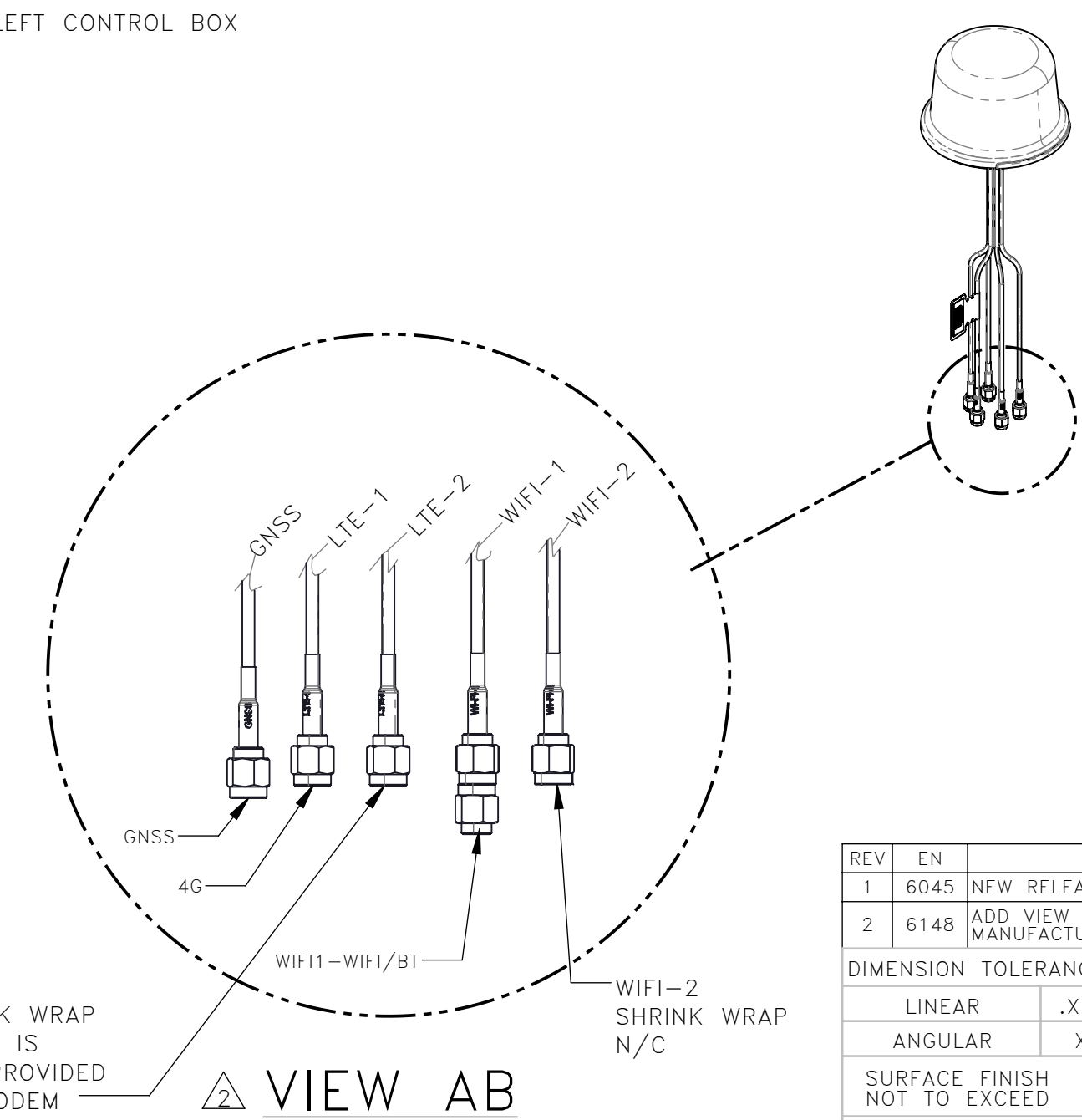
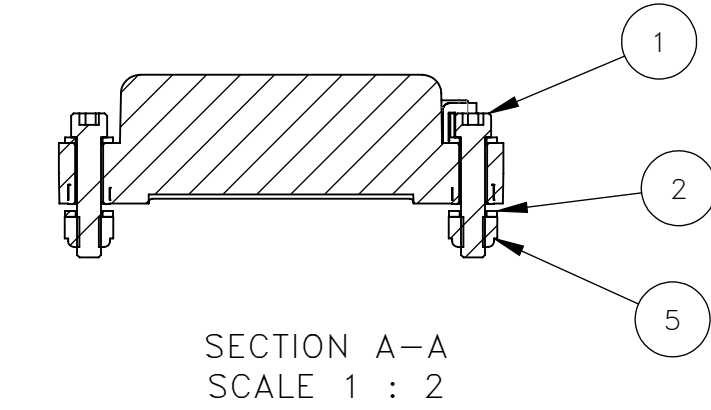
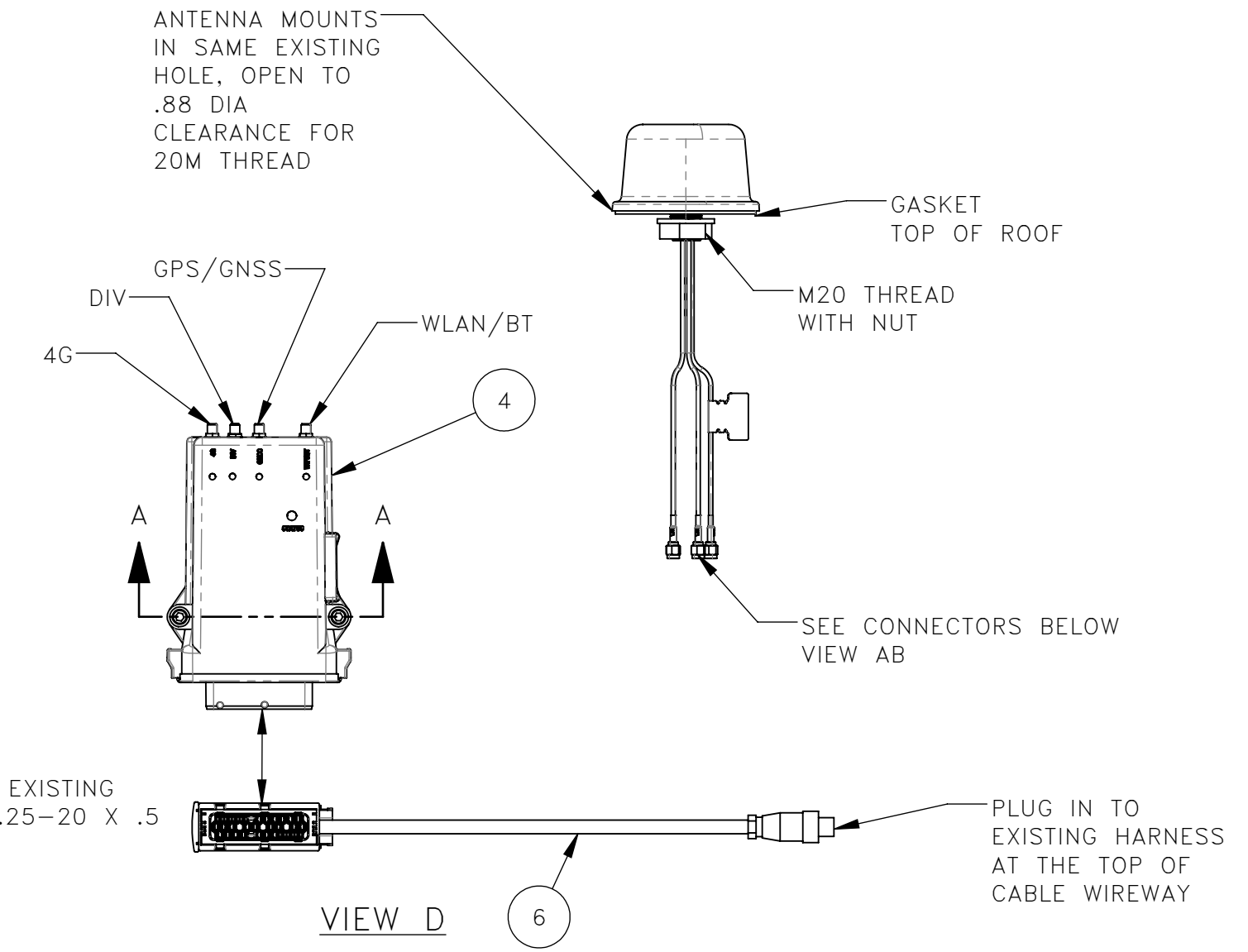
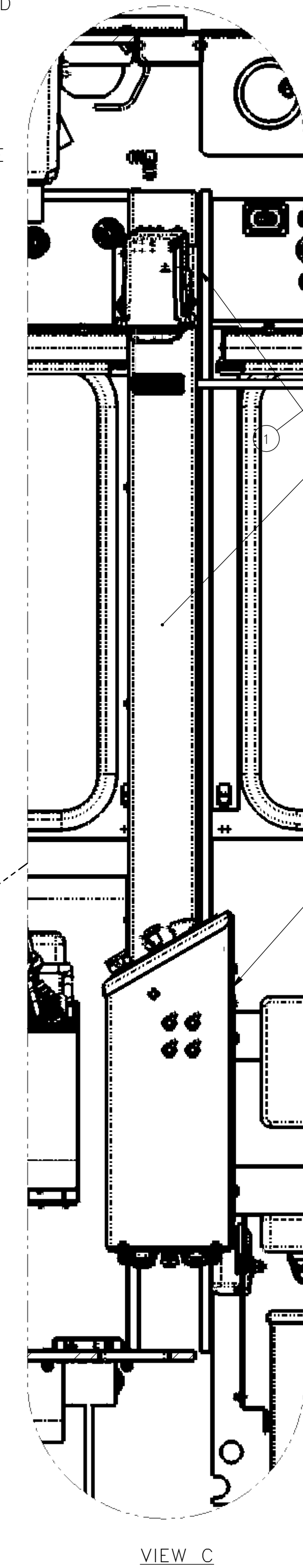
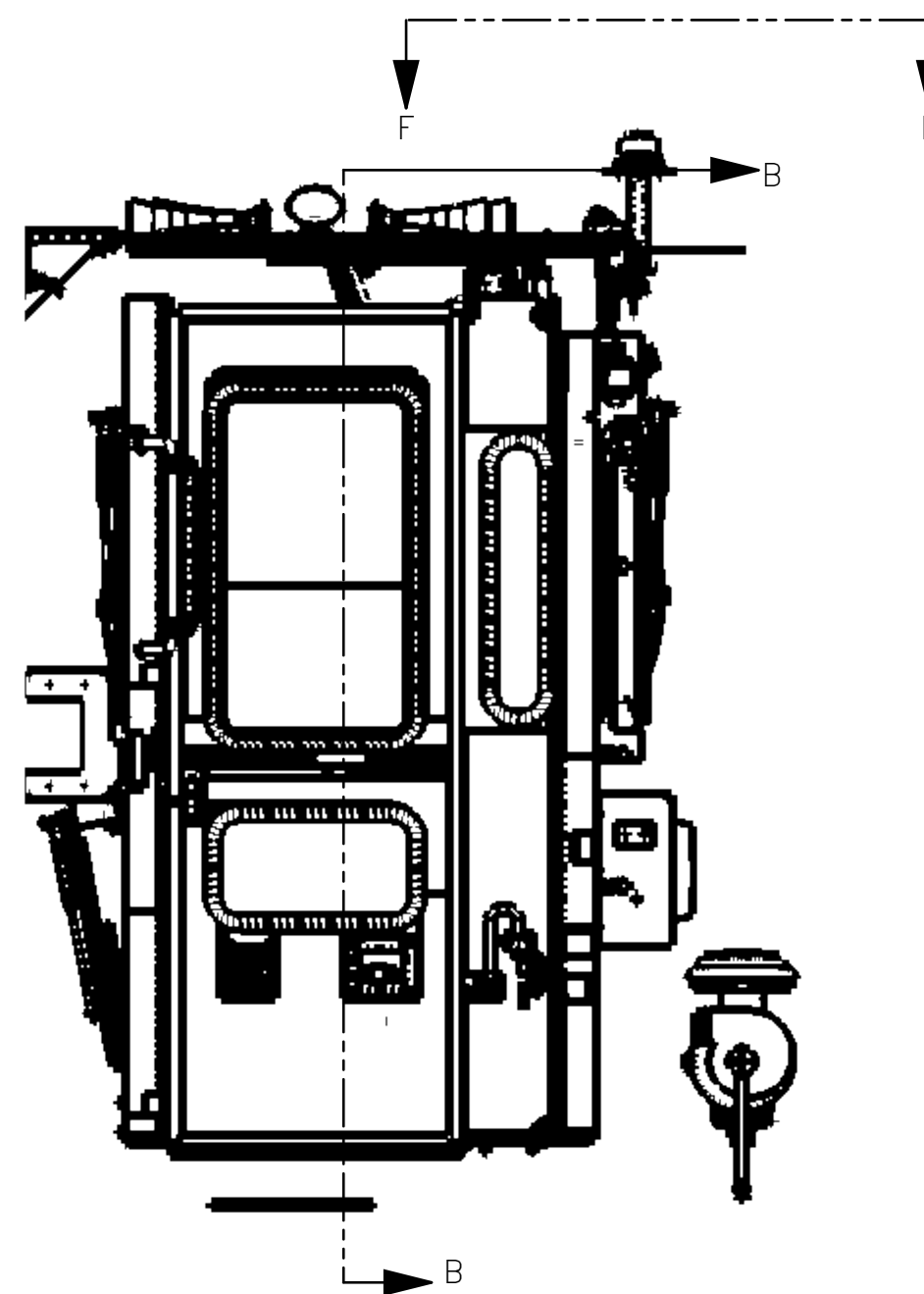
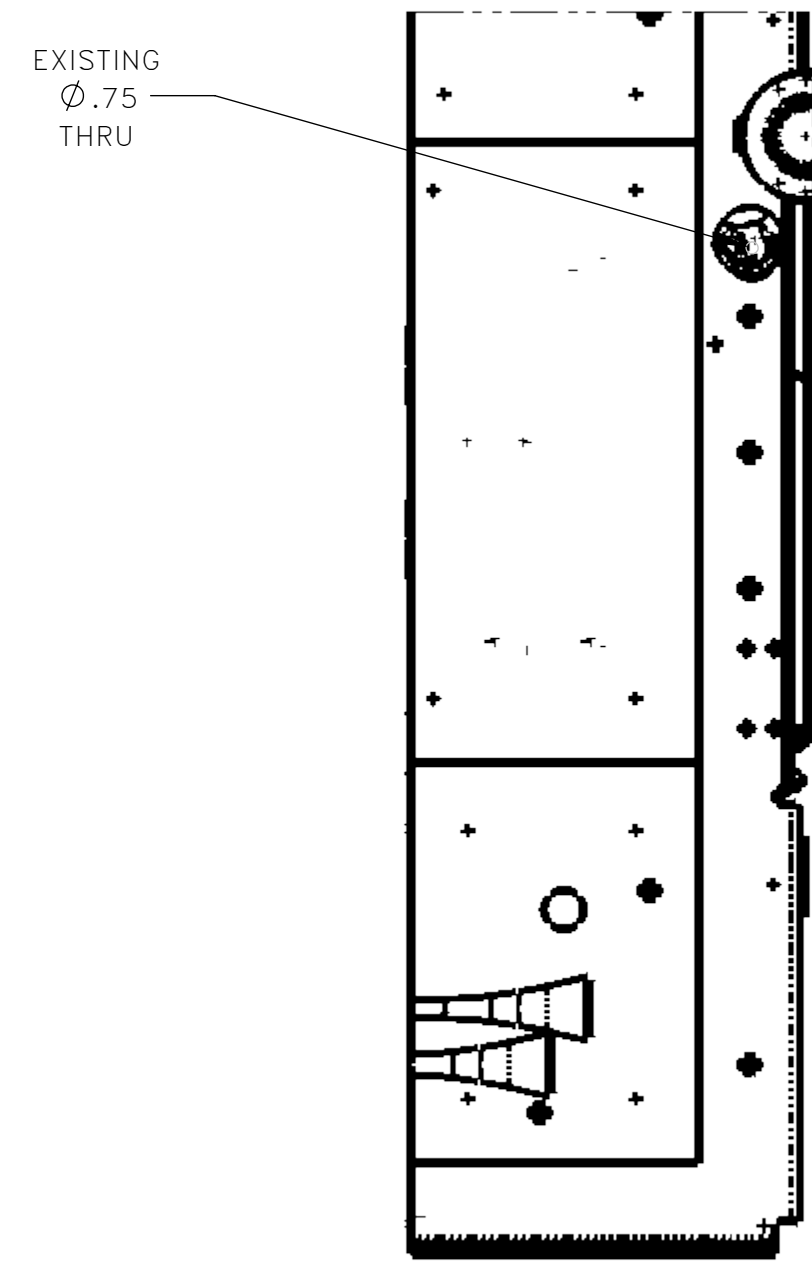
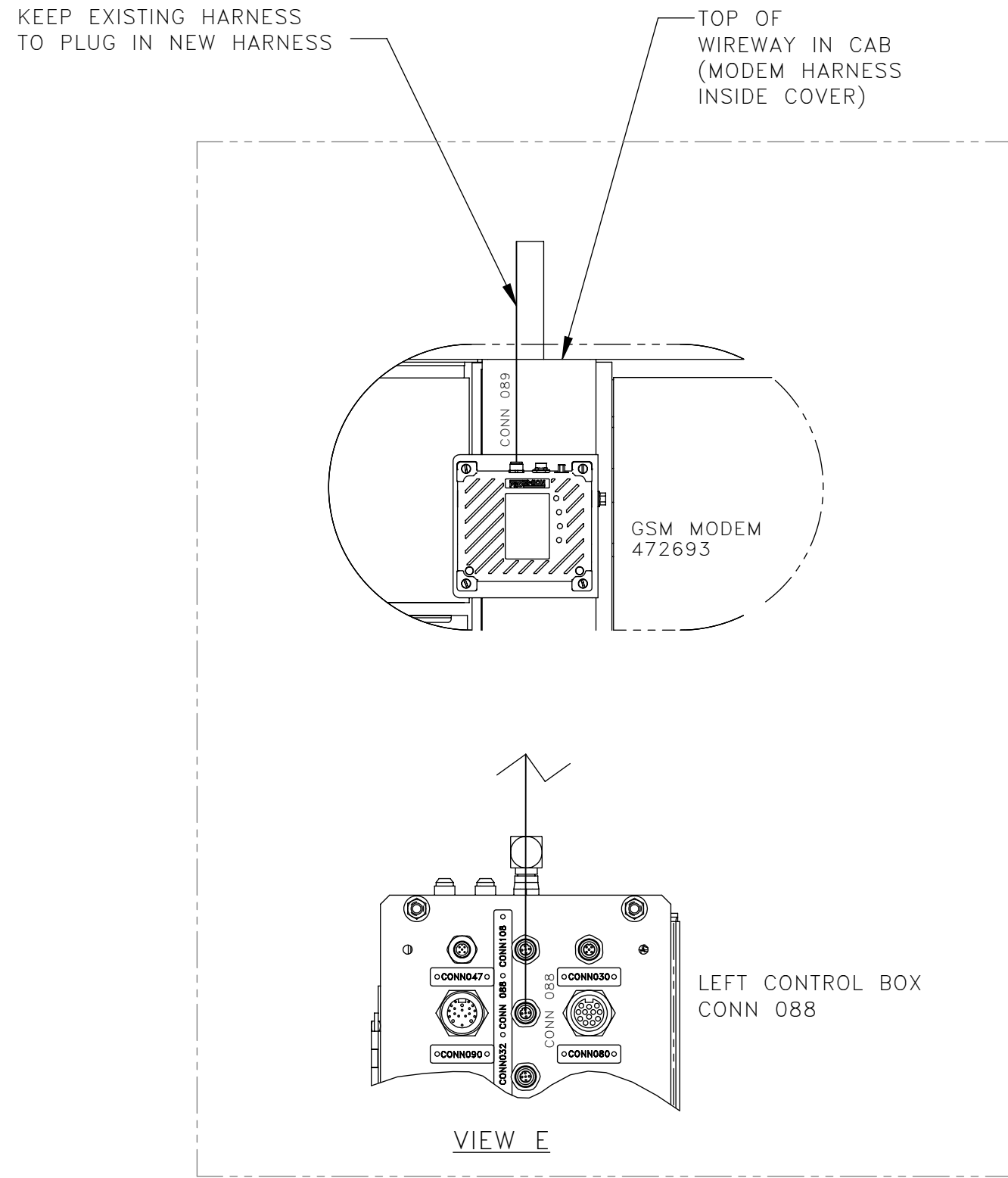
1. POWER OFF MACHINE AND TAG OUT BEFORE PERFORMING CONVERSION.
2. DISCONNECT WIRE HARNESS AND ANTENNA FROM TOP OF MODEM (SEE VIEW E).
3. REMOVE GSM MODEM AND ANTENNA FROM CAB (SEE VIEW E).
4. **IMPORTANT NOTE:** RECORD THE SERIAL NUMBER FOUND ON THE OLD 3G MODEM AND THE NEW 4G MODEM AND RETURN THAT INFORMATION TO RRP ENGINEERING SO THAT THE ELEVATE CONNECTION SOFTWARE CAN BE UPDATED FOR THE NEW MODEM. TO: development@racinerrailroad.com

INSTALLATION:

1. MOUNT ANTENNA TO ROOF TOP USING EXISTING HOLE, ROUTING OF CABLES.(SEE SECTION F-F).
2. MOUNT MODEM TO EXISTING BRACKET (SEE SECTION A-A).
3. ATTACH NEW MODEM WIRE HARNESS TO MODEM AND EXISTING HARNESS AT THE TOP OF CABLE WIREWAY (SEE VIEW E).
4. POWER-UP MACHINE AND ENSURE MODEM POWERS UP PROPERLY.
5. **!!! CRITICAL STEP FOLLOW INFORMATION BELOW**
ONCE MODEM IS INSTALLED, PLEASE EMAIL THE FOLLOWING INFORMATION TO: development@racinerrailroad.com
 1. PICTURE OF THE MODEM'S SERIAL NUMBER.
 2. MACHINE'S SERIAL NUMBER.
 3. MACHINE RUNNING NUMBER.

****FAILURE TO DO SO, WILL PREVENT US FROM PROPERLY ACTIVATING AND ASSIGNING YOUR MODEM**

DWG NO 800378



REV	EN	DESCRIPTION	DATE	DRN
1	6045	NEW RELEASE	1-22	PR
2	6148	ADD VIEW AB; UPDATE 475251-MANUFACTURER CHANGED ANTENNA	2-22	PR

DIMENSION TOLERANCES UNLESS OTHERWISE SPECIFIED

LINEAR	.XX=±.03	.XXX=±.010
ANGULAR	X'=±1°	X.X'=±.5°

SURFACE FINISH 125 ✓ SMOOTH ALL SHARP EDGES NOT TO EXCEED CLEAN ALL WELDS

THIS PRINT AND ALL INFORMATION WITHIN BELONGS TO RACINE RAILROAD PRODUCTS

RACINE RAILROAD PRODUCTS
RACINE, WISCONSIN USA

DESCRIPTION
INSTRUCTIONS, 4G MODEM KIT

MATERIAL
SEE BOM

USED ON	793132	SCALE	1:1	DATE	12-21-21
DRN	PR	CHK	APP	JOB NO	SHEET
				RD140001	1 OF 1
DWG SIZE	CATALOG	DWG NO			
D	A		800378		