

Service Bulletin

Maintenance of Way Equipment

Date: 02.22.2024

RRP Service Bulletin No: RRP SB391

Title: Advance Anchormatic Door Latch Replacement Kit

Rating:



ALERT
(Potential Problem)



INFORMATION
(Action Is Optional)



DIRECTIVE
(Action Is Required)



PRODUCT IMPROVEMENT
(Enhance Product)

Product Series: Advance Anchormatic

Serial No:

AAM-001-16	915572		
AAM-002-17	915572	UPRR	AAA-1701
AAM-003-17	915572	UPRR	AAA-1702
AAM-004	915572	UPRR	AAA-1801
AAM-005	915572	UPRR	AAA-1802
AAM-006	915572	UPRR	AAA-1803
AAM-007	915572	UPRR	AAA-1804
AAM-008	915572	UPRR	AAA-1901
AAM-009	915572	UPRR	AAA-1902
AAM-010	915572	UPRR	AAA-1903

AAM-011	915572	UPRR	AAA-1904
AAM-012	915572	UPRR	AAA-1905
AAM-013	915572	UPRR	AAA-1906
AAM-014	945572	CN-S	68516
AAM-015	935572	CN-W	68515
AAM-016	935572	CN-W	68514
AAM-018	931572	UPRR	AAA-2001
AAM-019	931572	UPRR	AAA-2002
AAM-020	931572	UPRR	AAA-2003
AAM-021	931572	UPRR	AAA-2004
AAM-023	931572	UPRR	AAA-2301
AAM-024	931572	UPRR	AAA-2302
AAM-025	931572	UPRR	

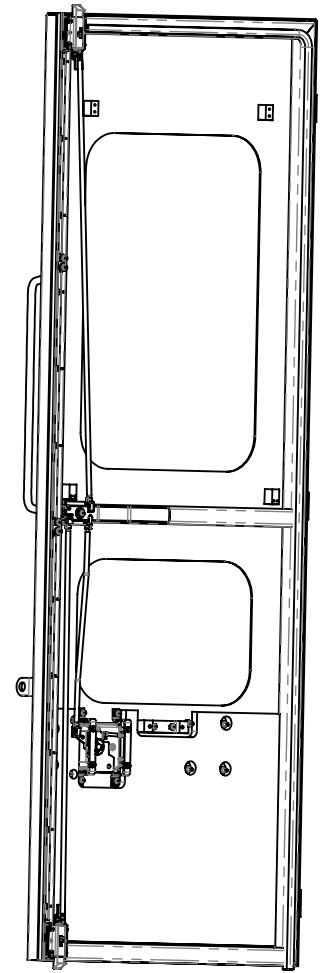
Summary: The Advance Anchormatic Door handles and linkage may fail causing difficulties opening the doors.

Action: Order service kit **793191 Door Latch Replacement Kit** to replace the machine door handle and linkage. (See next page for kit parts and instructions.)

Instructions are included in the kit. Refer to the instructions for proper door cut out and proper spacing. Apply the template in the **800413 Door Latch Replacement Instructions** (page 4 and 5, D-size, print to full scale) for proper alignment of holes to be drilled.

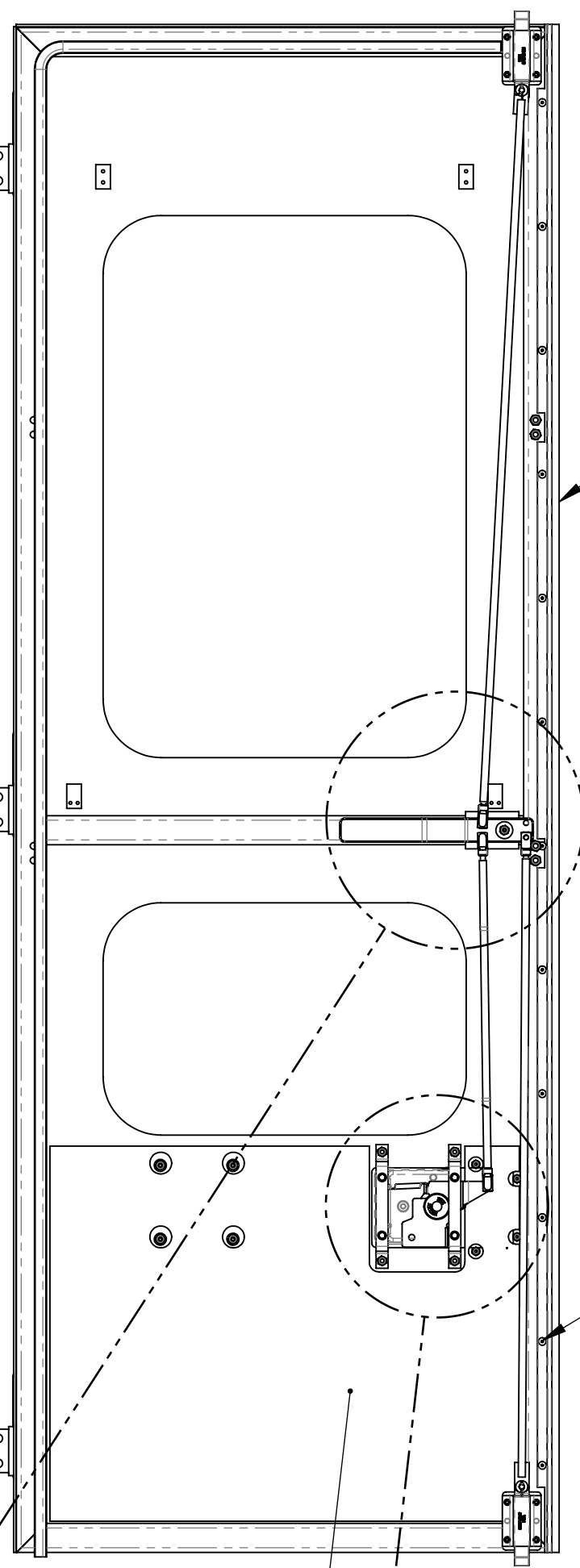
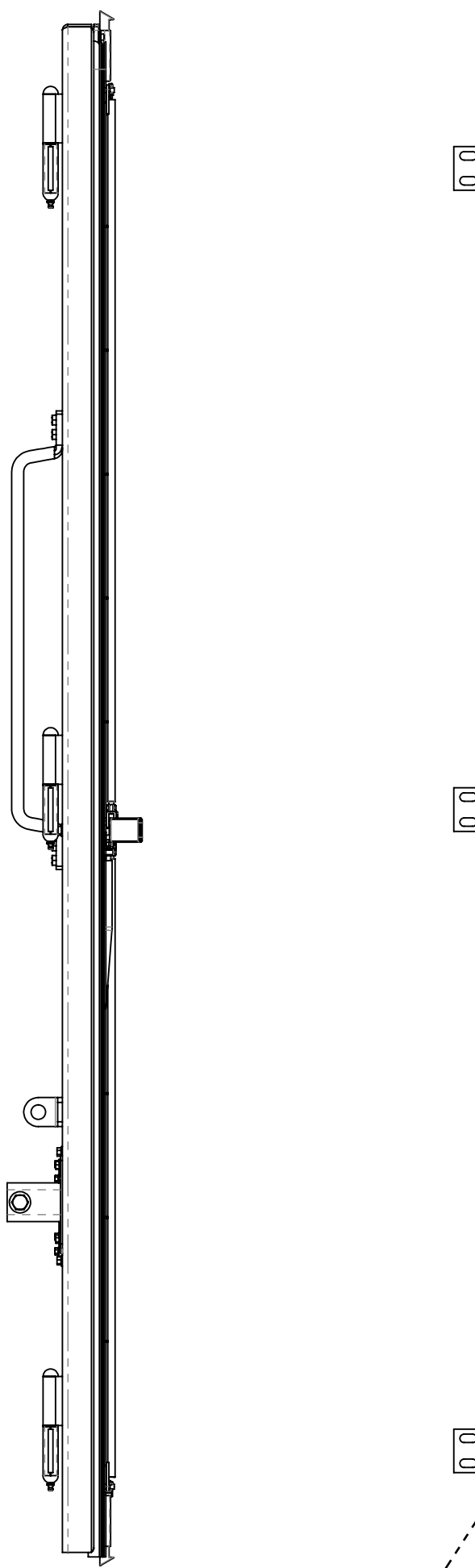
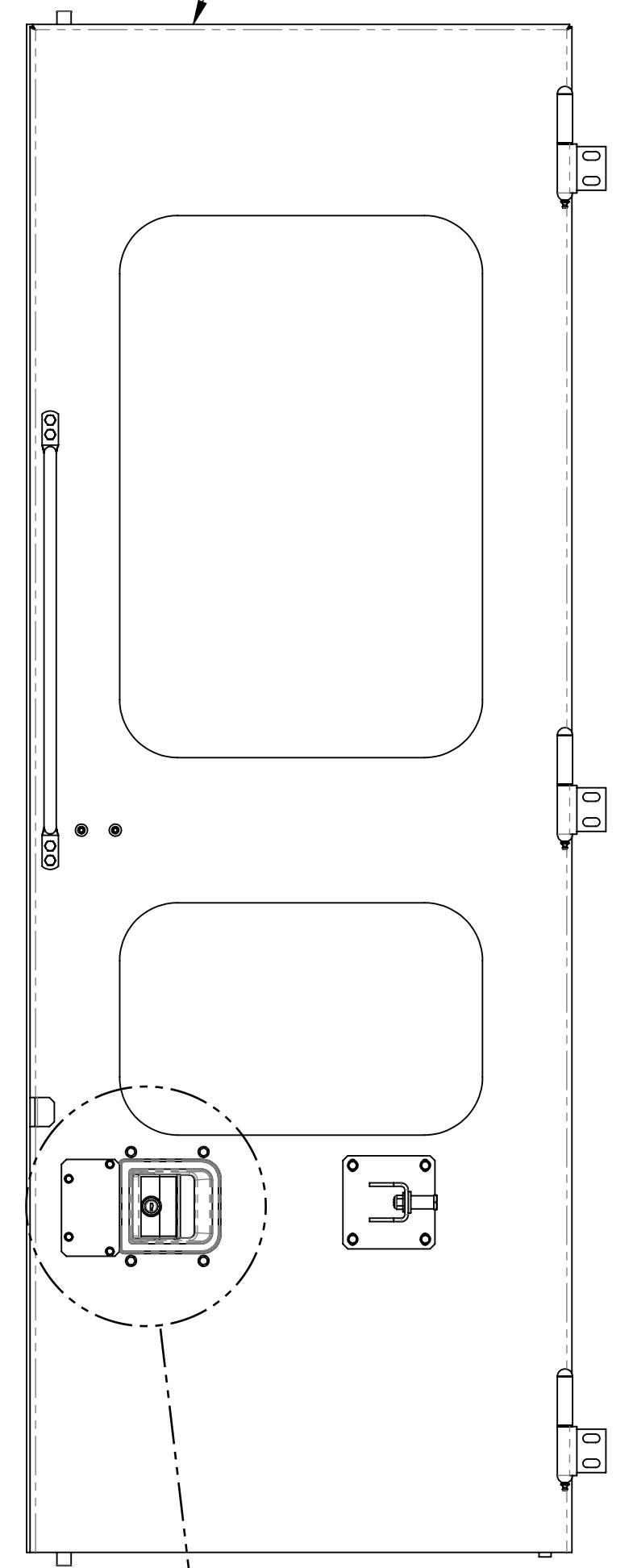
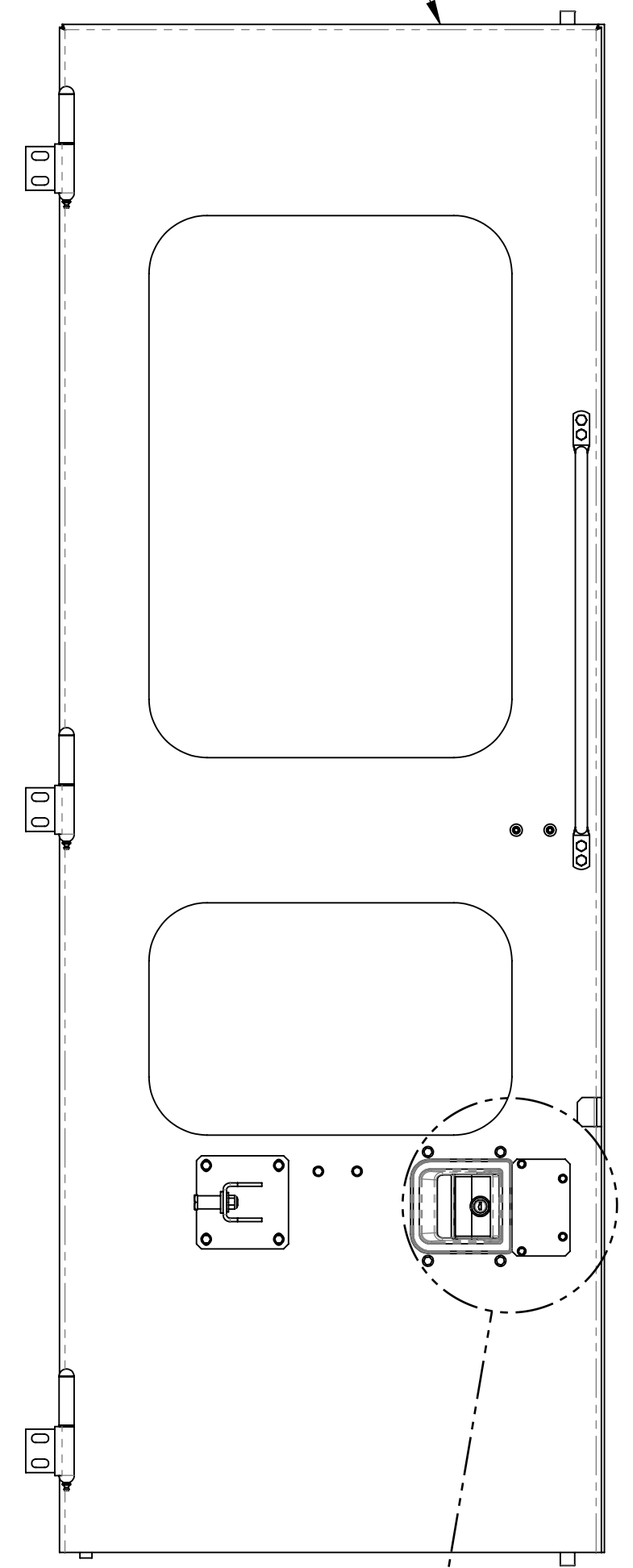
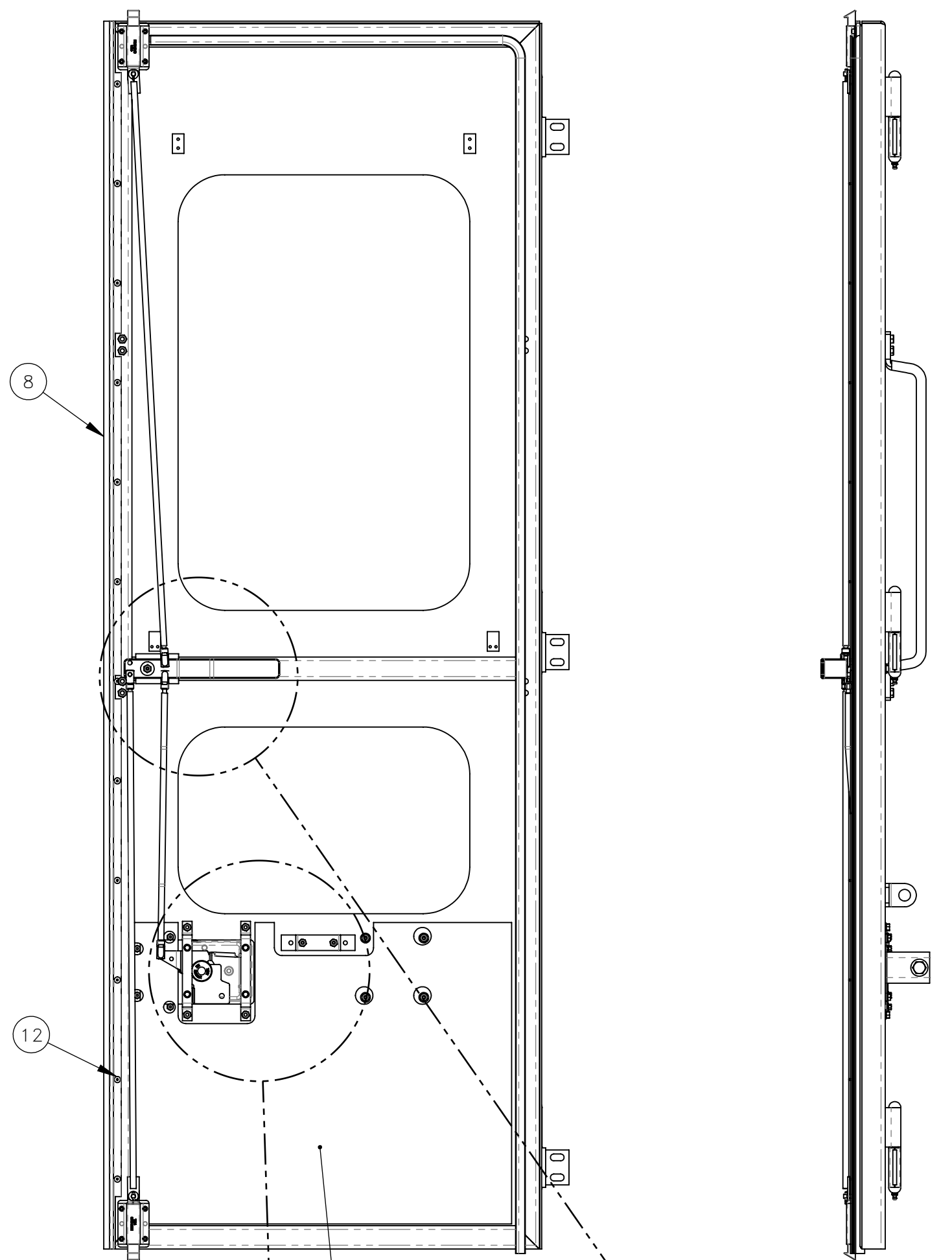
- Step 1: Remove door components.
- Step 2: Grind off welded components.
- Step 3: Modify doors using provided templates.
- Step 4: Reinstall new hardware.

Completion / Resolution: Continue with normal machine operation after installing the 793191 Door Replacement Kit.



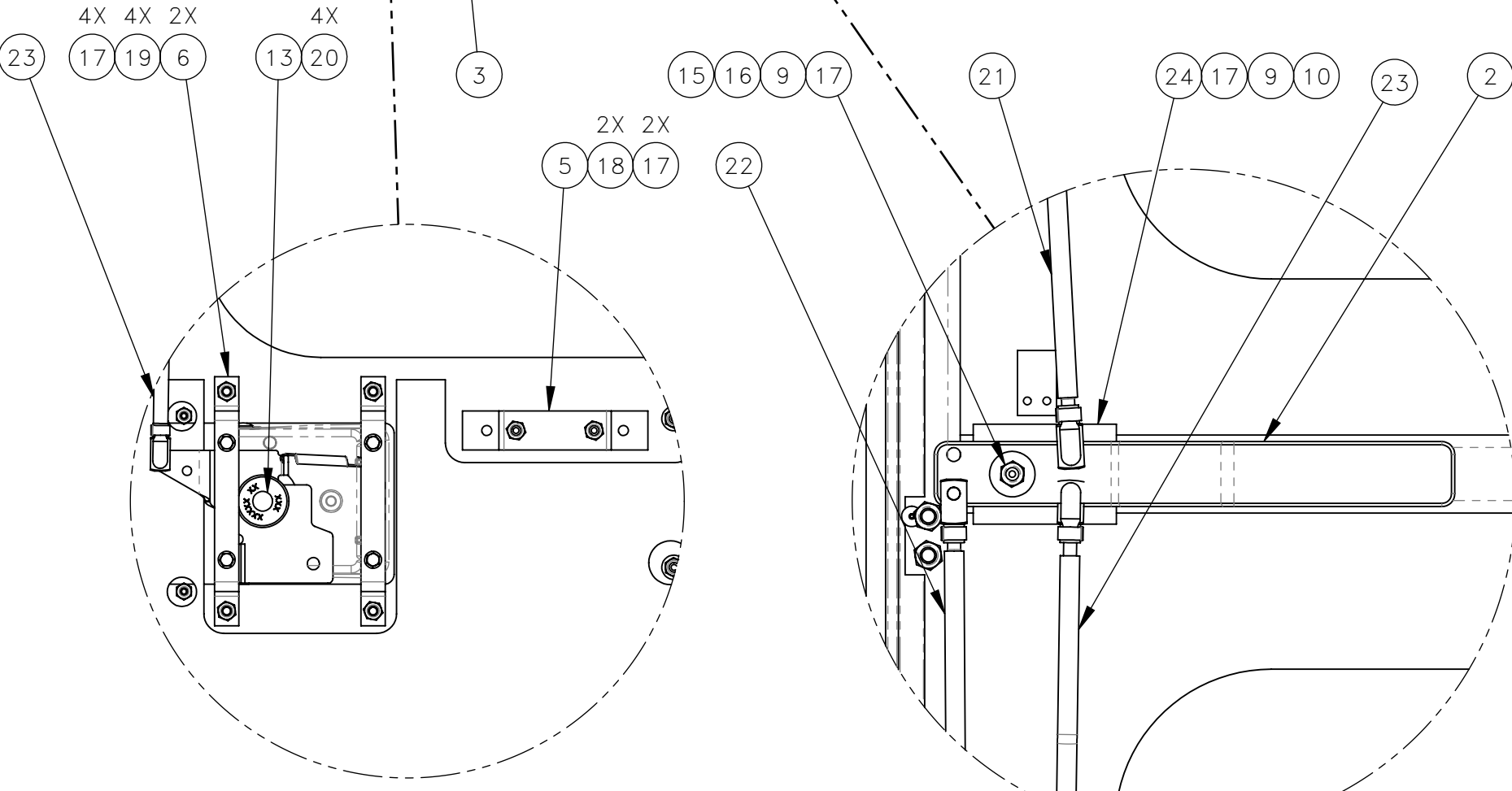
(REF 718185 DOOR, RIGHT)

(REF 718184 DOOR, RIGHT)

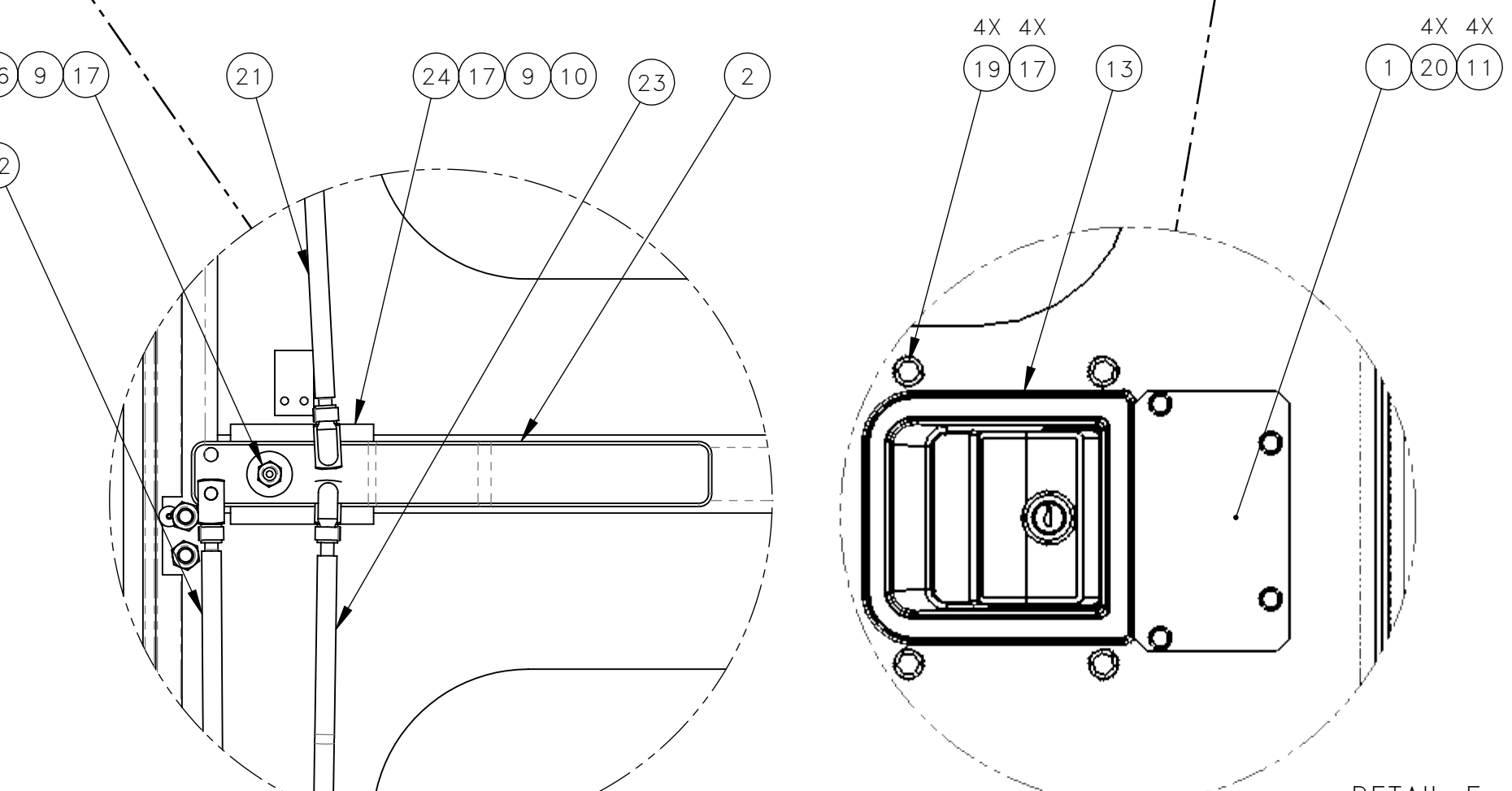


NO.	QTY	DESCRIPTION	PART NO.
1	2	PLATE, COVER	324150
2	2	HANDLE	324151
3	1	FOAM, DOOR: 19.38 X 24.25	324155
4	1	FOAM, DOOR: 19.38 X 24.25	324160
5	1	MOUNT, FIRST AID KIT	324164
6	4	MOUNT, LATCH	324167
7	1	WEATHERSTRIP, RIGHT DOOR FRAME	324470
8	1	WEATHERSTRIP, LEFT DOOR FRAME	324471
9	4	WASHER, FLT: .25	401626
10	2	SCR, SOC: .25-20 X 2.25	407649
11	8	NUT, HEX ES: 10-24	456470
12	24	RIVET, POP: .19 X .38	464393
13	1	LATCH, RIGHT DOOR	471271
14	1	LATCH, LEFT DOOR	471272
15	2	WASHER, FLT: .25	477183
16	2	SCR, SOC: .25-20 X 3.25	490664
17	14	NUT, HEX ES: .25-20	491232
18	2	SCR, HEX FLG: .25-20 X 1	491282
19	8	SCR, HEX FLG: .25-20 X .75	491553
20	16	SCR, HEX FLG: 10-24 X .62	492028
21	2	LINKAGE, DOOR UPPER	720505
22	2	LINKAGE, DOOR LOWER	720506
23	2	LINKAGE, HANDLE TO LATCH	720507
24	2	PIVOT, HANDLE	782486
25	1	INSTRUCTIONS: DOOR LATCH REPLACEMENT	800413

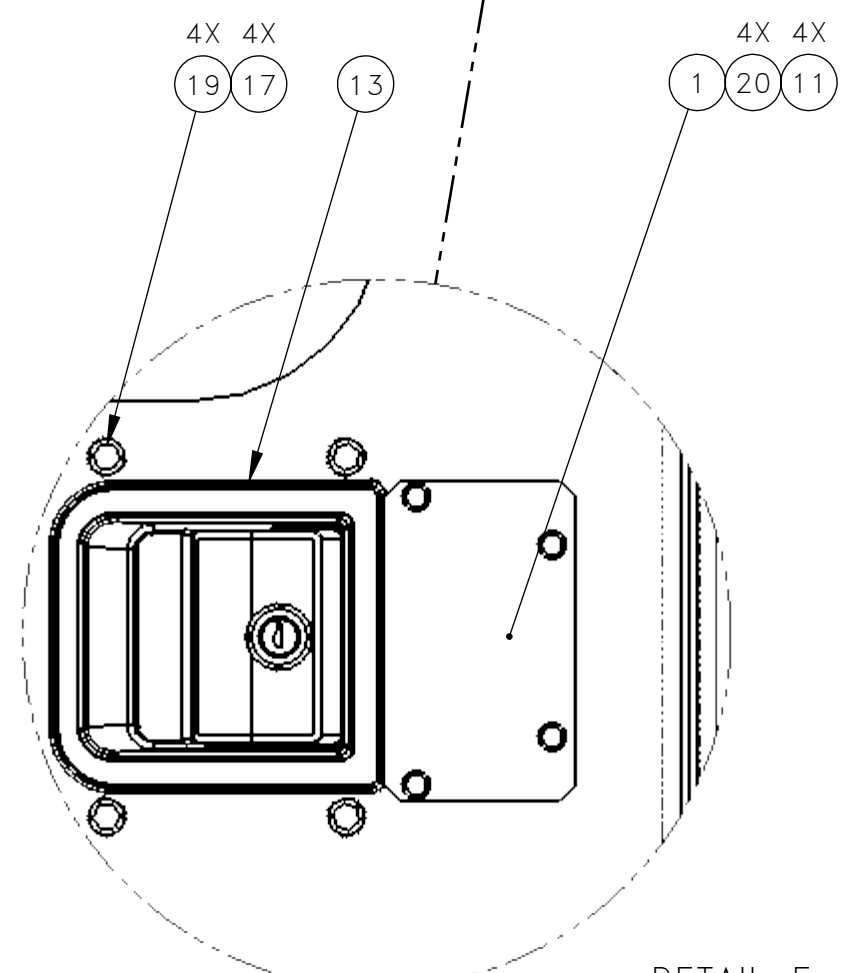
800413 (INSTRUCTIONS) NOT SHOWN



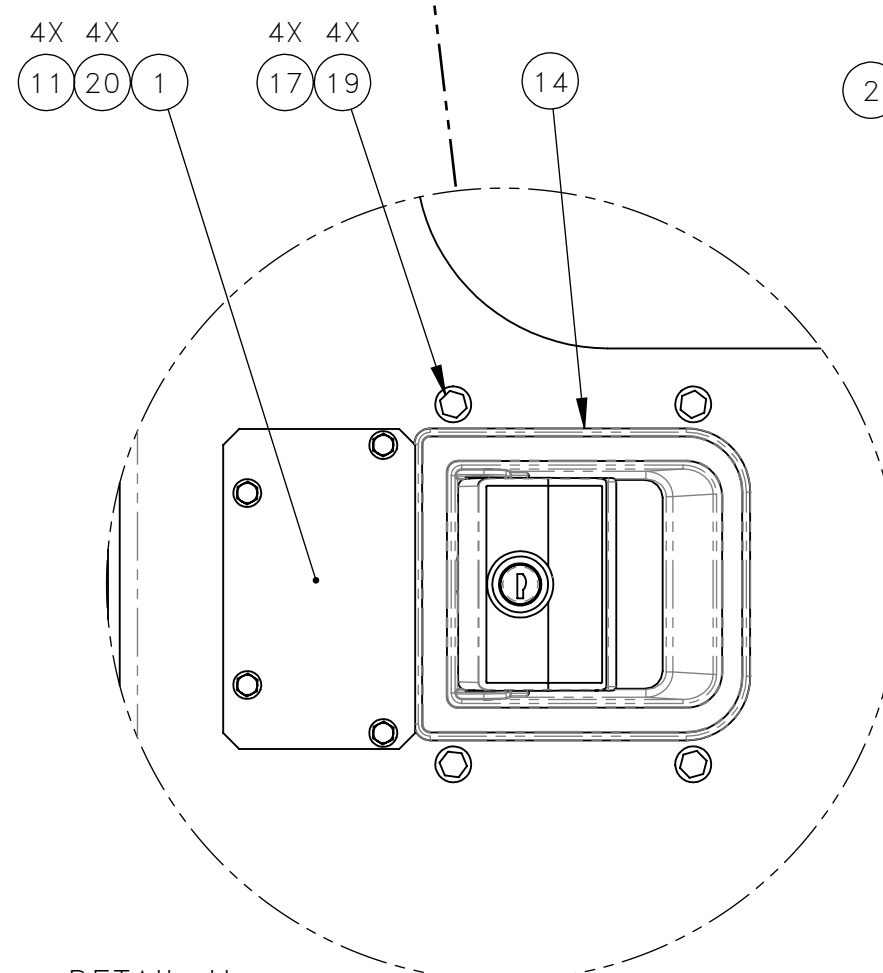
DETAIL F
SCALE 1 : 4



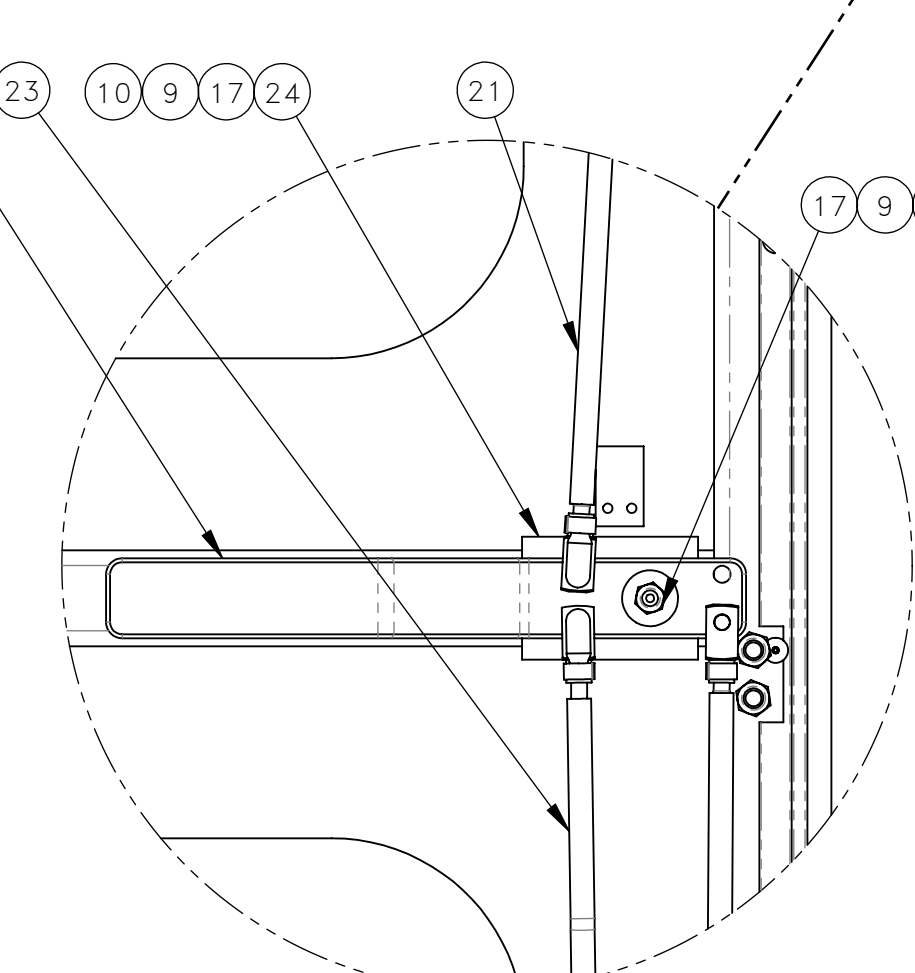
DETAIL G
SCALE 1 : 3



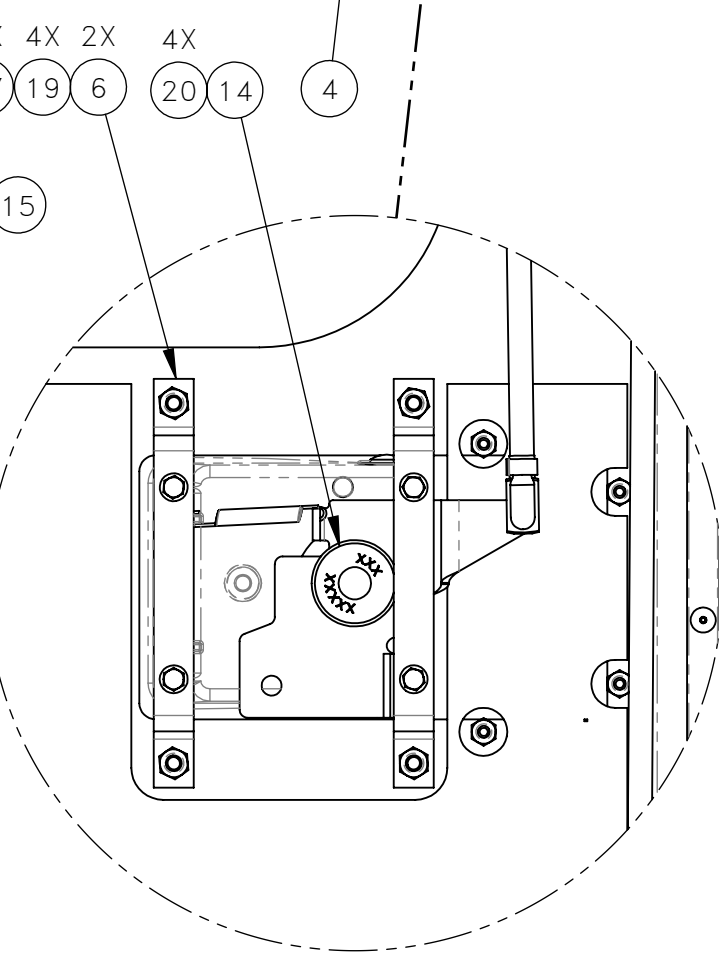
DETAIL E
SCALE 1 : 3



DETAIL H
SCALE 1 : 3



DETAIL K
SCALE 1 : 3



DETAIL J
SCALE 1 : 3

REV	EN	DESCRIPTION	DATE	DRN
1	00231	NEW RELEASE	7-23	KPB
2	00300	DEL 324163(2), ADD 782486(2)	9-23	KPB
3	00470	ADD 324470(1) 324471(1) 464393(24)	01-24	MAE

DIMENSION TOLERANCES UNLESS OTHERWISE SPECIFIED

LINEAR	.XX=±.03	.XXX=±.010	KERF ALLOW.
ANGULAR	X°=±1°	X.X°=±.5°	

SURFACE FINISH 125 SMOOTH ALL SHARP EDGES
NOT TO EXCEED CLEAN ALL WELDS

THIS PRINT AND ALL INFORMATION WITHIN BELONGS
TO RACINE RAILROAD PRODUCTS

RACINE RAILROAD PRODUCTS
RACINE, WISCONSIN USA

DESCRIPTION
KIT, DOOR LATCH REPLACEMENT

MATERIAL TYPE SEE BOM

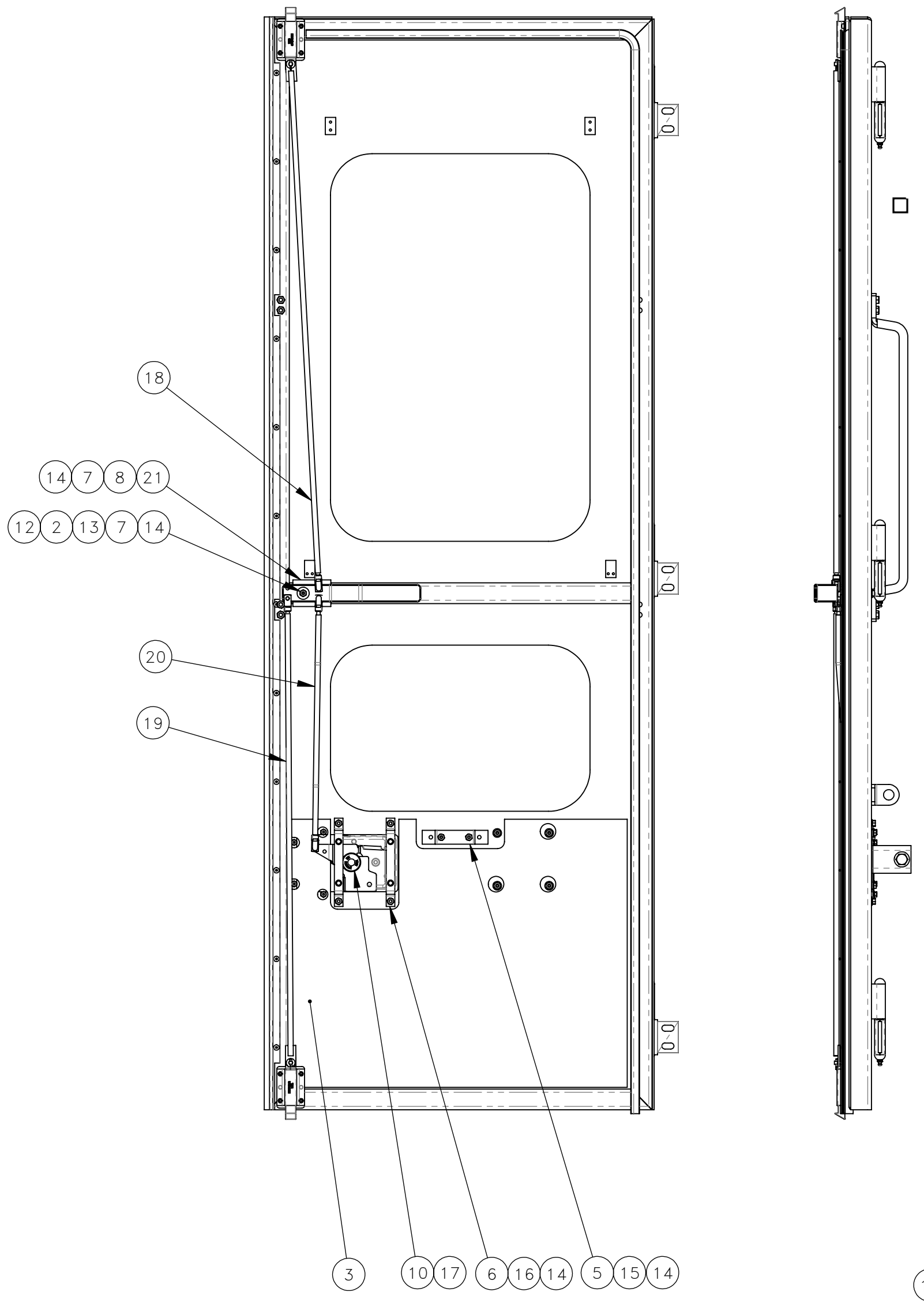
USED ON	718090	719018	719056	SCALE	DATE
DRN	KB	WEIGHT (LBS)	JOB NO	SHEET	
DWG SIZE	D	237.50	RD150002	1 OF 1	
CATALOG	N				

793191

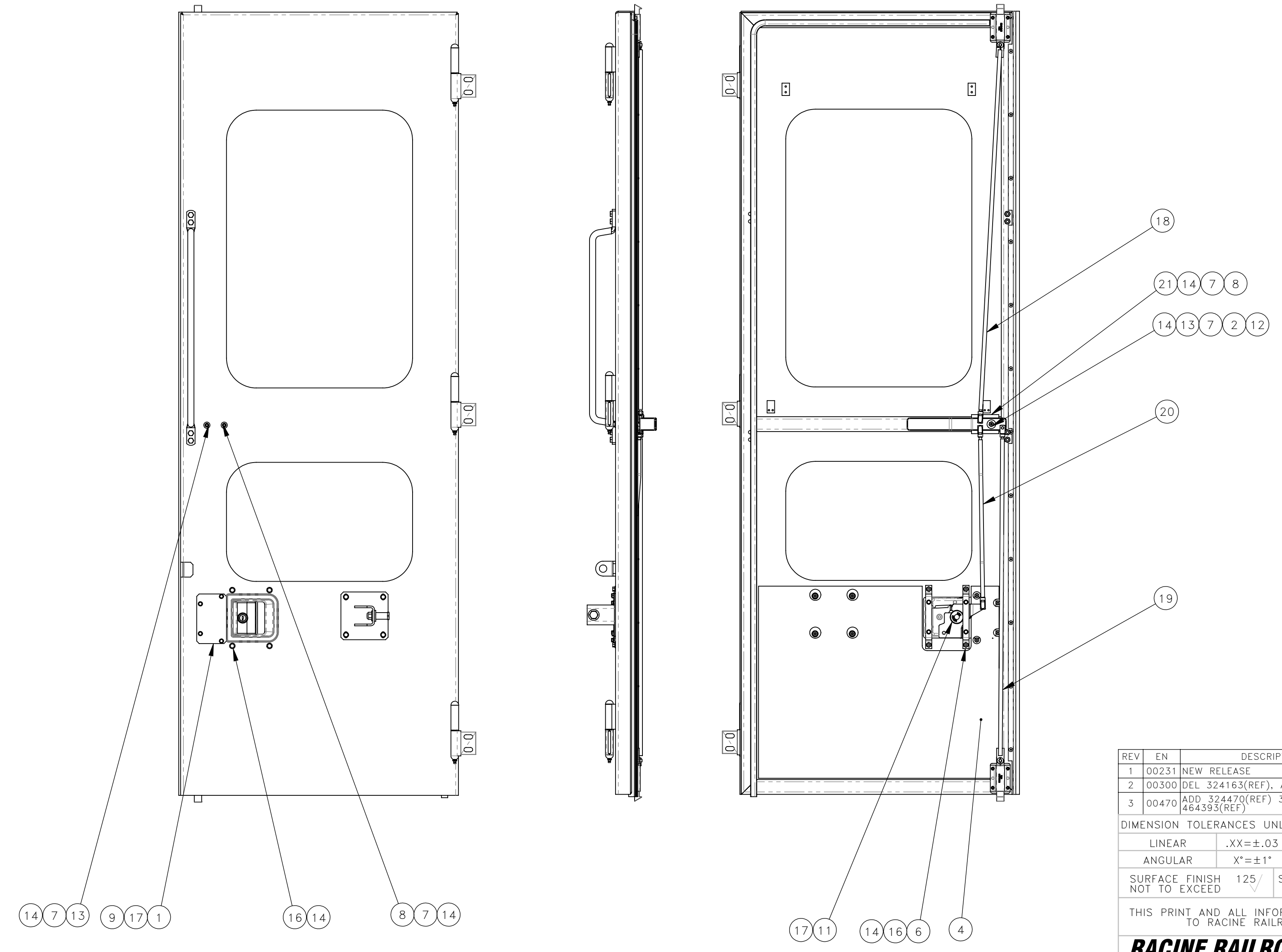
MODIFY DOORS FOR NEW DOOR LATCHES AS SHOWN
 SEE SHEETS 2 & 3 FOR INSTRUCTIONS
 AND RECOMMENDED MODIFICATION SEQUENCE
 THEN ASSEMBLE DOORS PER SHEET 1

NO.	QTY.	DESCRIPTION	PART NO.
1	REF	PLATE, COVER	324150
2	REF	HANDLE	324151
3	REF	FOAM, DOOR: 19.38 X 24.25	324155
4	REF	FOAM, DOOR: 19.38 X 24.25	324160
5	REF	MOUNT, FIRST AID KIT	324164
6	REF	MOUNT, LATCH	324167
7	REF	WASHER, FLT: .25	401626
8	REF	SCR, SOC: .25-20 X 2.25	407649
9	REF	NUT, HEX ES: 10-24	456470
10	REF	LATCH, RIGHT DOOR	471271
11	REF	LATCH, LEFT DOOR	471272
12	REF	WASHER, FLT: .25	477183
13	REF	SCR, SOC: .25-20 X 3.25	490664
14	REF	NUT, HEX ES: .25-20	491232
15	REF	SCR, HEX FLG: .25-20 X 1	491282
16	REF	SCR, HEX FLG: .25-20 X .75	491553
17	REF	SCR, HEX FLG: 10-24 X .62	492028
18	REF	LINKAGE, DOOR UPPER	720505
19	REF	LINKAGE, DOOR LOWER	720506
20	REF	LINKAGE, HANDLE TO LATCH	720507
21	REF	PIVOT, HANDLE	782486
22	REF	WEATHERSTRIP, RIGHT DOOR FRAME	324470
23	REF	WEATHERSTRIP, LEFT DOOR FRAME	324471
24	REF	RIVET, POP: .19 X .38	464393

718185 DOOR, RIGHT



718184 DOOR, RIGHT



REV	EN	DESCRIPTION	DATE	DRN
1	00231	NEW RELEASE	7-23	KPB
2	00300	DEL 324163(REF), ADD 782486(REF)	9-23	KPB
3	00470	ADD 324470(REF) 324471(REF) 464393(REF)	01-24	MAE

DIMENSION TOLERANCES UNLESS OTHERWISE SPECIFIED

LINEAR	.XX=±.03	.XXX=±.010	KERF ALLOW.
ANGULAR	X°=±1°	X.X°=±.5°	

SURFACE FINISH 125 ✓ SMOOTH ALL SHARP EDGES
 NOT TO EXCEED CLEAN ALL WELDS

THIS PRINT AND ALL INFORMATION WITHIN BELONGS TO RACINE RAILROAD PRODUCTS

RACINE RAILROAD PRODUCTS
 RACINE, WISCONSIN USA

DESCRIPTION
 INSTRUCTIONS: DOOR LATCH REPLACEMENT

MATERIAL TYPE REFERENCE

USED ON	793191	SCALE	DATE
		1:8	07-17-23
DRN	WEIGHT (LBS)	JOB NO	SHEET
KB	0.00	RD150002	1 OF 5
DWG SIZE	CATALOG	DWG NO	
D	N		

800413

SEQUENCE TO MODIFY DOORS FOR NEW DOOR LATCHES

1. REMOVE COMPONENTS FROM 718185 DOOR, LEFT

1. REMOVE COMPONENTS FROM 718174 DOOR, RIGHT

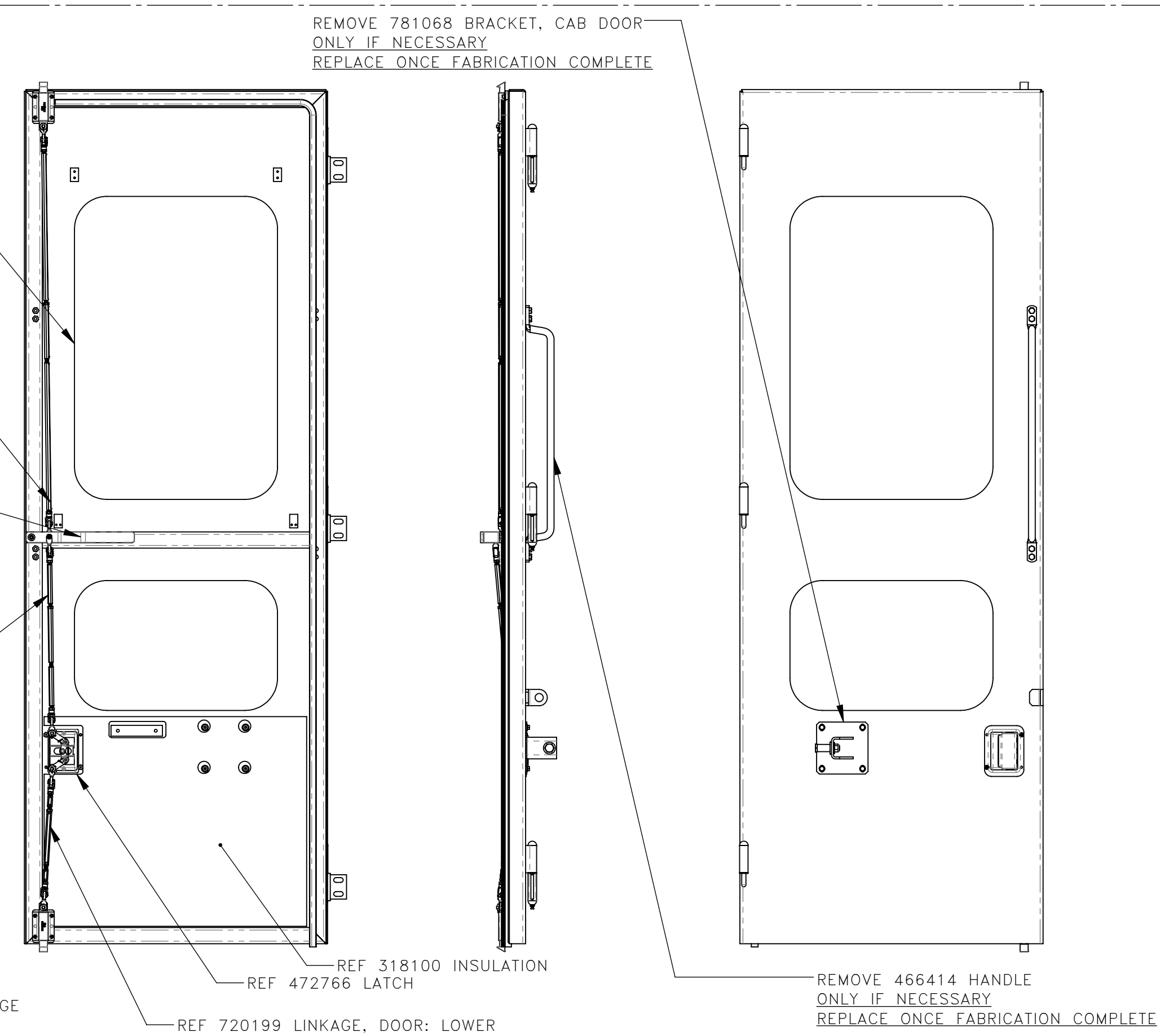
REMOVE WINDOWS AND SEALS
ONLY IF NECESSARY
REPLACE ONCE FABRICATION COMPLETE

REF 720201 LINKAGE, DOOR: UPPER

REF 317781 HANDLE

REF 720200 LINKAGE, DOOR: MIDDLE

REMOVE LOOSE PARTS
REMOVE 317781 HANDLE
REMOVE 472766 LATCH
REMOVE 719199, 719200, &N 719201 LINKAGE
REMOVE ASSOCIATED LINKAGE HARDWARE
REMOVE BOTTOM 318100 INSULATION



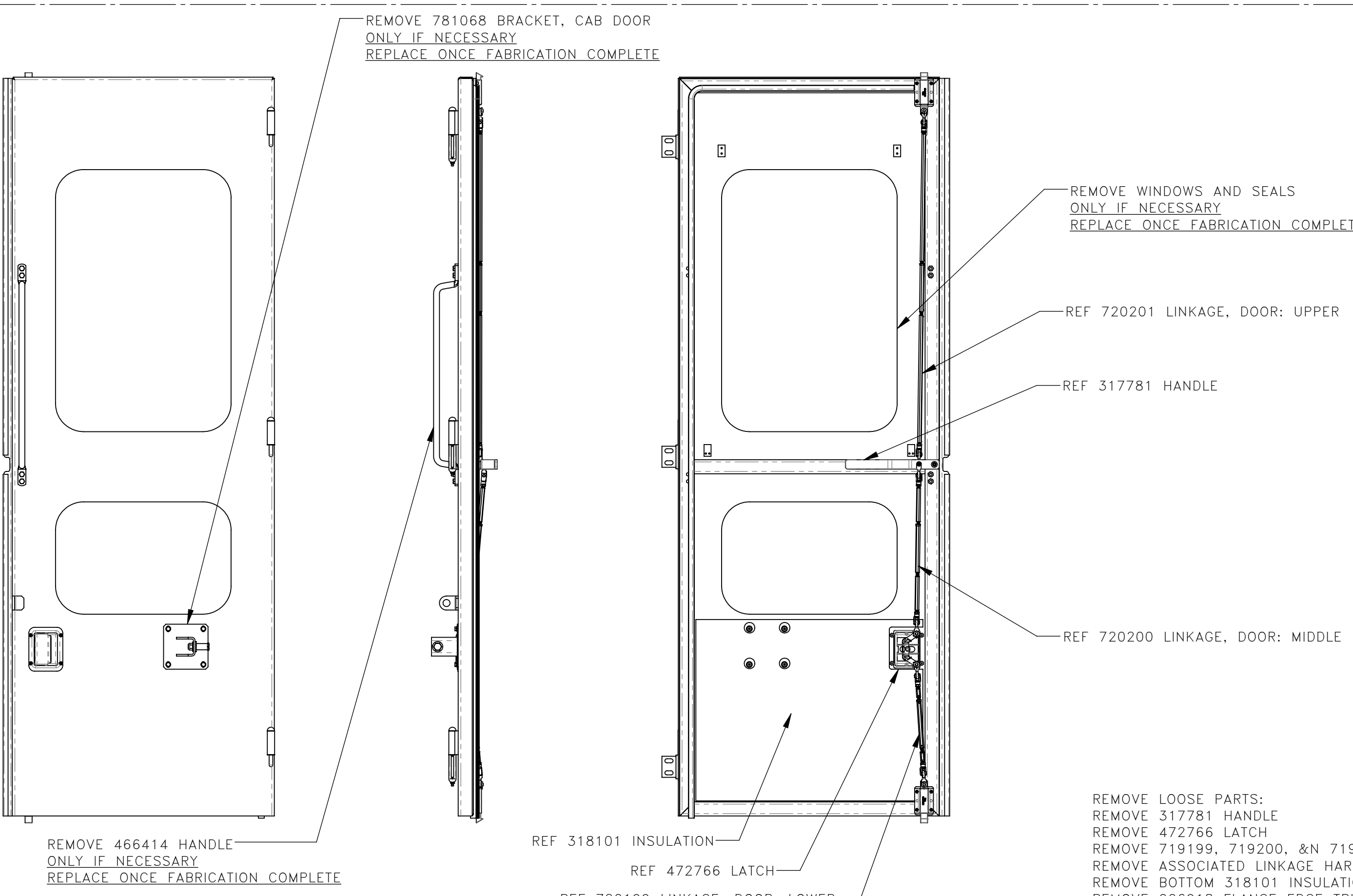
REMOVE WINDOWS AND SEALS
ONLY IF NECESSARY
REPLACE ONCE FABRICATION COMPLETE

REF 720201 LINKAGE, DOOR: UPPER

REF 317781 HANDLE

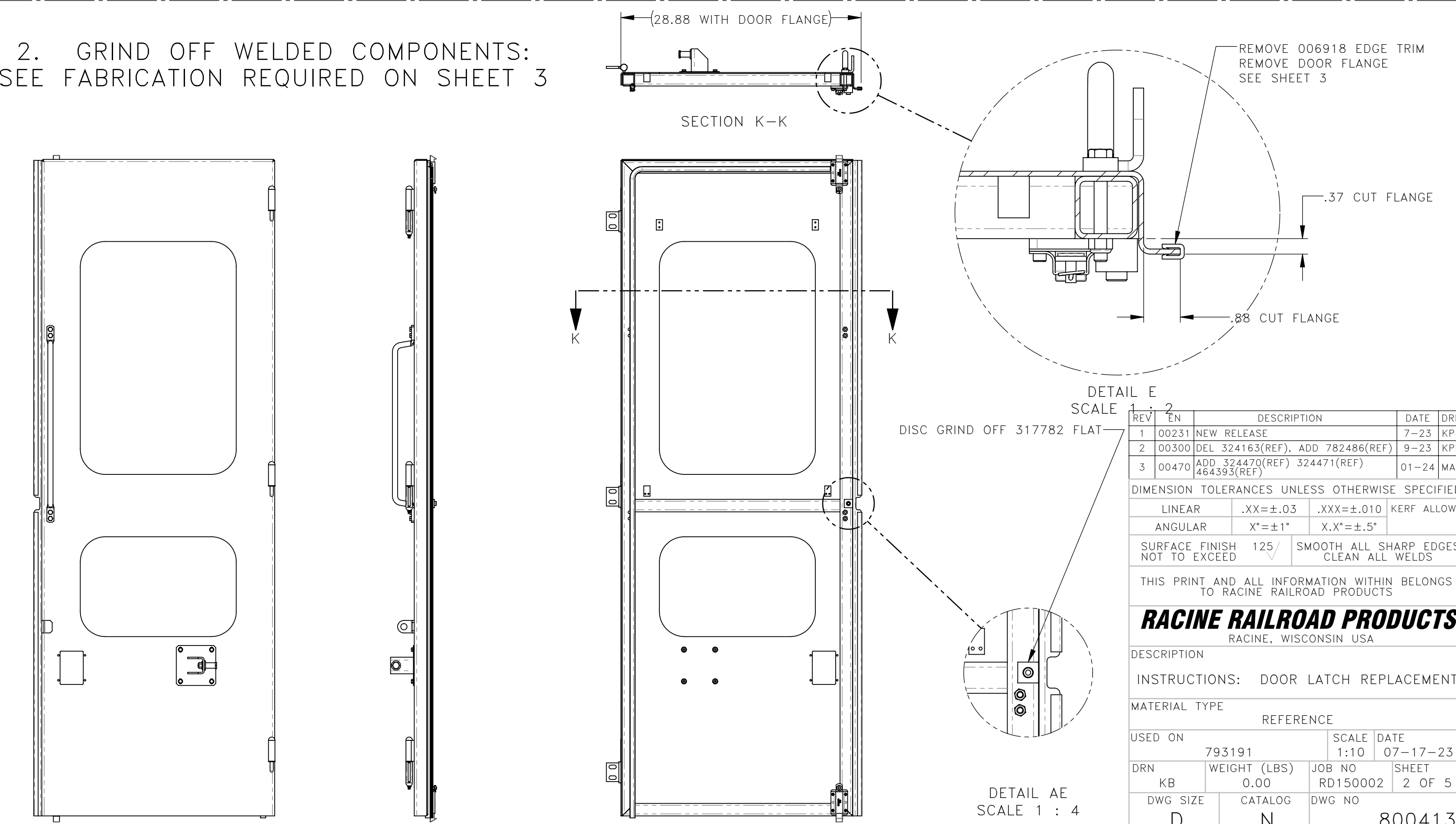
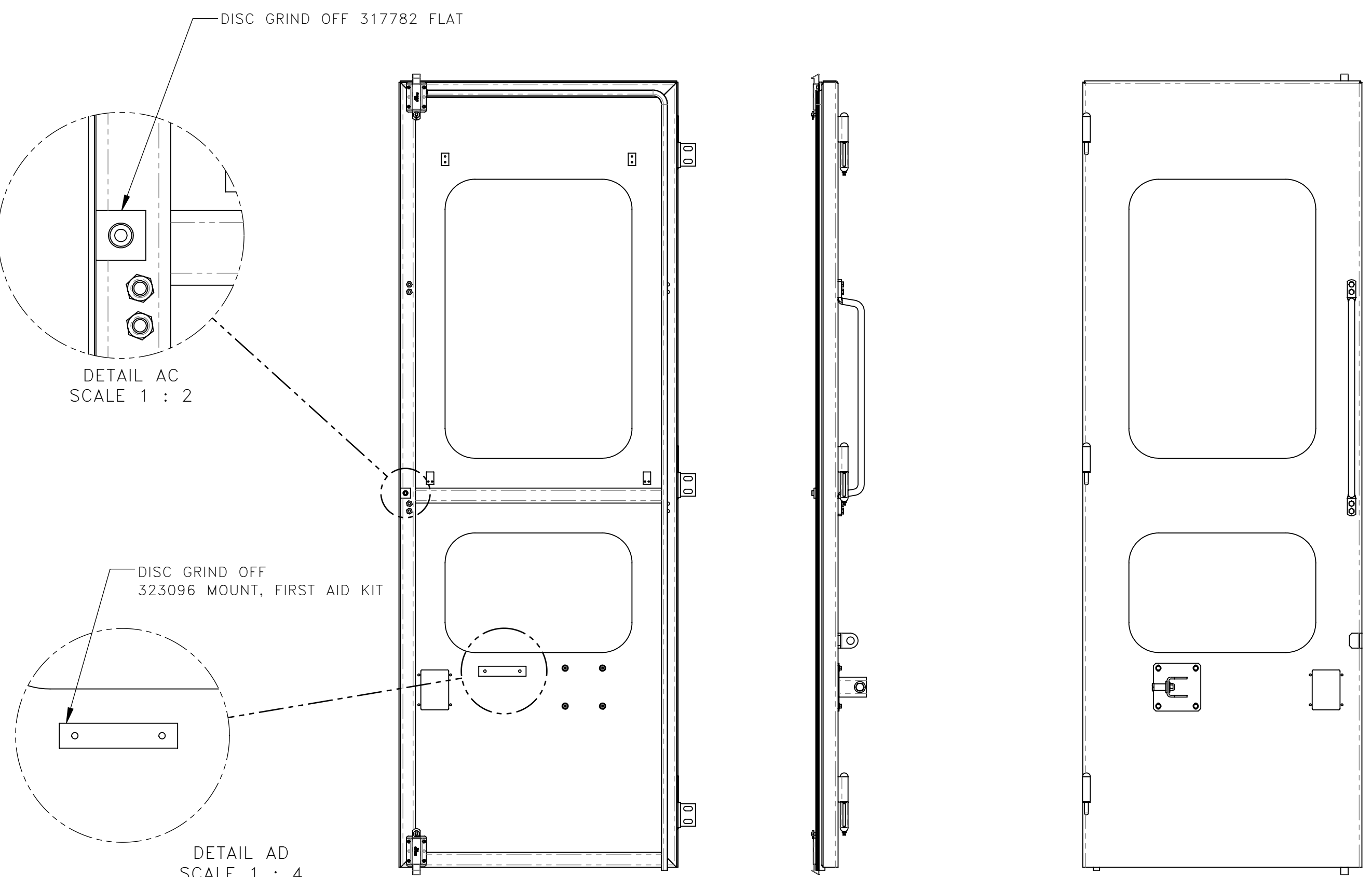
REF 720200 LINKAGE, DOOR: MIDDLE

REMOVE LOOSE PARTS:
REMOVE 317781 HANDLE
REMOVE 472766 LATCH
REMOVE 719199, 719200, &N 719201 LINKAGE
REMOVE ASSOCIATED LINKAGE HARDWARE
REMOVE BOTTOM 318101 INSULATION
REMOVE 006918 FLANGE EDGE TRIM



2. GRIND OFF WELDED COMPONENTS:
SEE FABRICATION REQUIRED ON SHEET 3

2. GRIND OFF WELDED COMPONENTS:
SEE FABRICATION REQUIRED ON SHEET 3



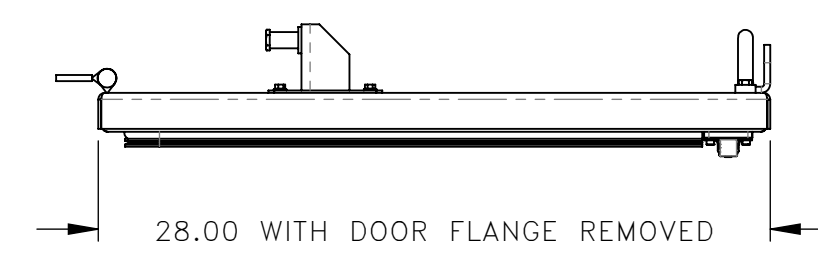
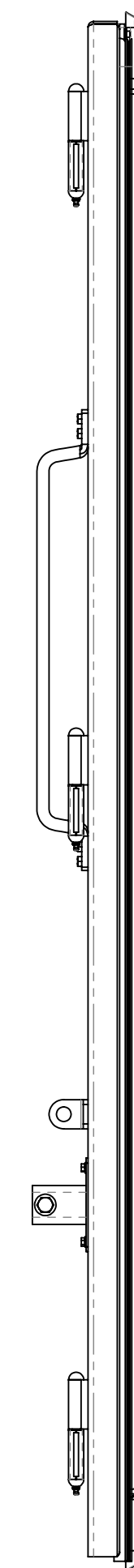
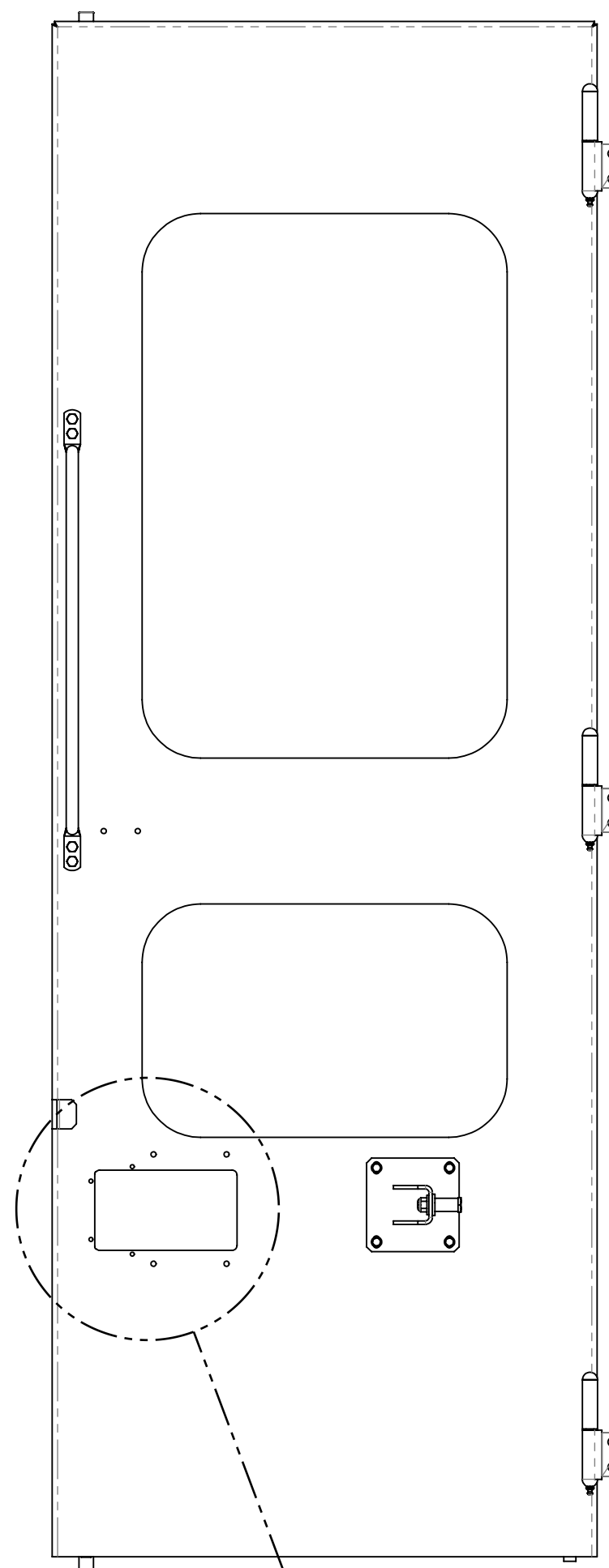
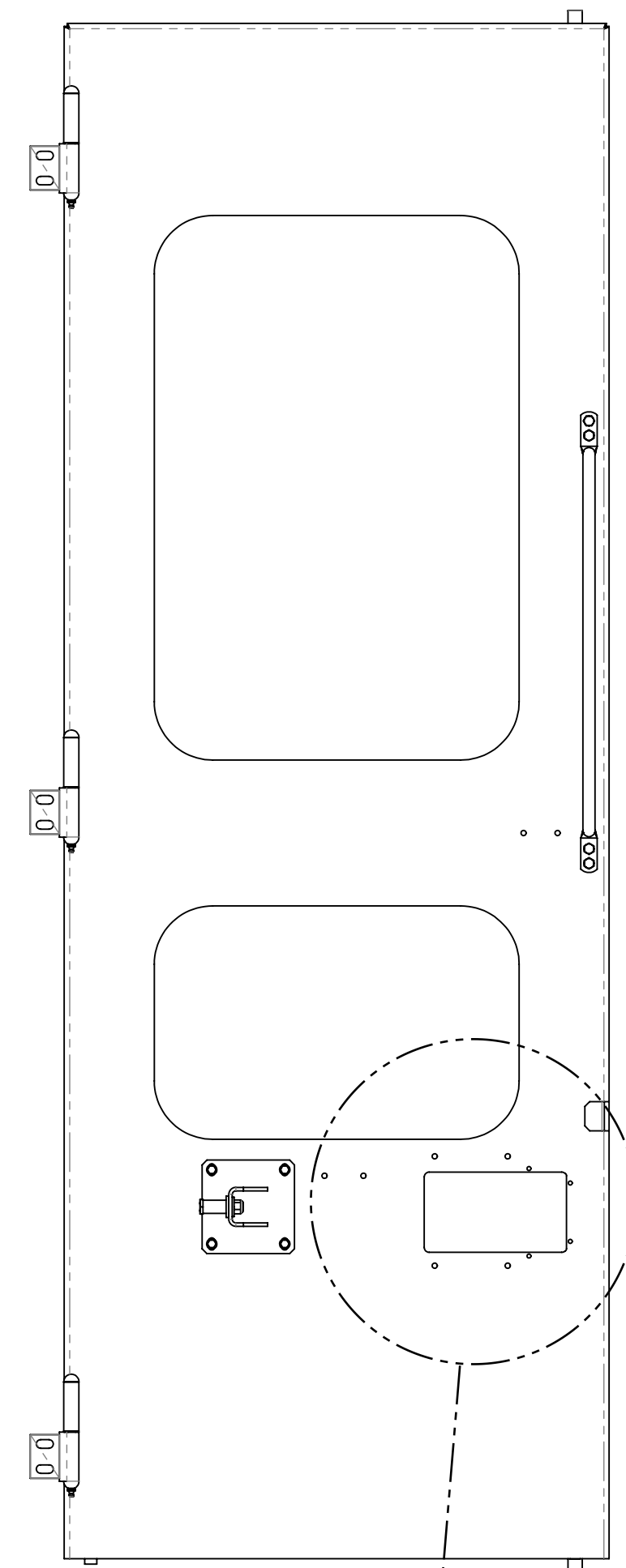
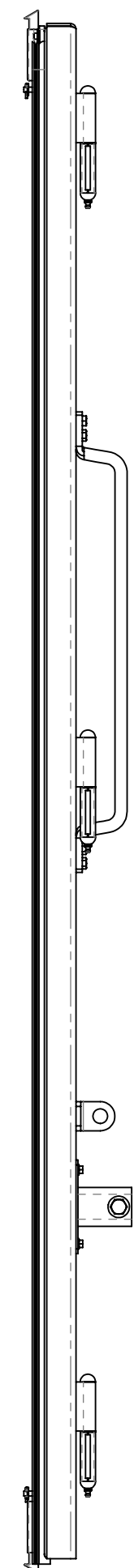
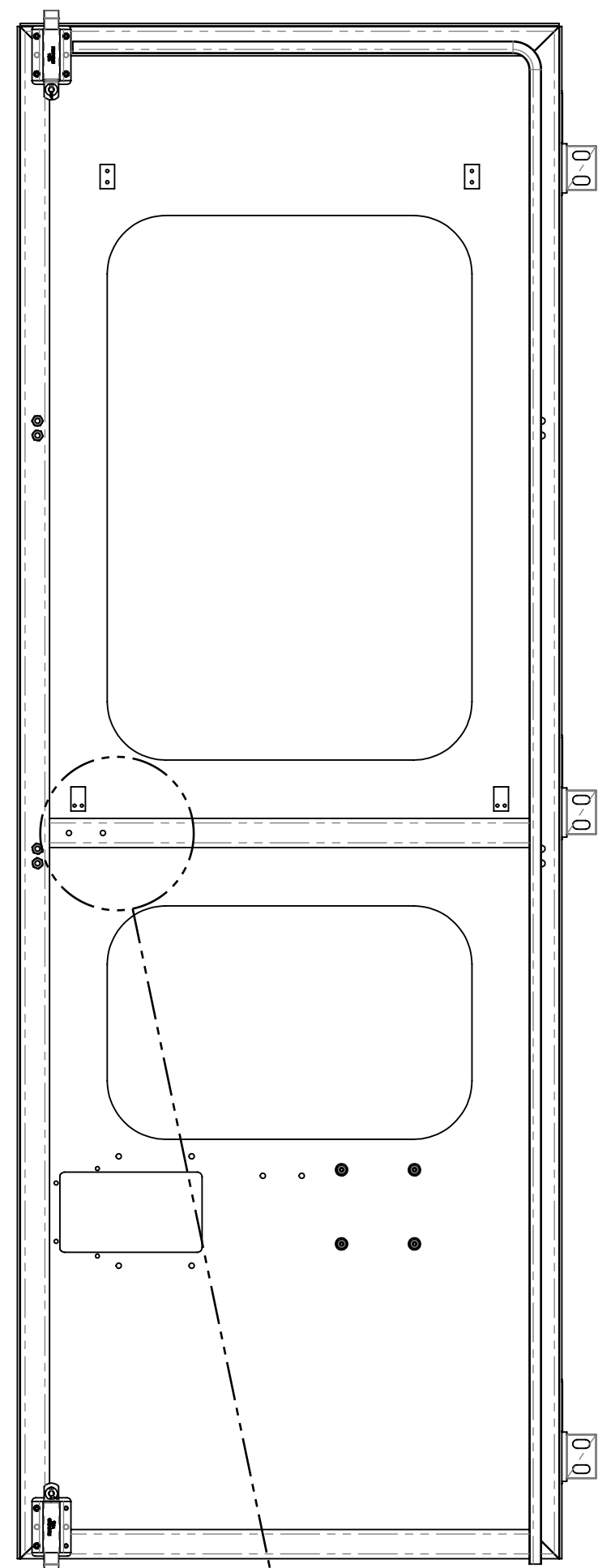
DWG NO 800413

LONG DESCR:

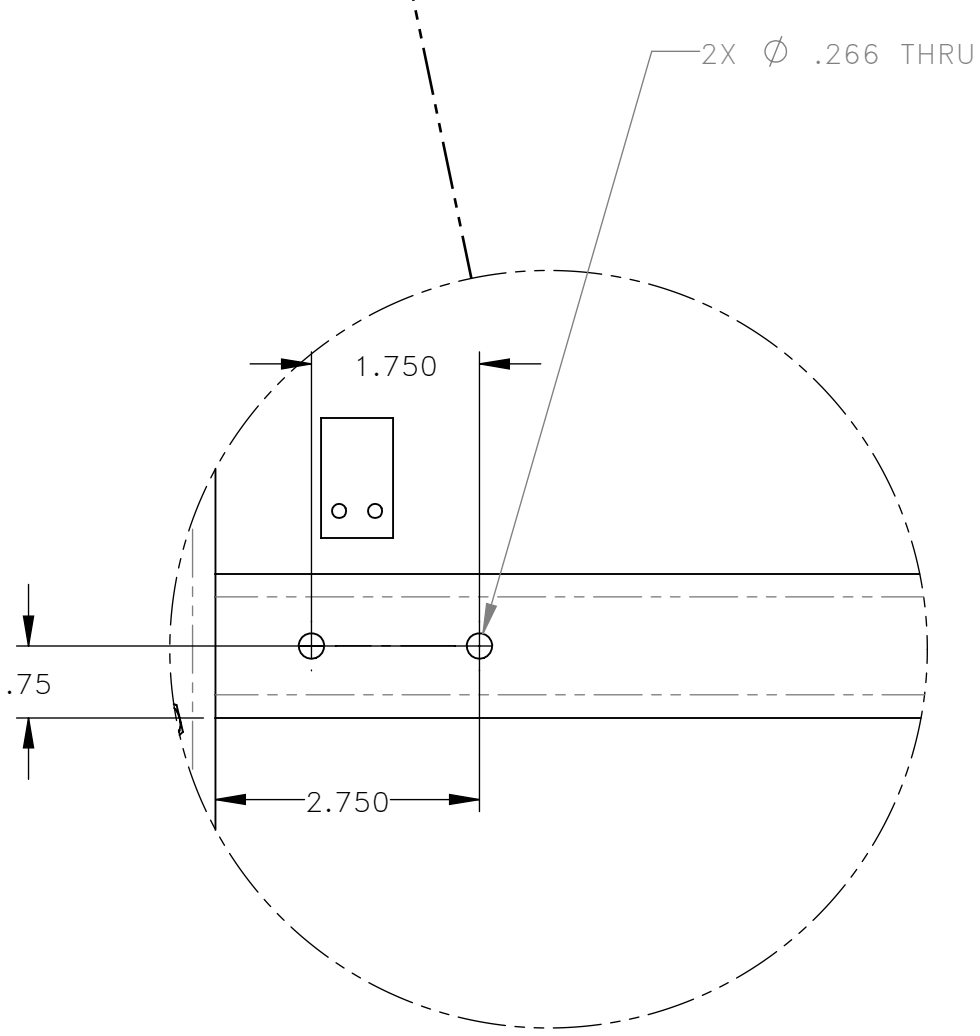
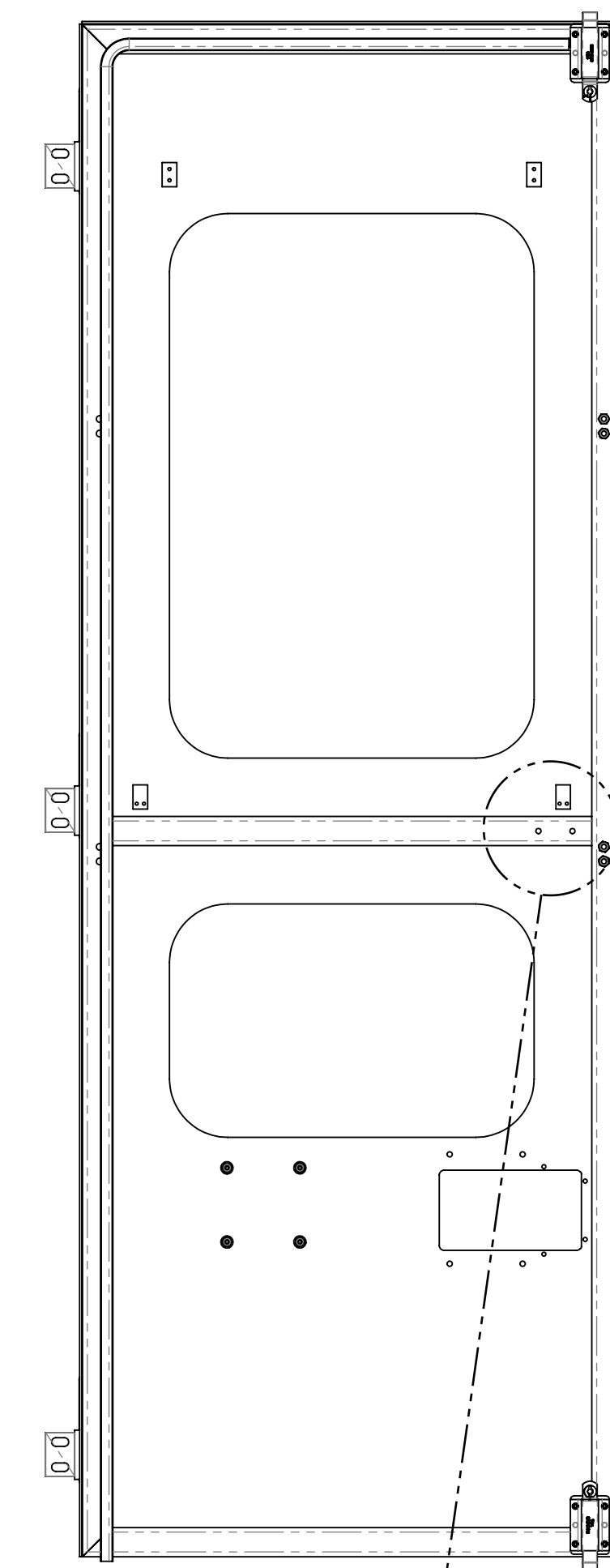
SW MATERIAL: Material not specified ©_BRG_220930

3. FABRICATING 718185 EXISTING COMPONENTS

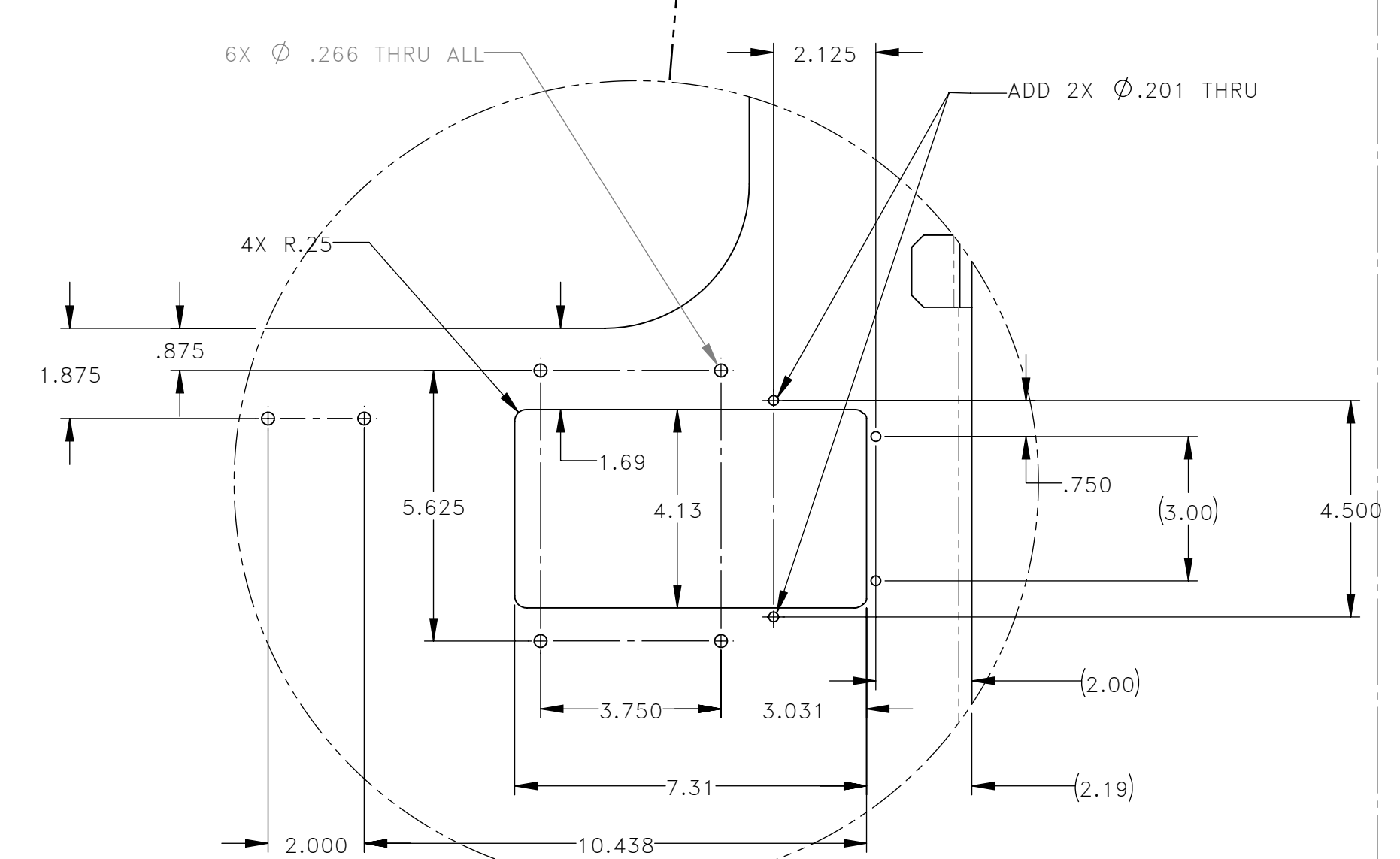
3. FABRICATING 718184 EXISTING COMPONENTS



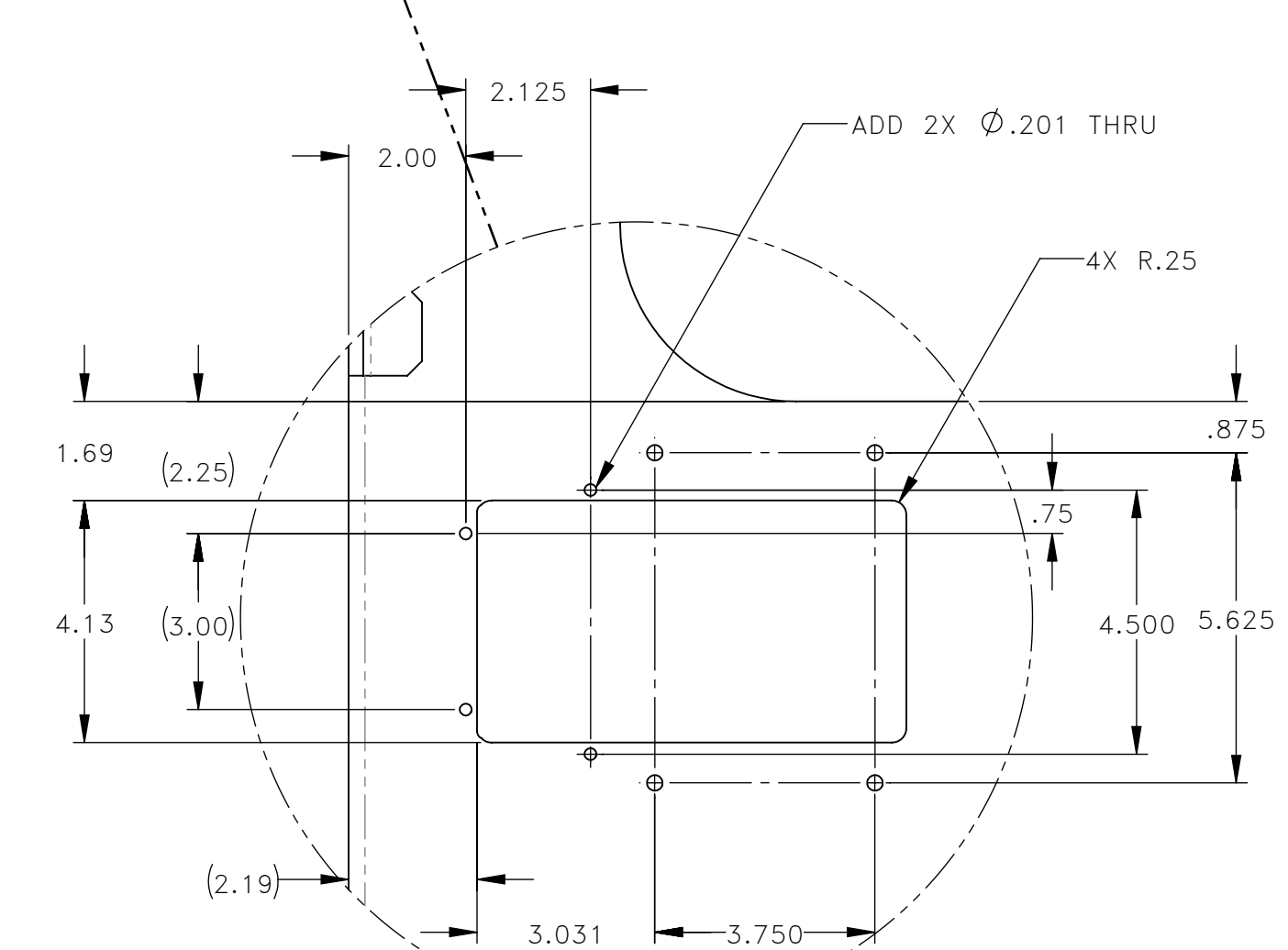
REMOVE FLANGE ENTIRE LENGTH



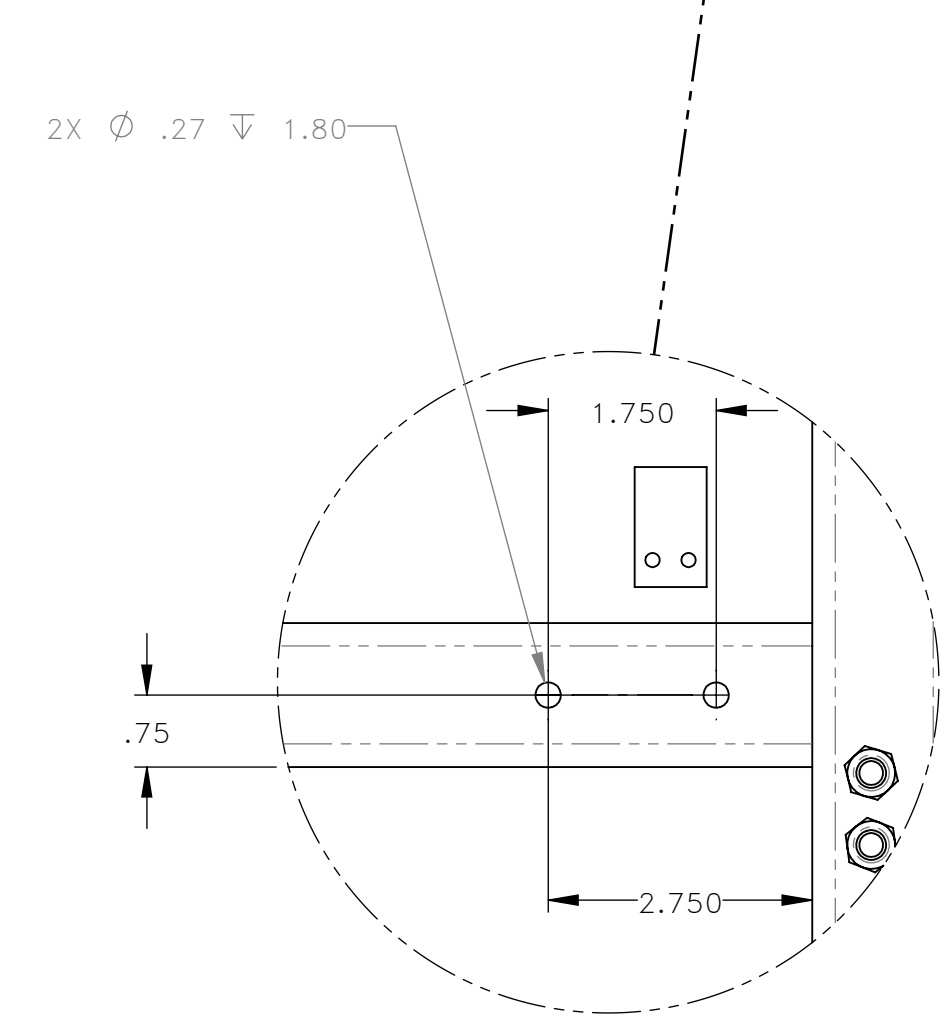
DETAIL J
SCALE 1 : 2



DETAIL K
SCALE 1 : 3



DETAIL M
SCALE 1 : 3



DETAIL N
SCALE 1 : 2

REV	EN	DESCRIPTION	DATE	DRN
1	00231	NEW RELEASE	7-23	KPB
2	00300	DEL 324163(REF), ADD 782486(REF)	9-23	KPB
3	00470	ADD 324470(REF) 324471(REF) 464393(REF)	01-24	MAE

DIMENSION TOLERANCES UNLESS OTHERWISE SPECIFIED

LINEAR	.XX=±.03	.XXX=±.010	KERF ALLOW.
ANGULAR	X°=±1°	X.X°=±.5°	

SURFACE FINISH 125 ✓ SMOOTH ALL SHARP EDGES NOT TO EXCEED CLEAN ALL WELDS

THIS PRINT AND ALL INFORMATION WITHIN BELONGS TO RACINE RAILROAD PRODUCTS

RACINE RAILROAD PRODUCTS
RACINE, WISCONSIN USA

DESCRIPTION
INSTRUCTIONS: DOOR LATCH REPLACEMENT

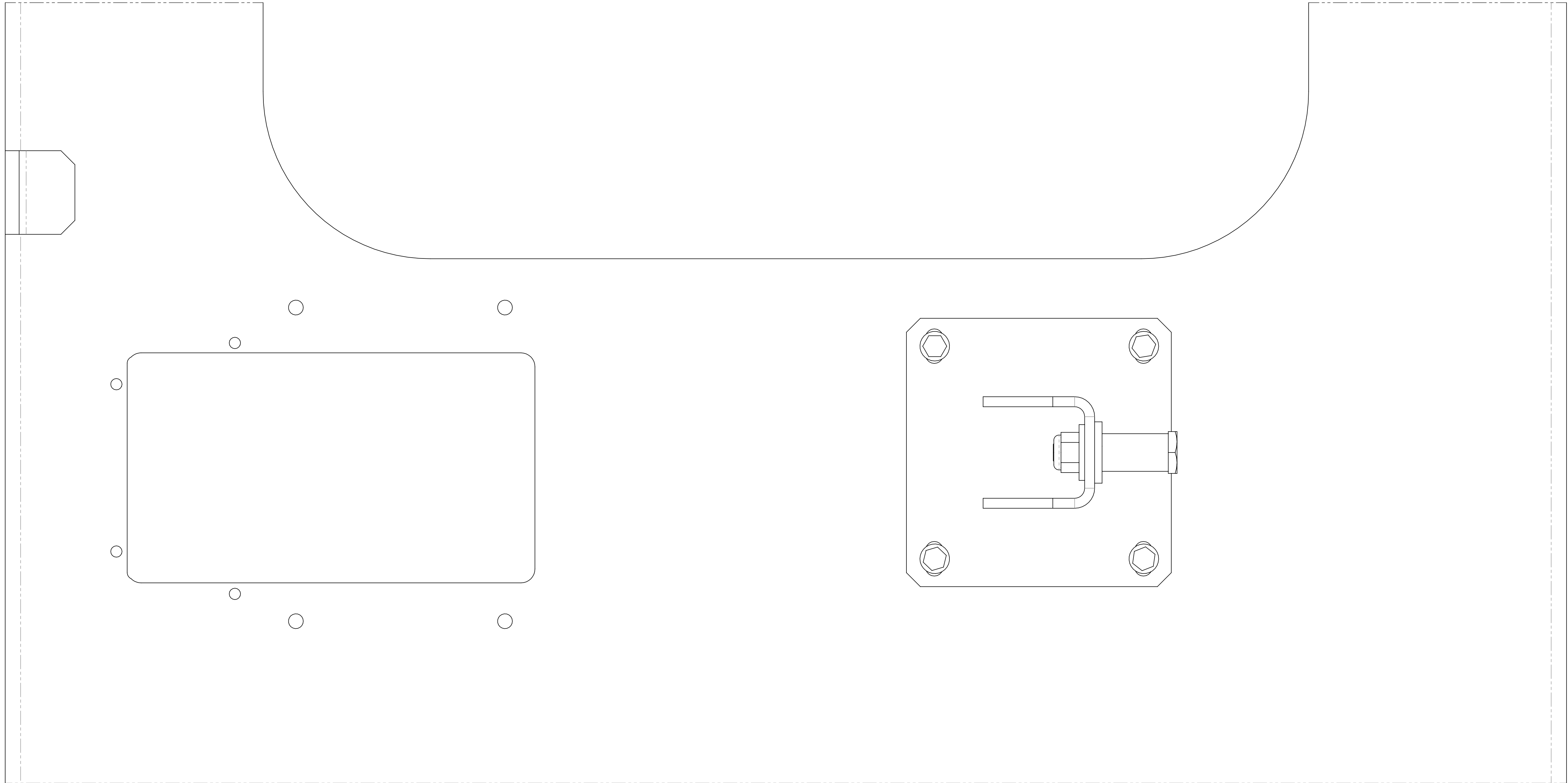
MATERIAL TYPE REFERENCE

USED ON	793191	SCALE	DATE
		1:8	07-17-23

DRN	KB	WEIGHT (LBS)	JOB NO	SHEET
		0.00	RD150002	3 OF 5

DWG SIZE	CATALOG	DWG NO
D	N	800413

SW MATERIAL: Material not specified



LEFT DOOR PANEL CUTOUT SHEET
PRINT FULL SCALE

REV	EN	DESCRIPTION	DATE	DRN
1	00231	NEW RELEASE	7-23	KPB
2	00300	DEL 324163(REF), ADD 782486(REF)	9-23	KPB
3	00470	ADD 324470(REF) 324471(REF) 464353(REF)	01-24	MAE

DIMENSION TOLERANCES UNLESS OTHERWISE SPECIFIED

LINEAR	.XX=±.03	.XXX=±.010	KERF ALLOW.
ANGULAR	X°=±1°	X.X°=±.5°	

SURFACE FINISH NOT TO EXCEED 125/√ SMOOTH ALL SHARP EDGES CLEAN ALL WELDS

THIS PRINT AND ALL INFORMATION WITHIN BELONGS TO RACINE RAILROAD PRODUCTS

RACINE RAILROAD PRODUCTS
RACINE, WISCONSIN USA

DESCRIPTION

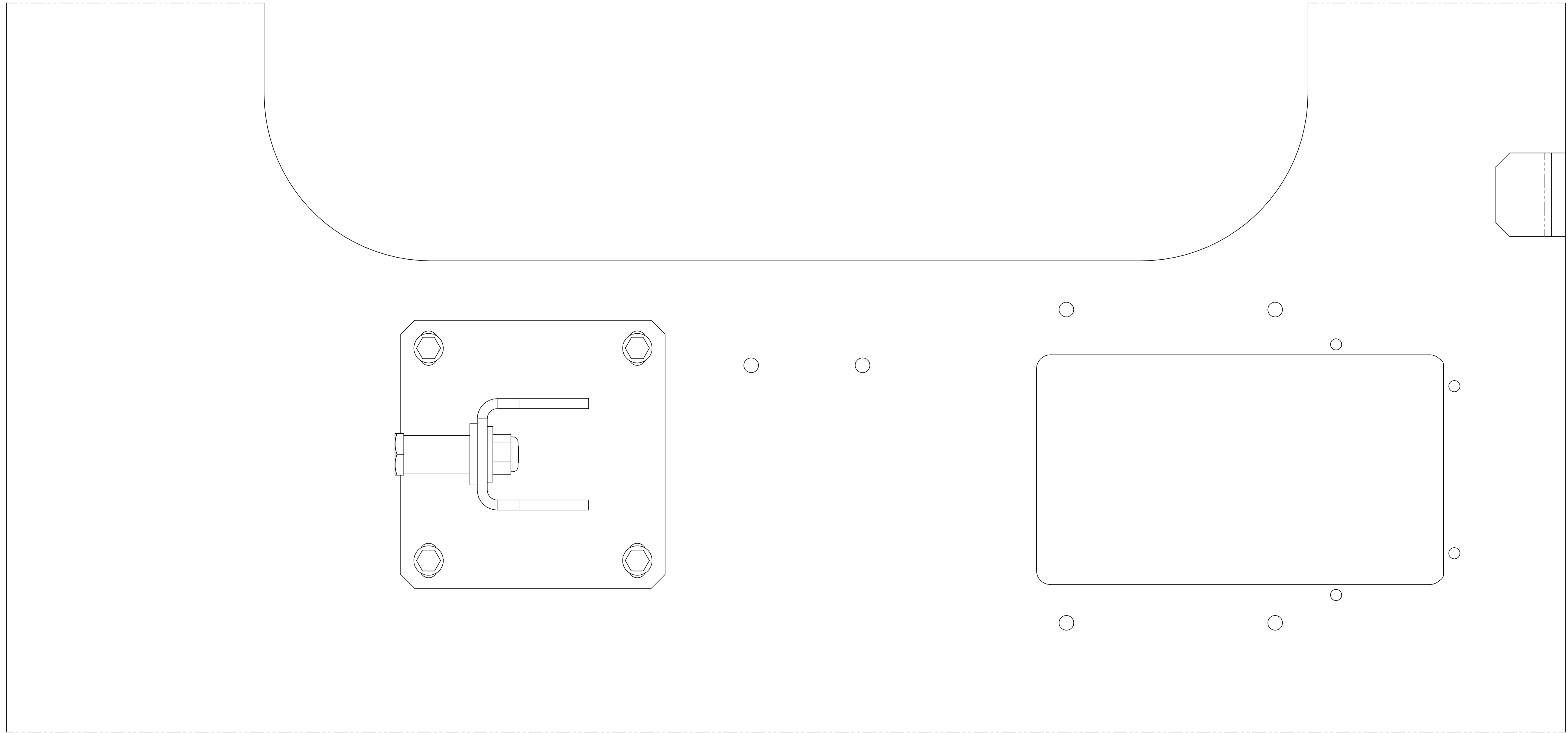
INSTRUCTIONS: DOOR LATCH
REPLACEMENT

MATERIAL TYPE REFERENCE

USED ON 793191 SCALE 1:8 DATE 07-17-23

DRN KB WEIGHT (LBS) 0.00 JOB NO RD150002 SHEET 4 OF 5

DWG SIZE D CATALOG N DWG NO 800413



RIGHT DOOR PANEL CUTOUT SHEET
PRINT FULL SCALE

REV	EN	DESCRIPTION	DATE	DRN
1	00231	NEW RELEASE	7-23	KPB
2	00300	DEL 324163(REF), ADD 782486(REF)	9-23	KPB
3	00470	ADD 324470(REF) 324471(REF) 464393(REF)	01-24	MAE

DIMENSION TOLERANCES UNLESS OTHERWISE SPECIFIED

LINEAR	.XX=±.03	.XXX=±.010	KERF ALLOW.
ANGULAR	X'=±1"	X.X'=±.5"	

SURFACE FINISH NOT TO EXCEED 125/√ SMOOTH ALL SHARP EDGES CLEAN ALL WELDS

THIS PRINT AND ALL INFORMATION WITHIN BELONGS TO RACINE RAILROAD PRODUCTS

RACINE RAILROAD PRODUCTS
RACINE, WISCONSIN USA

DESCRIPTION
INSTRUCTIONS: DOOR LATCH REPLACEMENT

MATERIAL TYPE REFERENCE

USED ON	793191	SCALE	DATE
		1:8	07-17-23

DRN	WEIGHT (LBS)	JOB NO	SHEET
KB	0.00	RD150002	5 OF 5

DWG SIZE	CATALOG	DWG NO
D	N	800413

SW MATERIAL: Material <not specified> ©_BRD_220930