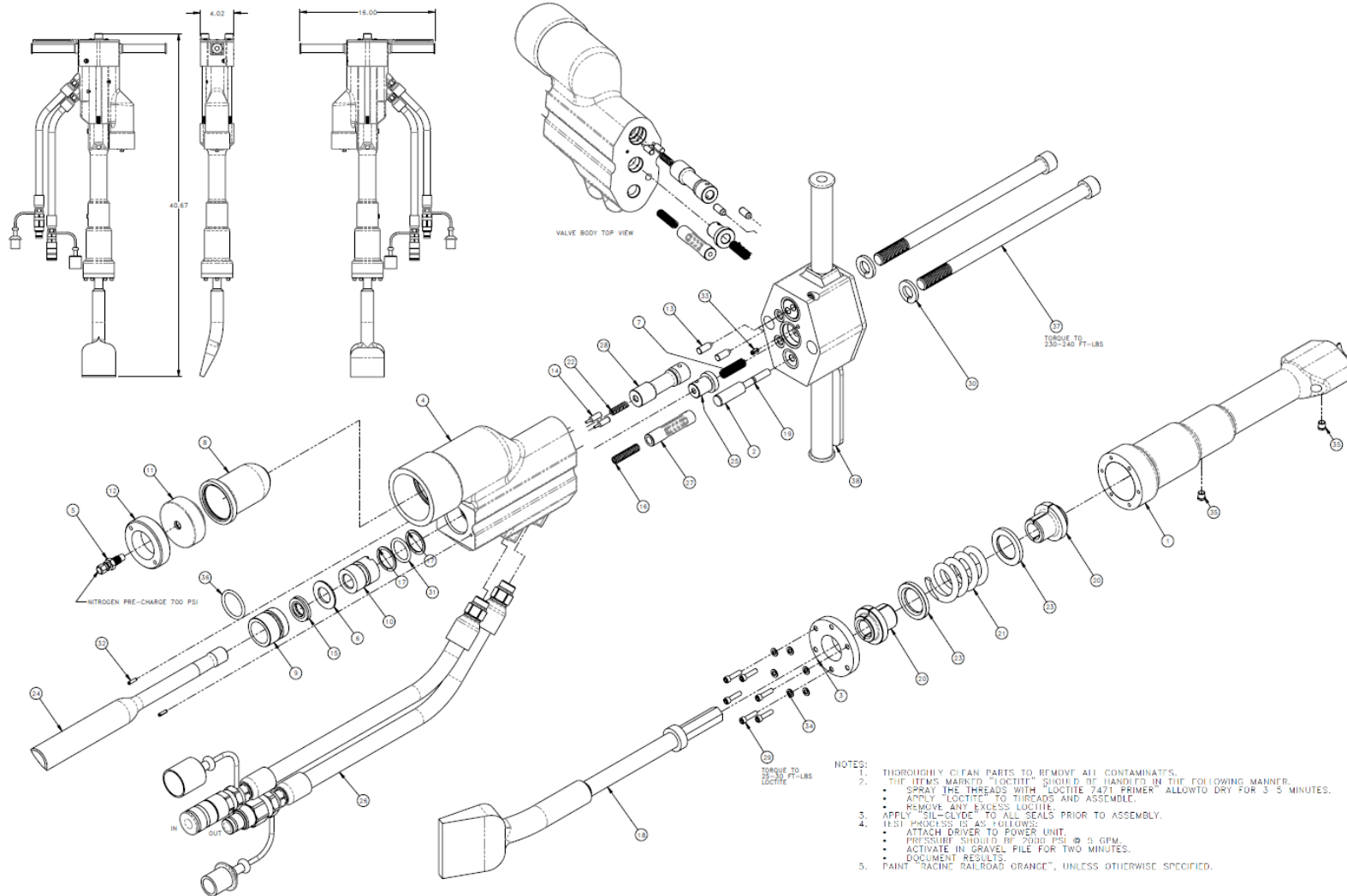




## Hydraulic Tie Tamper / RRP# 910119





**Hydraulic Tie Tamper / RRP# 910119 Parts List**

NO.	QTY	DESCRIPTION	PART NO.
1	1	HOUSING, LOWER	10000160
2	1	STEM, THROTTLE VALVE	10000256
3	1	PLATE, RETAINER	10000267
4	1	BODY, VALVE	10000268
5	1	VALVE, ACCUMULATOR FILL	10000298
6	1	RING, SEAL	25004424
7	1	SPRING, COMPRESSION	25004735
8	1	BLADDER	25005081
9	1	RETAINER, HAMMER SEAL	25005157
10	1	BUSHING, SPLIT	25005160
11	1	RETAINER, CORE	25005161
12	1	RETAINER, THREADED	25005162
13	2	PIN, UPPER SHUTTLE CONTROL	25005163
14	2	PIN, LOWER SHUTTLE CONTROL	25005164
15	1	SEAL, SHAFT: .669 ID	25005167
16	1	SPRING, COMPRESSION	25005169
17	2	RING, BACKUP: 1.02 ID X 1.25 OD X .04 W	25005172
18	1	CHISEL	25005245
19	1	O-RING, .176 ID X .070 W	25006376
20	2	RETAINER, SPRING SET	25015860
21	1	SPRING, COMPRESSION	25015868
22	1	SPRING, COMPRESSION	25015870
23	2	WASHER, SPRING RETAINER	25017422
24	1	PISTON, HAMMER	25020856
25	1	BUMPER, FLOW CONTROL	25020867
26	1	HOSES, WHIP	26002503
27	1	VALVE, THROTTLE	313955
28	1	SPOOL, CONTROL	313959
29	6	SCR, SOC: .25-20 X 1	400778
30	2	WASHER, LOCK: .62	400910
31	1	O-RING, .984 ID X .139 W	401269
32	2	PIN, ROLL .12 x .5	401712
33	1	PIN, ROLL .19 X .38	407464
34	6	WASHER, FLT: .25	408686
35	2	BREATHER, .12 NPT	459432
36	1	O-RING, 1.234 ID X .139 W	470494
37	2	SCR, SOC: .62-11 X 11	491834
38	1	HANDLE, ANTI-VIBRATION	714494

FOR SERVICE ONLY			
ITEM	QTY.	DESCRIPTION	PART NO.
1	1	KIT, 714435 SEAL	792666