



Service Bulletin

Maintenance of Way Equipment

Date: 05/17/2012

RRP Service Bulletin No: RRP SB248

Title: Hydraulic Oil Cooler Thermostatic Switch Replacement (RRP #466296).

Rating:

ALERT

(Potential Problem)

INFORMATION

(Action Is Optional)

DIRECTIVE

(Action Is Required)

PRODUCT IMPROVEMENT

(Enhance Product)

Product Series: All machines equipped with hydraulic oil cooling

Serial No:

Summary: The thermostatic switch for operating the oil cooler fan has been revised to a lower temperature setting, improving cooler performance.

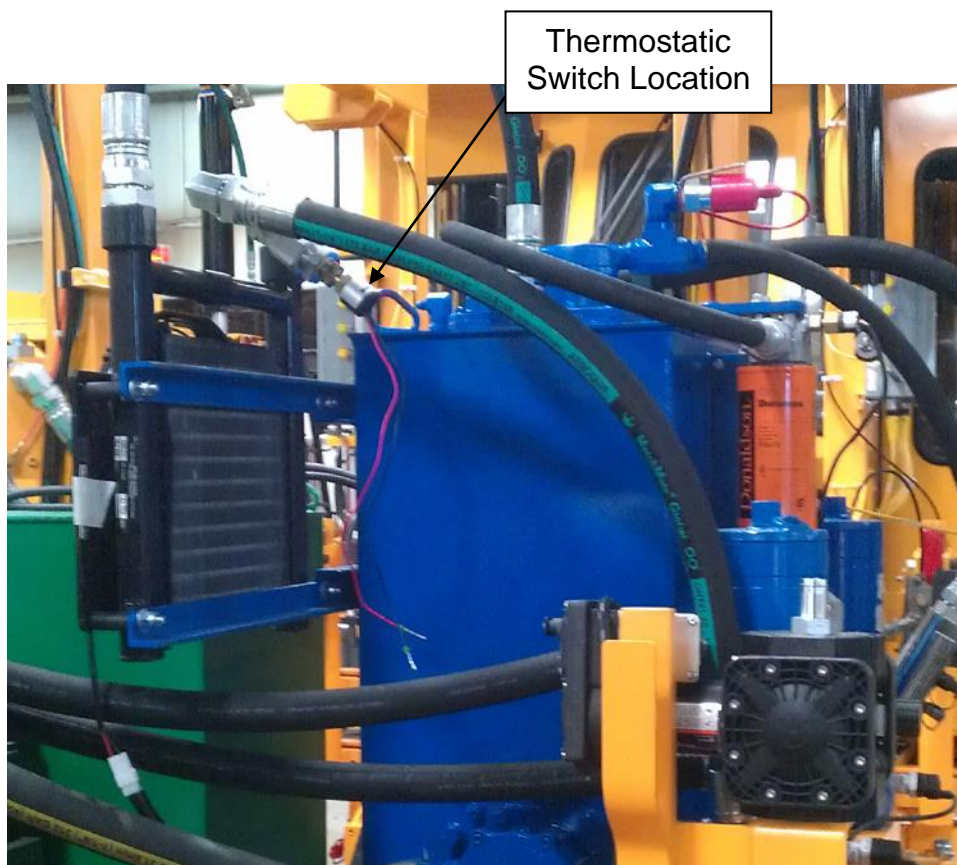
The old switch (RRP #466296) was set to 140° F. The new switch (using the same number RRP #466296) is set to 110° F.

Action: Disconnect and remove thermostatic switch, install and connect replacement.

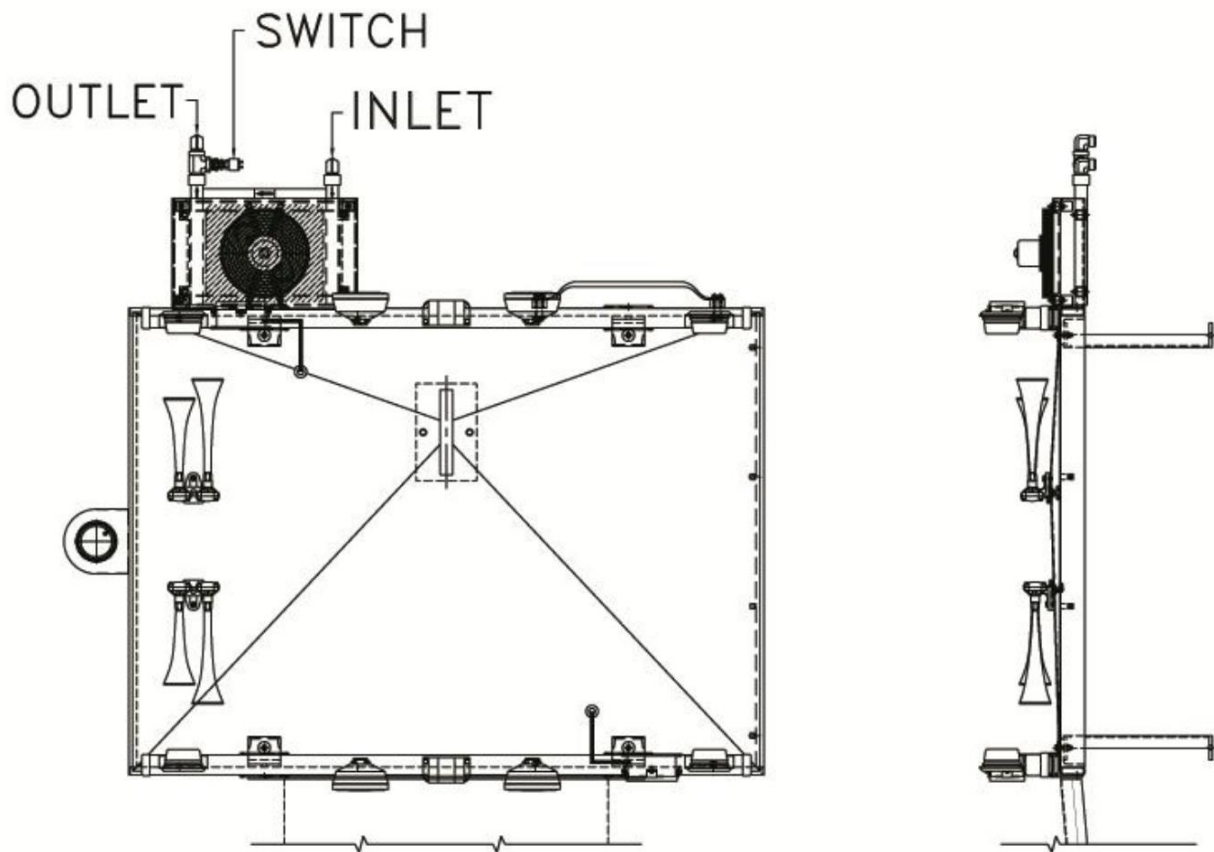
Completion: Continue with normal machine operation after completing this procedure



Thermostatic Switch



Hydraulic Reservoir Mounted Cooler



Roof Mounted Cooler



Contact: If you have any questions or we can be of any service, please contact the Racine Railroad Products service department at (262)-637-9681 or custserv@racinerailroad.com.

Safety Terms



DANGER indicates a hazardous operating procedure, practice, or condition. If the hazardous situation is not avoided death or serious injury will occur.



WARNING indicates a hazardous operating procedure, practice, or condition. If the hazardous situation is not avoided death or serious injury could occur.



CAUTION indicates a potentially hazardous operating procedure, practice, or condition. If the hazardous situation is not moderate or minor injury could occur.

Note: Indicates an essential operating procedure, practice, or condition. No personal injury is possible.