

# RACINE RAILROAD PRODUCTS

## Abrasive Wheel Case 16"



Stores up to ten (10) standard 16" x 1/8" wheels

## Protect your Investment

Nothing is more frustrating than throwing away money, especially when abrasive cut off wheels are left in the elements or stored incorrectly causing warp. This case was specifically designed to keep your wheels dry and secure so they are ready when you need them.

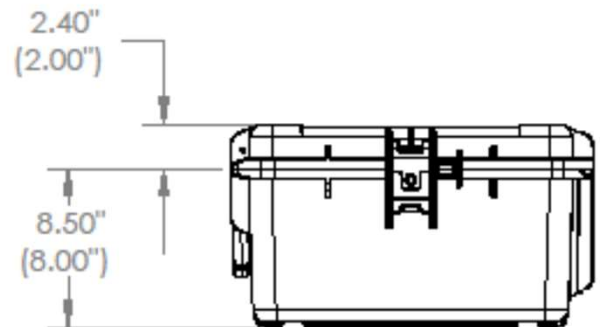
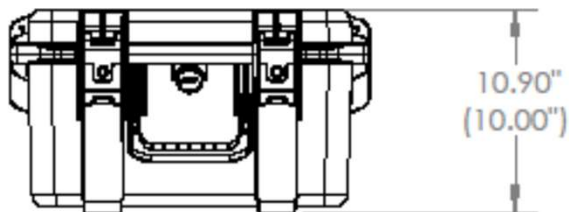
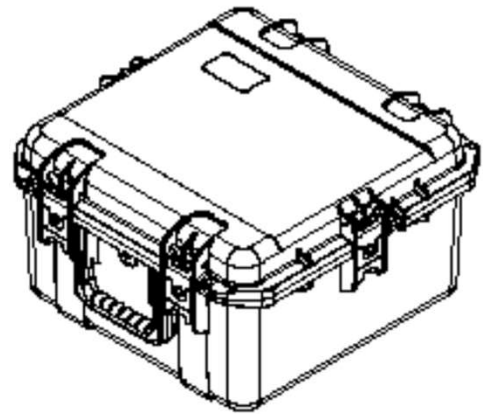
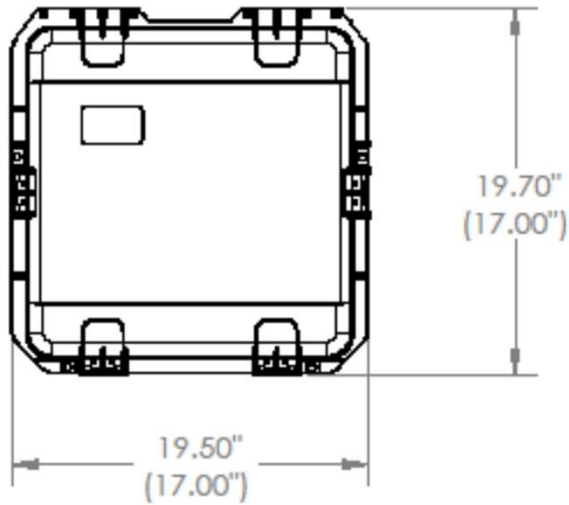
## Weather and temperature resistant

This high quality lockable wheel case is designed with a hard shell polycarbonate exterior, and fitted double lined durable padded interior. Comfortable carry handle and durable latches ensure years of use.

Well stored wheels are **SAFE** wheels!

See reverse side for details and specifications.

## Specifications



- Hinged Lid, Injection Molded, case.
- Automatic ambient pressure valve
- Molded-in padlock provisions
- Recessed co-molded rubberized plastic handles
- Trigger release latches
- Custom configured closed cell rigid Polyethylene foam interior.