



Contents

Common Spare Parts..... 1

Engine, Cylinder Cover 2

Ignition, Starter, Clutch..... 3

Intake, Exhaust 4

Fuel System 5

Chuck, Gear Case, Handle 6

Handle, Throttle Control, Tools 8

Carburetor 10

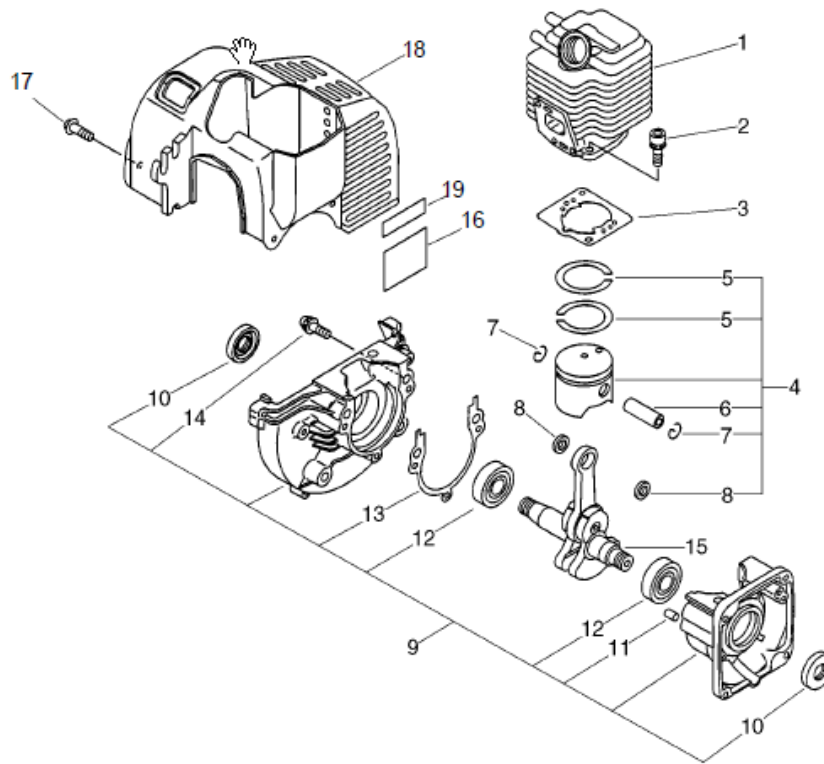
Common Spare Parts

Description	RRP Part Number
Spark Plug	469817
Ignition Coil	470314
Carburetor Set	469818
Throttle Lever	471277
Throttle Wire	470670
Clutch Case	467521



Engine, Cylinder Cover

Engine, Cylinder Cover



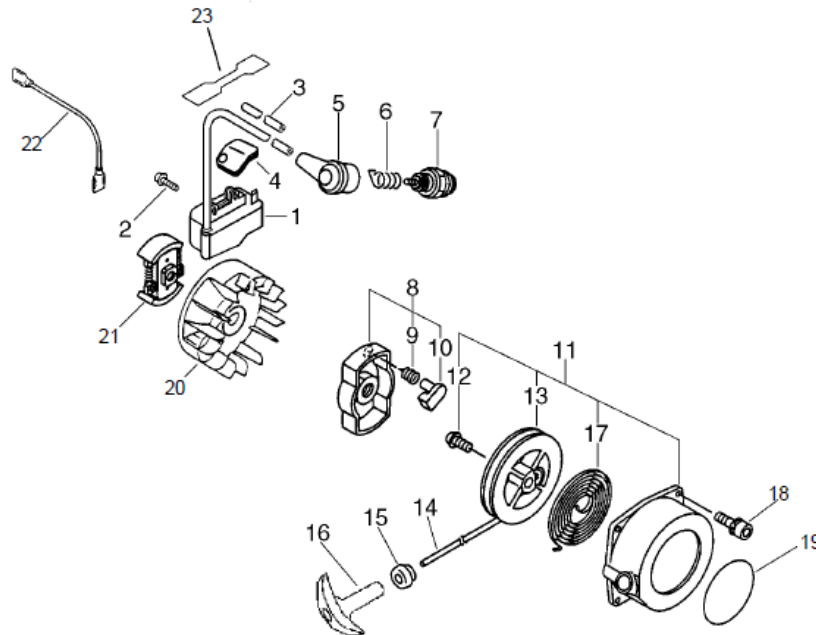
NO.	PART NUMBER	QTY.	DESCRIPTION
1		1	CYLINDER
2		2	SCREW - 5X22
3		1	GASKET, CYLINDER
4		1	PISTON KIT
5	+	2	RING, PISTON
6	+	1	PIN, PISTON
7	+	2	RING, RETAINING
8	+	2	SPACER, PISTON
9		1	CRANKCASE KIT
10	+	2	SEAL, OIL
11	+	4	PIN, DOWEL
12	+	2	BEARING, BALL - 6201
13	+	1	GASKET, CRANKCASE
14	+	3	SCREW - 5X28
15		1	CRANKSHAFT ASY
16		1	LABEL - CAUTION
17		2	SCREW - 4X12
18		1	COVER, ENGINE
19		1	LABEL - MODEL -- EDR-210

+ Denotes item is part of an assembly
++ Denotes item is part of a sub-assembly



Ignition, Starter, Clutch

Ignition, Starter, Clutch



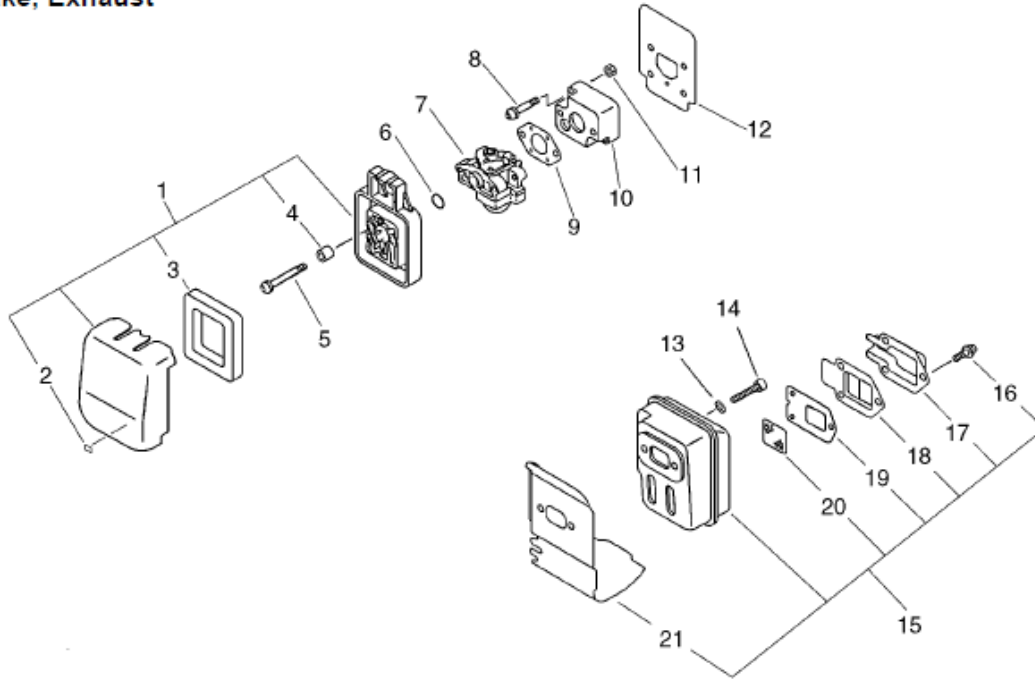
NO.	PART NUMBER	QTY.	DESCRIPTION
1		1	COIL, IGNITION
2		2	SCREW - 4X20
3		1	TUBE, INSULATOR
4		1	GROMMET
5		1	CAP, SPARK PLUG
6		1	TERMINAL, SPARK PLUG CAP
7		1	SPARK PLUG -- BPM-8Y
8		1	STARTER PAWL ASY
9	+	1	SPRING, RETURN
10	+	1	PAWL, STARTER
11		1	STARTER ASY
12	+	1	SCREW
13	+	1	REEL, ROPE
14	+	1	ROPE, STARTER
15	+	1	GUIDE, ROPE
16	+	1	GRIP, STARTER
17	+	1	SPRING, REWIND
18		4	SCREW - 4X16
19		1	LABEL - ECHO
20		1	FLYWHEEL
21		1	CLUTCH ASY
22		1	LEAD - GROUND
23		1	LABEL - SPARK PLUG -- BPM-8Y

+ Denotes item is part of an assembly
++ Denotes item is part of a sub-assembly



Intake, Exhaust

Intake, Exhaust

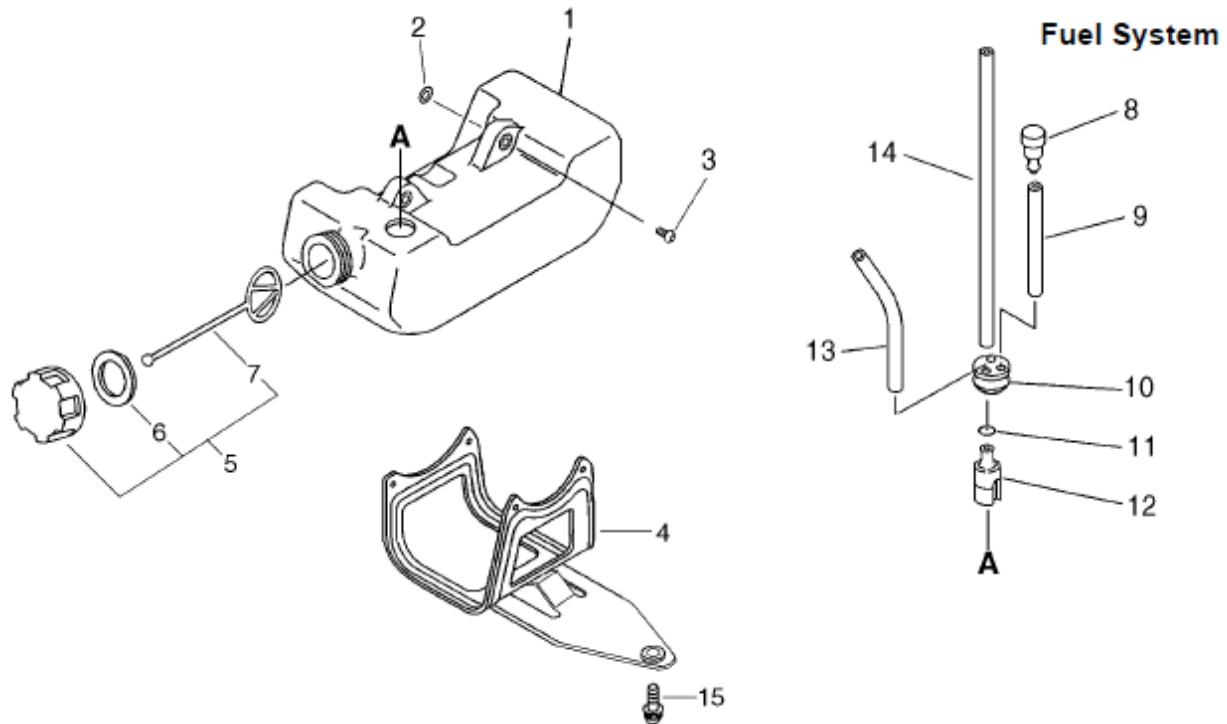


NO.	PART NUMBER	QTY.	DESCRIPTION
1		1	AIR CLEANER ASY
2	+	1	LABEL
3	+	1	FILTER, AIR
4	+	2	SLEEVE
5		2	SCREW - 5X64
6		1	O-RING - 15
7		1	CARBURETOR -- WYL-180A
8		2	SCREW - 5X22
9		1	GASKET, INTAKE
10		1	INSULATOR, INTAKE
11		2	NUT - 5
12		1	SHIELD, INTAKE
13		2	WASHER - 5
14		2	SCREW - 5X55
15		1	MUFFLER ASY
16	+	3	SCREW - 4X10
17	+	1	GUIDE, EXHAUST - OUTER
18	+	1	GUIDE, EXHAUST - INNER
19	+	1	GASKET, EXHAUST
20	+	1	SCREEN, SPARK ARRESTER
21	+	1	GASKET, EXHAUST

+ Denotes item is part of an assembly
++ Denotes item is part of a sub-assembly



Fuel System



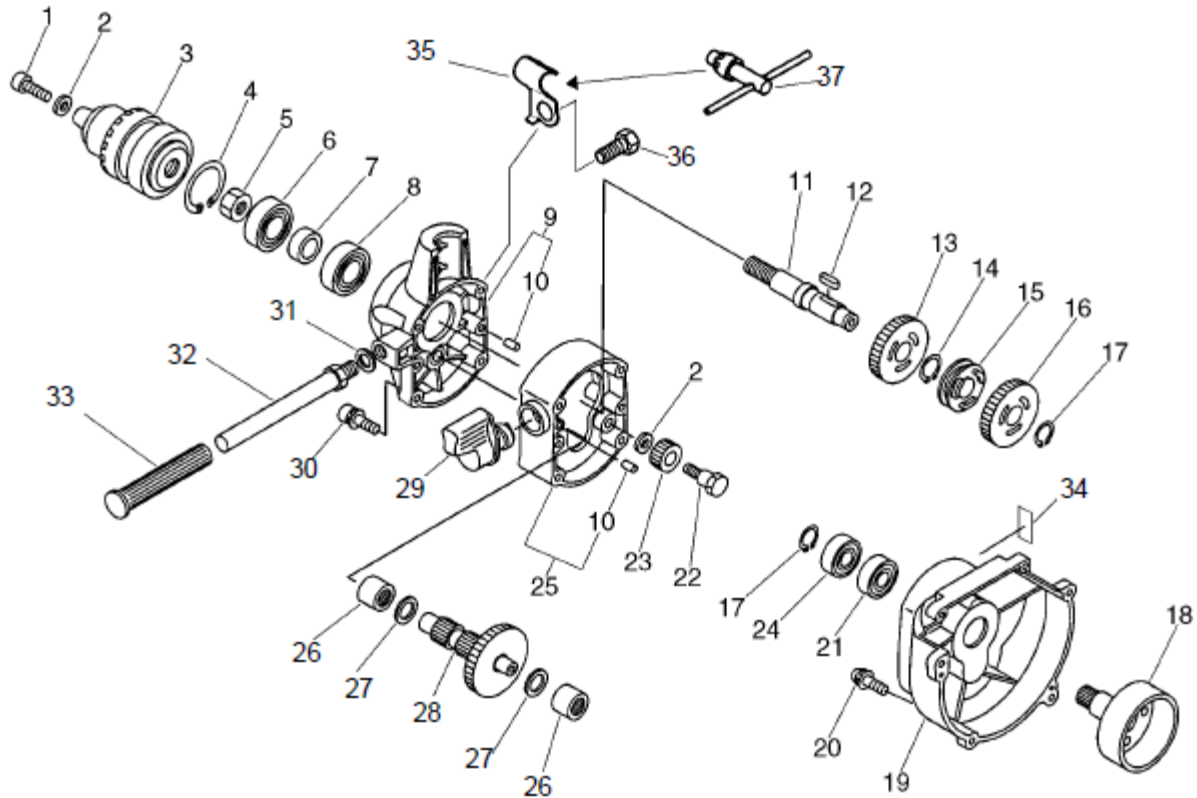
NO.		PART NUMBER	QTY.	DESCRIPTION
1			1	TANK, FUEL
2			2	WASHER - 5
3			2	SCREW - 5X16
4			1	STAND
5			1	CAP ASY
6	+		1	GASKET
7	+		1	CONNECTOR, CAP
8			1	VENT ASY
9			1	PIPE, VENT - 3X5X30
10			1	GROMMET, FUEL
11			1	CLIP
12			1	FILTER, FUEL
13			1	PIPE, RETURN - 3X6X80
14			1	PIPE, PRIMER - 3X5X160
15			1	SCREW - 5X16

+ Denotes item is part of an assembly
++ Denotes item is part of a sub-assembly



Chuck, Gear Case, Handle

Chuck, Gear Case, Handle





RACINE RAILROAD PRODUCTS

Gas Tie Drill
RRP Part# 910168
(2.2011)

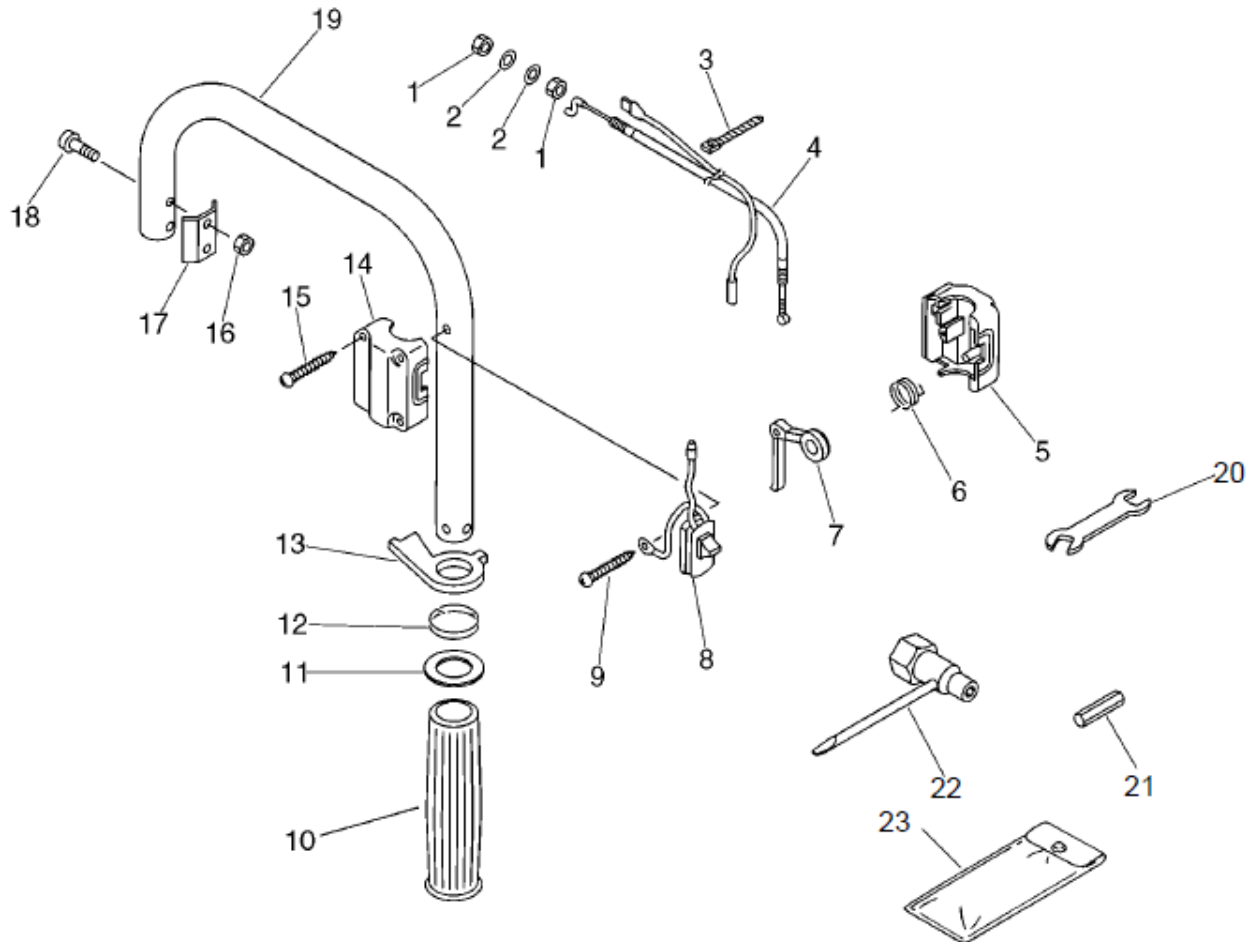
NO.	PART NUMBER	QTY.	DESCRIPTION
1		1	SCREW - 6X20
2		2	WASHER - 6
3		1	CHUCK
4		1	RING, RETAINING - 32
5		1	NUT - 12
6		1	BEARING, BALL - 6002
7		1	COLLAR
8		1	BEARING, BALL - 6002
9		1	GEAR CASE ASY
10	+	2	PIN, DOWEL
11		1	SHAFT, AXLE
12		1	KEY, WOODRUFF - 4X16
13		1	GEAR, SPUR
14		1	RING, RETAINING - 15
15		1	NAIL, CLUTCH
16		1	GEAR, SPUR
17		2	RING, RETAINING - 12
18		1	DRUM, CLUTCH
19		1	CASE, FAN
20		4	SCREW - 4X16
21		1	BEARING, BALL - 6001
22		1	BOLT, CLUTCH
23		1	GEAR, SPUR
24		1	BEARING, BALL - 6001
25		1	CASE, GEAR
26		2	BEARING, NEEDLE
27		2	WASHER
28		1	GEAR, SHAFT
29		1	LEVER, CLUTCH
30		4	SCREW - 5X55
31		1	WASHER - 10
32		1	HANDLE - FRONT
33		1	GRIP, HANDLE
34		1	LABEL - CAUTION -- HOT
35		1	SPRING, FLAT
36		1	BOLT - 10X15
37		1	KEY, CHUCK

+ Denotes item is part of an assembly
++ Denotes item is part of a sub-assembly



Handle, Throttle Control, Tools

Handle, Throttle Control, Tools





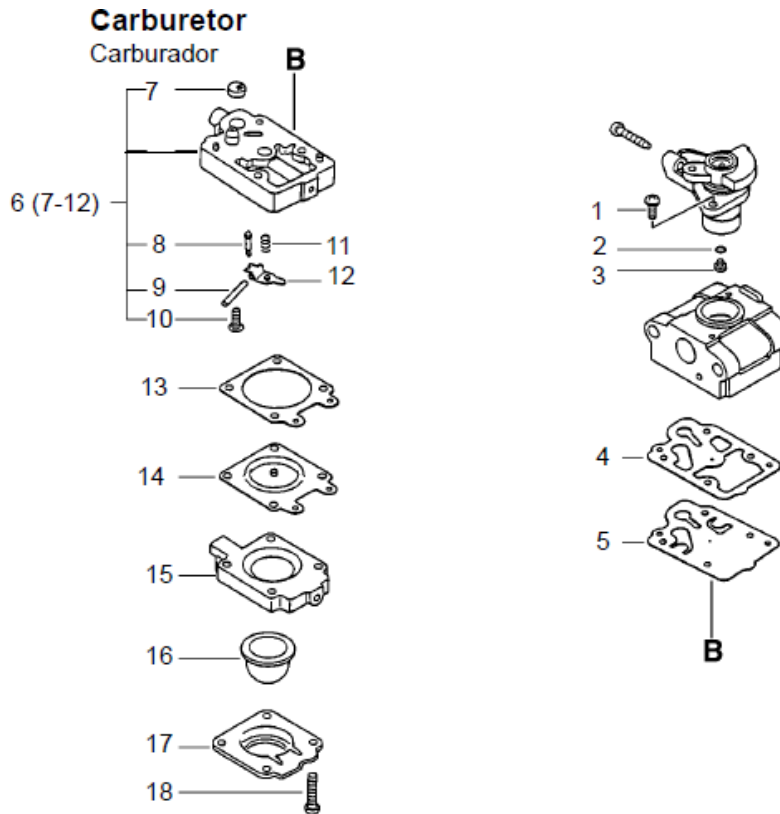
NO.	PART NUMBER	QTY.	DESCRIPTION
1		2	NUT - 6
2		2	WASHER - 6
3		1	TIE, CABLE
4		1	CONTROL CABLE ASY
5		1	BRACKET, THROTTLE CONTROL - RIGHT
6		1	SPRING, TRIGGER
7		1	TRIGGER, THROTTLE
8		1	IGNITION SWITCH ASY
9		1	SCREW - 4X30
10		1	GRIP, HANDLE - RIGHT
11		1	SPACER
12		1	SPRING, THROTTLE LOCK
13		1	LOCKOUT, TRIGGER
14		1	BRACKET, THROTTLE CONTROL - LEFT
15		4	SCREW - 4X25
16		2	LOCKNUT - 5
17		1	PLATE, HANDLE
18		2	SCREW - 5X35
19		1	HANDLE - REAR
20		1	OPEN END WRENCH
21		1	HEX BAR
22		1	WRENCH 10 X 19
23		1	BAG, TOOL

+ Denotes item is part of an assembly

++ Denotes item is part of a sub-assembly



Carburetor



NO.		PART NUMBER	QTY.	DESCRIPTION
			1	CARBURETOR -- WYL-180A
1	+		2	SCREW, VALVE
2	+		1	O-RING
3	+		1	JET
4	+		1	GASKET, PUMP
5	+		1	DIAPHRAGM, PUMP
6	+		1	BASE, PURGE
7	++		1	STRAINER
8	++		1	VALVE, INLET NEEDLE
9	++		1	PIN, METERING LEVER
10	++		1	SCREW, METERING LEVER PIN
11	++		1	SPRING, METERING LEVER
12	++		1	LEVER, METERING
13	+		1	GASKET, METERING
14	+		1	DIAPHRAGM, METERING
15	+		1	BASE, PURGE
16	+		1	BULB, PURGE
17	+		1	RETAINER, PURGE BULB
18	+		4	SCREW, PUMP COVER

+ Denotes item is part of an assembly
++ Denotes item is part of a sub-assembly